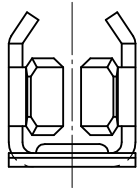
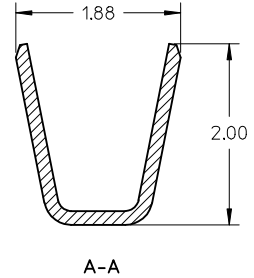
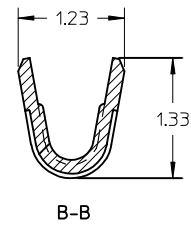
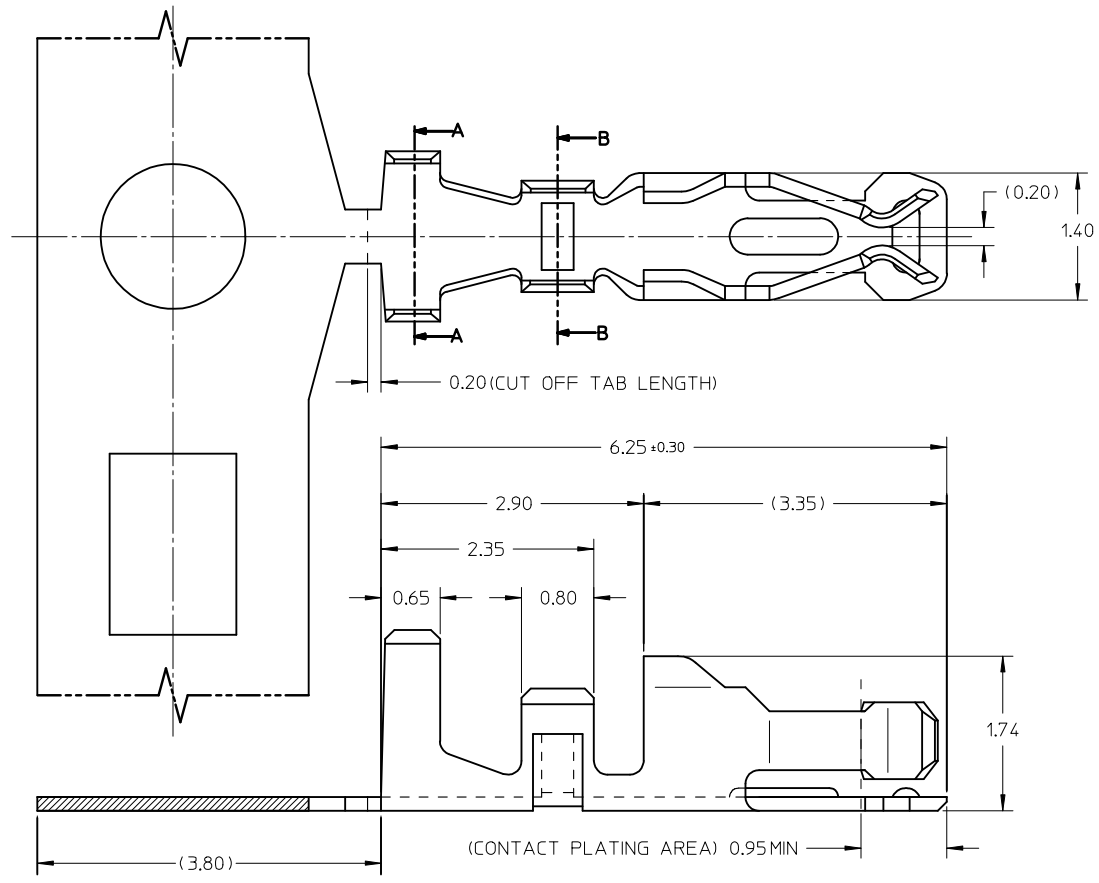


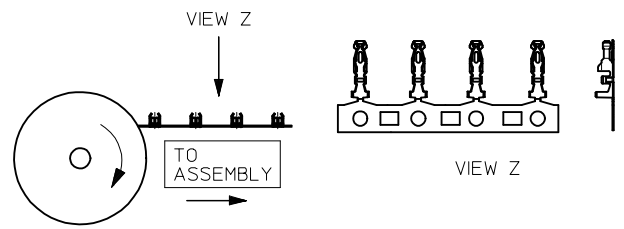
10 9 8 7 6 5 4 3 2 1

ENG. NO.		CONTACT PLATING (NICKEL OVERALL 2μm MIN)
FORM: LOOSE	FORM: CHAIN	
50394-8100	50394-8051	0.384μm GOLD MIN
50394-8200	50394-8052	0.764μm GOLD MIN
50394-8400	50394-8054	GOLD FLASH 0.05-0.1254μm
50394-8500	50394-8055	2.504μm MATTE TIN MIN



- NOTES :
1. APPLICABLE HOUSING : 51110-***1
: 51110-**5*
: 151100-00**

WINDING DIRECTION



ADD TIN PLATING EC NO: S2016-0736 DRW:NFC500 CHKD:CGOH APPR:KHLIM	2016/02/17	DESCRIPTION	QUALITY SYMBOLS	GENERAL TOLERANCES (UNLESS SPECIFIED)		DIMENSION STYLE		SCALE	DESIGN UNITS	THIRD ANGLE PROJECTION
	2016/02/14			mm	INCH	MM ONLY	NTS	METRIC		
REV	B2			4 PLACES	± ---	± ---	DRAWN BY	DATE	TITLE	
				3 PLACES	± ---	± ---	S.Q	1994/04/20	SALES DRAWING 2.0MM GRID W TO B CONN. CRIMP TERMINAL	
				2 PLACES	± 0.20	± ---	CHECKED BY	DATE		
				1 PLACE	± ---	± ---	EDPOH	1994/04/27		
				0 PLACE	± ---	± ---	APPROVED BY	DATE		
							LBLEE	2013/11/13		
							MATERIAL NO.		DOCUMENT NO.	SHEET NO.
							SEE TABLE		SD-50394-8XXX	1 OF 1
							THIS DRAWING CONTAINS INFORMATION THAT IS PROPRIETARY TO MOLEX INCORPORATED AND SHOULD NOT BE USED WITHOUT WRITTEN PERMISSION			

9 8 7 6 5 4 3 2 1