

**PLEASE CHECK WWW.MOLEX.COM FOR LATEST PART INFORMATION**

**Part Number:** [0908003026](#)  
**Status:** **Active**  
**Description:** 1.27mm (.050") Pitch Picoflex® PF-50 Header, Right Angle, Low Profile, with Kinked PC Tails, 0.76µm (30µ") Gold (Au) Selective Plating, 26 Circuits

**Documents:**

[3D Model](#)  
[Drawing \(PDF\)](#)

[RoHS Certificate of Compliance \(PDF\)](#)

**General**

Product Family	PCB Headers
Series	<a href="#">90800</a>
Application	Wire-to-Board
Product Name	Picoflex®

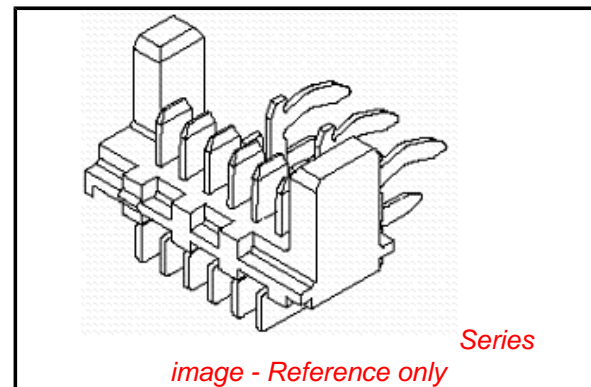
**Physical**

Breakaway	No
Circuits (Loaded)	26
Color - Resin	Black
Durability (mating cycles max)	100
First Mate / Last Break	No
Glow-Wire Compliant	No
Guide to Mating Part	No
Keying to Mating Part	None
Lock to Mating Part	Yes
Material - Metal	Brass
Material - Plating Mating	Gold
Material - Resin	Polyester
Number of Rows	1
Orientation	Vertical
PCB Locator	No
PCB Retention	Yes
PCB Thickness Recommended (in)	0.063 In
PCB Thickness Recommended (mm)	1.60 mm
Packaging Type	Tube
Pitch - Mating Interface (in)	0.050 In
Pitch - Mating Interface (mm)	1.27 mm
Pitch - Term. Interface (in)	0.050 In
Pitch - Term. Interface (mm)	1.27 mm
Plating min: Mating (µin)	30.4
Plating min: Mating (µm)	0.76
Plating min: Termination (µin)	4
Plating min: Termination (µm)	0.1
Polarized to Mating Part	Yes
Polarized to PCB	No
Shrouded	Open Ends
Stackable	No
Surface Mount Compatible (SMC)	No
Temperature Range - Operating	-40°C to +105°C
Termination Interface: Style	Through Hole - Kinked Pin

**Electrical**

Current - Maximum per Contact	1.2A
Voltage - Maximum	250V AC/DC

**Material Info**



**EU RoHS**

**ELV and RoHS  
Compliant**  
**REACH SVHC  
Contains SVHC: No**  
**Halogen-Free  
Status**  
**Not Reviewed**

**China RoHS**



**Need more information on product  
environmental compliance?**

Email [productcompliance@molex.com](mailto:productcompliance@molex.com)  
 For a multiple part number RoHS Certificate of Compliance, [click here](#)

Please visit the [Contact Us](#) section for any non-product compliance questions.

**Search Parts in this Series**

[90800Series](#)

**Mates With**

[90327 IDT Connector](#)

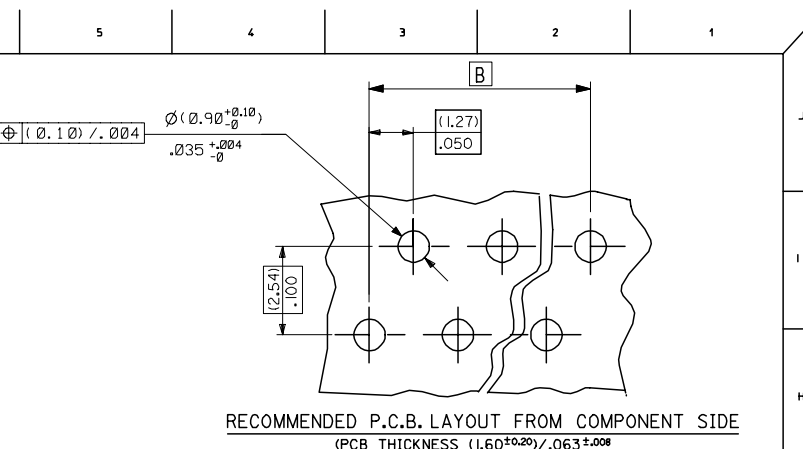
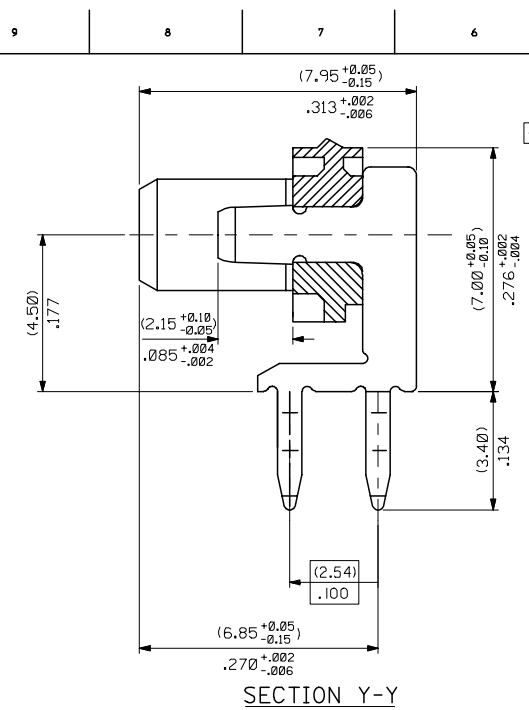
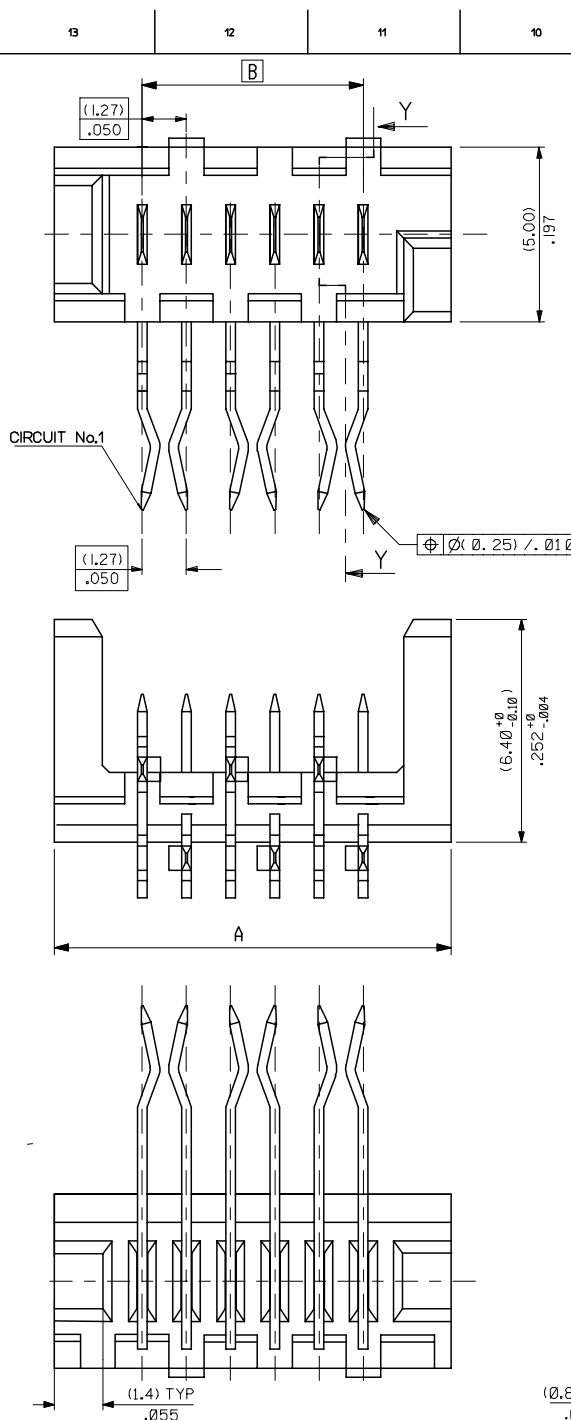
**Reference - Drawing Numbers**

Sales Drawing

SDA-90800E

This document was generated on 04/23/2010

**PLEASE CHECK [WWW.MOLEX.COM](http://WWW.MOLEX.COM) FOR LATEST PART INFORMATION**



90800 - \* 0 \*\*  
 CIRCUIT SIZE  
 0= (3-5UM) / 120-200UIN TIN VERSION  
 3= (0.76UM) / 30UIN GOLD VERSION

PART NO.	NO. OF CKTS	DIMN. A	DIMN. B	QTY PER TUBE	TOOLED
90800-026	26	(36.80)/1.449	(31.75)/1.250	14	YES
90800-024	24	(34.26)/1.349	(29.21)/1.150	15	YES
90800-022	22	(31.72)/1.249	(26.67)/1.050	16	YES
90800-020	20	(29.18)/1.149	(24.13)/.950	18	YES
90800-018	18	(26.64)/1.049	(21.59)/.850	20	YES
90800-016	16	(24.10)/.949	(19.05)/.750	22	YES
90800-014	14	(21.56)/.849	(16.51)/.650	24	YES
90800-012	12	(19.02)/.749	(13.97)/.550	28	YES
90800-010	10	(16.48)/.649	(11.43)/.450	32	YES
90800-008	8	(13.94)/.549	(8.89)/.350	38	YES
90800-006	6	(11.40)/.449	(6.35)/.250	46	YES
90800-004	4	(8.86)/.349	(3.81)/.150	59	YES

NOTES:  
 1) MATERIAL: HOUSING\*POLYESTER PBT 15% G.F.,UL 94 V-0, BLACK.  
 TERMINAL- CARTRIDGE BRASS (0.28)/.011 REF THICK  
 2) SEE PRODUCT SPECIFICATION PS-99020-0011.

ADD CKT.1 INDICATOR EC NO: E2007-0083 DRW: MASZK/LEW/LZ 2006/09/11 CHK: J. DENNEHY 2006/09/11 APPR: J. DENNEHY 2006/09/13	QUALITY SYMBOLS ▽=0 ▽=0	GENERAL TOLERANCES (UNLESS SPECIFIED) mm INCH 4 PLACES ± --- ± --- 3 PLACES ± --- ± .004 2 PLACES ± 0.10 ± --- 1 PLACE ± --- ± --- ANGULAR ±1/2°	DIMENSION STYLE MM ONLY DRAWN BY DATE PK 1994/01/28 CHECKED BY DATE J. DENNEHY APPROVED BY DATE J. DENNEHY	SCALE 10:1 DESIGN UNITS METRIC THIRD ANGLE PROJECTION	TITLE RIGHT ANGLE STRAGGERED PICO FLEX HEADER ASSY (1.25)/.050 CENTRES MOLEX INCORPORATED MATERIAL NO. SDA-90800E DOCUMENT NO.	SHEET NO. 1 OF 1	
	DRAFT WHERE APPLICABLE MUST REMAIN WITHIN DIMENSIONS		SEE CHART	THIS DRAWING CONTAINS INFORMATION THAT IS PROPRIETARY TO MOLEX INCORPORATED AND SHOULD NOT BE USED WITHOUT WRITTEN PERMISSION			