

DASH NO.	M CODE	MADE FROM
----------	--------	-----------

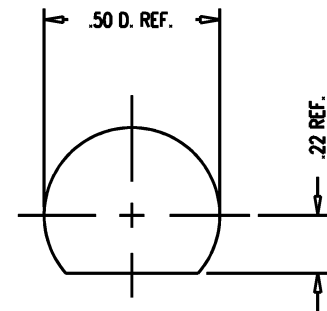
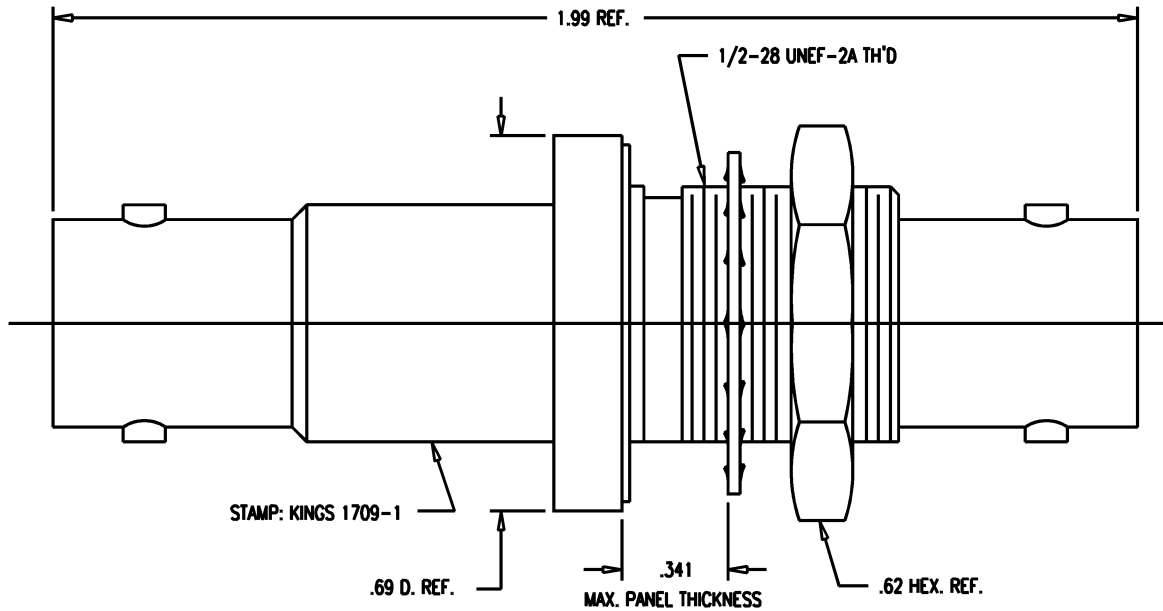
GSD

1709-1

REVISIONS

ISSUE	CHANGES
3	CN 36706 C REDRAWN KH 11/30/95

KAM6256



MOUNTING HOLE

- NOTES:
- INTERFACE PER MIL-STD-348, FIG. 314-1.
 - MATERIALS:
GASKET: SILICONE RUBBER, ZZ-R-765
INSULATOR: TEFLON, ASTM-D-4894
LOCKWASHER: PHOSPHOR BRONZE, ASTM-B-103
ALL OTHER METAL PARTS: BRASS, ASTM-B16
 - FINISHES:
CENTER CONTACT: GOLD PLATE PER MIL-G-45204
ALL OTHER METAL PARTS: KINGS TARNISH RESISTANT NICKEL FINISH (TR-5)
 - ELECTRIAL CHARACTERISTICS:
NOMINAL IMPEDANCE: NON-CONSTANT
VOLTAGE RATING: 3500 VRMS
5000 VDC

SCALE 4:1

APPROX SURFACE AREA

USED ON

REF:

ADPT M-M, BKHD, SHV

DRAWN KH 04/30/92

DESIGN AR 10/01/92

APPR. DATE

KINGS
ELECTRONICS CO., INC.
TUCKAHOE, NEW YORK 10707

GSD

1709-1