

PLEASE CHECK WWW.MOLEX.COM FOR LATEST PART INFORMATION

Part Number: [0192150045](#)
Status: **Active**
Description: VersaKrimp™ Butt Splice for 4 AWG Wire

Documents:

[Drawing \(PDF\)](#) [RoHS Certificate of Compliance \(PDF\)](#)

Agency Certification

CSA LR18689
 UL E32244

General

Product Family Splices
 Series [19215](#)
 Crimp Quality Equipment Yes
 Mil-Spec N/A
 Product Name Butt, VersaKrimp™

Physical

Barrel Type Closed - Brazed
 Insulation None
 Packaging Type Bag
 Temperature Range - Operating 149°C
 Wire Size AWG 4
 Wire Size mm² 16.80 - 26.60

Electrical

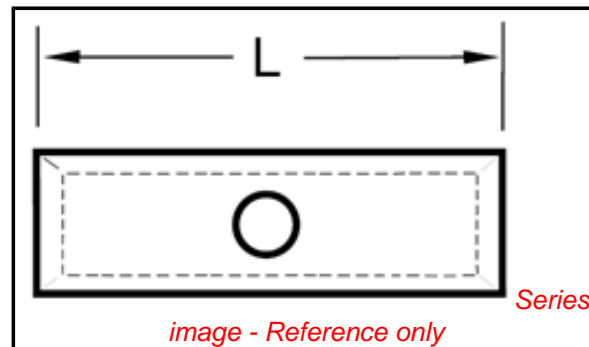
Voltage - Maximum 600V

Material Info

Old Part Number F-364

Reference - Drawing Numbers

Sales Drawing CD31003



EU RoHS

**ELV and RoHS
 Compliant**

REACH SVHC

Not Reviewed

Halogen-Free

Status

Not Reviewed

China RoHS



**Need more information on product
 environmental compliance?**

Email productcompliance@molex.com
 For a multiple part number RoHS Certificate of
 Compliance, [click here](#)

Please visit the [Contact Us](#) section for any
 non-product compliance questions.

Search Parts in this Series

[19215Series](#)

Application Tooling | FAQ

*Tooling specifications and manuals are
 found by selecting the products below.
 Crimp Height Specifications are then
 contained in the Application Tooling
 Specification document.*

Global

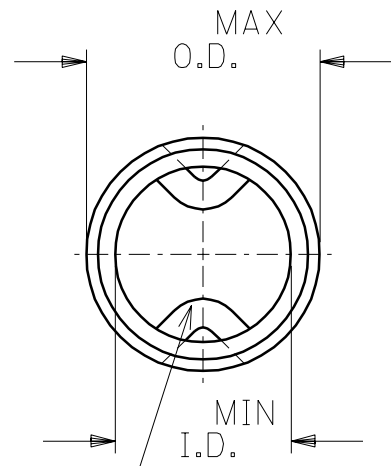
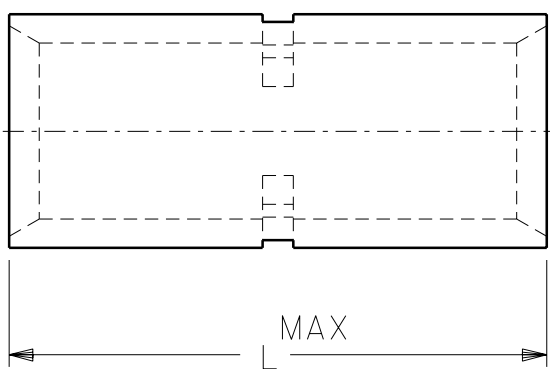
Description	Product #
Manual Putt Pump Hydraulic System, Die set required	0192860117
Die Set (large) for the HHLS Hydralic Crimper	0192900007
Hand Crimp Tool	0640013900
Manual tool for Crimping non-insulated 8AWG thru 4/0 Terminals	0192940008
Putt Pump Dieless Head System	0192860065

This document was generated on 03/16/2010

PLEASE CHECK WWW.MOLEX.COM FOR LATEST PART INFORMATION

PART NO.	WIRE SIZE	I.D. MIN.	O.D. MAX.	"L" MAX.	WIRE STOP QTY.
D-354	8	.165	.295	.864	ONE
E-362	6	.230	.374	1.045	ONE
F-364	4	.277	.457	1.155	ONE
G-372	2	.357	.538	1.280	ONE
H-383	1/0	.439	.620	1.440	TWO
J-388	2/0	.496	.697	1.440	TWO
K-393	3/0	.554	.760	1.540	TWO
L-378	4/0	.621	.860	1.540	TWO

DRWG. NO. CD-31003



(A)
WIRE STOP SEE CHART FOR QUANTITY

A	ADDED WIRE STOP INFORMATION ETC60355 3/11 RCM
LTR.	REVISIONS

DIMENSIONS SHOWN (METRIC) INCH	
UNLESS OTHERWISE SPECIFIED TOLERANCES: ANGULAR $\pm 1/2^\circ$	
	INCH METRIC
3 PLACE	$\pm .005$ $\pm \text{---}$
2 PLACE	$\pm .01$ ± 0.13
1 PLACE	$\pm \text{---}$ ± 0.25
DRAFT WHERE APPLICABLE MUST REMAIN WITHIN DIMENSIONS	
DRWG. BY RCM	CHK'D. BY JM
APP'D. BY FP	SCALE NO:NE

REVISE ONLY ON CAD SYSTEM	
TITLE VERSAKRIMP BUTT CONNECTORS	
PINELLAS PARK, FLA. 33781 U.S.A.	
SHEET NO.	DATE
	94/03/17
PART NO.	DRWG. NO.
SEE CHART	CD-31003
FILE NAME CD13003 CST	THIS DRAWING CONTAINS INFORMATION THAT IS PROPRIETARY TO MOLEX-ETC INC. AND SHOULD NOT BE USED WITHOUT WRITTEN PERMISSION.
DIV.	SIZE
	A