

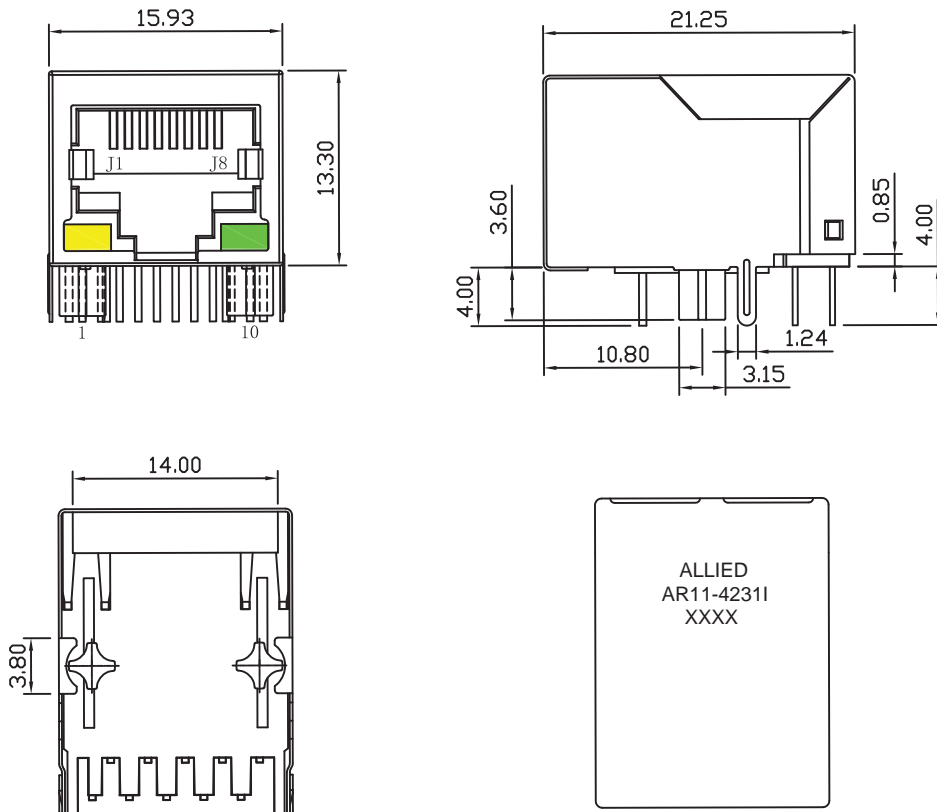
- 10/100 Base-T
- Designed to meet IEEE802.3af
- PoE up to 350mA
- RJ45 jack cavity conforms to FCC rules and regulations Part 68, SUB Part F
- Industrial Temp: -40°C to +85°C

Electrical Specifications @ 25°C						
Part Number	OCL(uH Min) @ 100kHz, 100mVac With 8mA DC Bias	Turns Ratio chip: cable (± 2%)	Cross Talk (dB Min)			HI-POT (Test) (Vrms Min)
			1-30MHz	30-60MHz	60-100MHz	
AR11-4231I	350	1CT:1CT	-40	-35	-30	1500

Electrical Specifications @ 25°C							
Part Number	Insertion Loss (dB Max)	Return Loss (dB Min)				CMR (dB Min)	
		1-10MHz	30-50MHz	30-60MHz	60-100MHz	1-50MHz	50-150MHz
AR11-4231I	-1.0	-18	-16	-12	-10	-30	-20

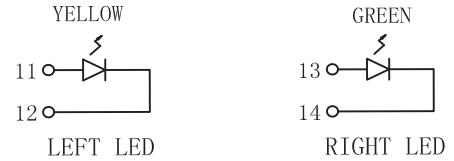
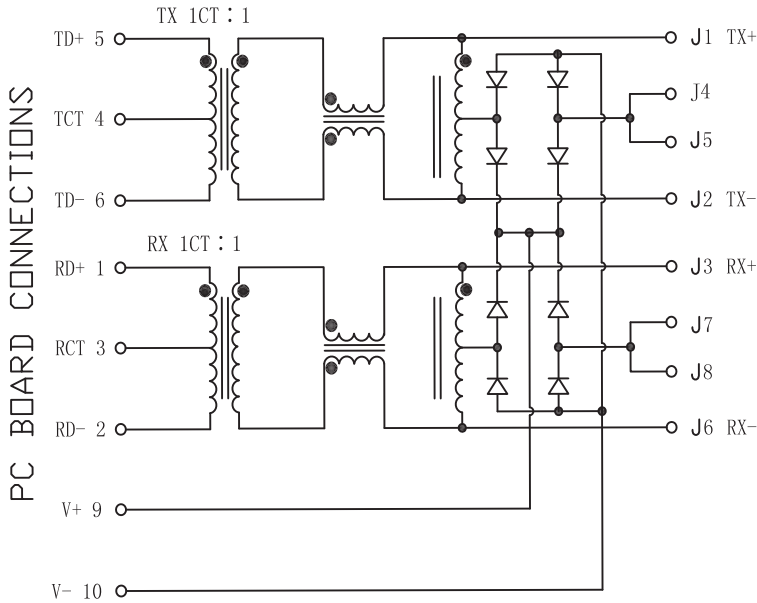
All specifications subject to change without notice.

## MECHANICAL



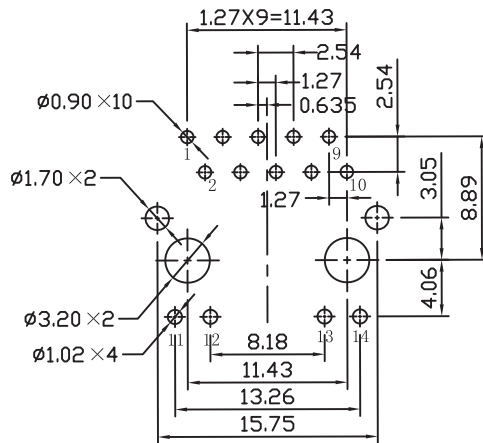


**SCHEMATICS**



Emitting Color	$\lambda$ p(nm)	V <sub>F</sub> @I <sub>F</sub> =20mA	I <sub>R</sub> @V <sub>R</sub> =5V
GREEN	565	1.8~2.6V	10 $\mu$ A max
YELLOW	585	1.8~2.6V	10 $\mu$ A max

**PCB LAYOUT**



**NOTES**

Designed to support application, such as SOHO (ADSL modems), LAN-on-Motherboard (LOM), hub and Switches.  
 Designed for PoE, IEEE802.3af applications  
 Power on used or unused pairs for up to 350mADC.  
 Connector Materials:  
 Housing: Thermoplastic PBT+30%G. F UL94V-0  
 Contact: Phosphor Bronze C5210R-EH Thickness=0.35mm  
 Pins: Brass C2680R-H Thickness=0.35mm  
 Shield: SUS 201-1/2H Thickness=0.2mm  
 Contact plating: Gold 6 micro-inches min. In contact area.