

**NEW**

# KSC-OF Series Overload Friendly Tact Switch



### Features/Benefits

- Extended cage for mechanical stop
- Silicone actuator
- J termination
- Tape & reel
- IP67

### Typical Applications

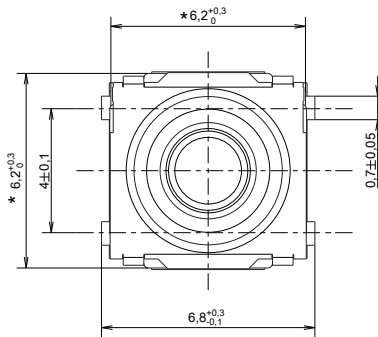
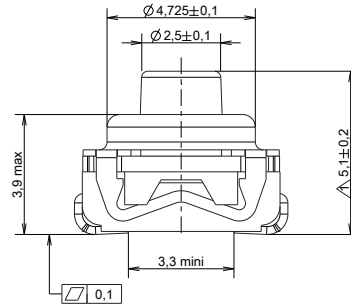
- Industrial electronics
- Consumer
- Medical equipment
- Automotive interior

| Type                | Force (N)   | Life    | Travel (mm)   |
|---------------------|-------------|---------|---------------|
| KSC421J 70SH LFS OF | 1.65+/-0.45 | 300,000 | 0.5+/-0.25    |
| KSC441J 70SH LFS OF | 4.0+/-1.0   | 300,000 | 0.65+0.3/-0.2 |

- Life time is 300,000 cycles at 20N actuation force
- The extended cage can be used as mechanical stop for the activation button
- Overload value reaches 200N (one time)

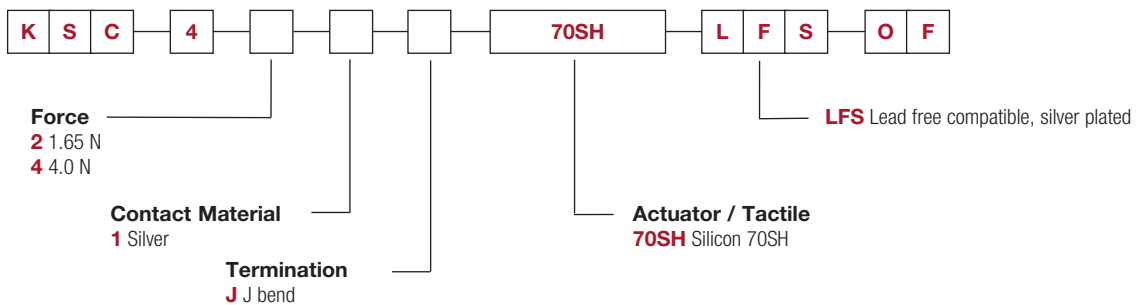
### Packaging

In reels of 1,000 pieces.  
 Dimensions of reels according to EIA RS481 or IEC 2863.  
 External diameter 330 ± 2 mm



### How To Order

Our easy build-a-switch concept allows you to mix and match options to create the switch you need. To order, select desired option from each category and place it in the appropriate box.  
 For any part number different from those listed above, please consult your local representative.



Dimensions are shown: mm  
 Specifications and dimensions subject to change

B  
Tactile Switches