

PLEASE CHECK WWW.MOLEX.COM FOR LATEST PART INFORMATION

Part Number: [0190730026](#)
Status: **Active**
Description: Avikrimp™ Ring Tongue Terminal for 18 to 22 AWG Wire, Stud Size 1/4", Length 26.90mm (1.059"), Mylar Tape Carrier

Documents:

[Drawing \(PDF\)](#) [RoHS Certificate of Compliance \(PDF\)](#)

Agency Certification

CSA LR18689
 UL E32244

General

Product Family Ring and Spade Terminals
 Series [19073](#)
 Crimp Quality Equipment Yes
 Mil-Spec N/A
 Product Name Avikrimp™
 Type Ring

Physical

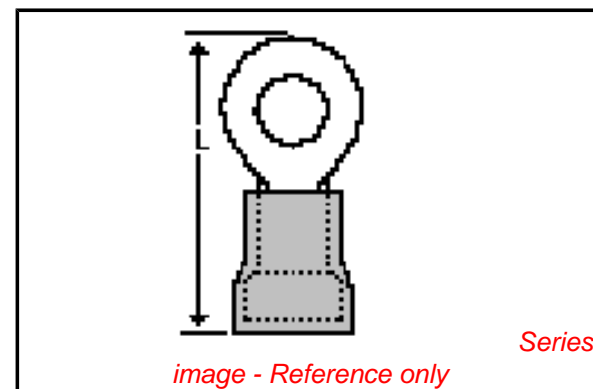
Barrel Type Closed
 Flammability 94V-0
 Insulation Nylon (PA)
 Material - Plating Mating Tin
 Packaging Type Adhesive Tape on Reel
 Stud Size 1/4" (M6)
 Wire Insulation Diameter 3.60mm (.142") max.
 Wire Size AWG 18, 20, 22
 Wire Size mm² 0.35 - 0.80

Material Info

Old Part Number AA-822-14T

Reference - Drawing Numbers

Sales Drawing SD-19073-003



EU RoHS

ELV and RoHS Compliant
REACH SVHC Contains SVHC: No
Halogen-Free Status
Not Reviewed

China RoHS



Need more information on product environmental compliance?

Email productcompliance@molex.com
 For a multiple part number RoHS Certificate of Compliance, [click here](#)

Please visit the [Contact Us](#) section for any non-product compliance questions.

Search Parts in this Series

[19073Series](#)

Application Tooling | [FAQ](#)

Tooling specifications and manuals are found by selecting the products below. Crimp Height Specifications are then contained in the Application Tooling Specification document.

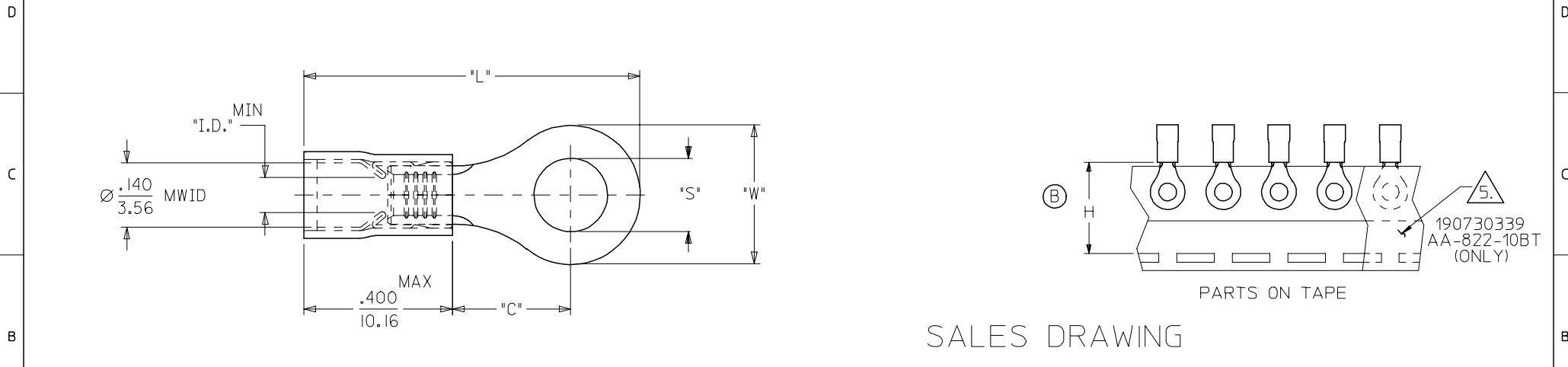
Global

| Description | Product # |
|---|----------------------------|
| Crimp Dies for MTA-100 Tape Applicator used in 3BF Press, MTA-105 Tape Applicator used in TM-2000™ Press, and ATP-301 Air Crimping Press for Mylar Tape Mounted Terminals | 0192880023 |
| Mini-Mac™ Applicator | 0638851300 |

This document was generated on 05/10/2010

PLEASE CHECK WWW.MOLEX.COM FOR LATEST PART INFORMATION

| MATERIAL NUMBER | ALTERNATE NUMBER | STUD SIZE | "S" | "W" | "C" | "L" | "I.D." | H ±.010/0.25 | PACKAGING |
|-----------------|------------------|-----------|------------|-----------|-----------|------------|------------|-----------------|-------------|
| 190730022 | AA-822-10 | 10 | .198(5.03) | .47(11.9) | .39(9.8) | 1.06(26.9) | .062(1.57) | N/A | LOOSE PIECE |
| 190730024 | AA-822-14 | 1/4 | .265(6.73) | .47(11.9) | .39(9.8) | 1.06(26.9) | .062(1.57) | | |
| 190730027 | AA-822-56 | 5/16 | .328(8.33) | .47(11.9) | .39(9.8) | 1.06(26.9) | .062(1.57) | | |
| 190730029 | AA-826-10 | 10 | .198(5.03) | .54(13.6) | .55(14.0) | 1.26(32.0) | .054(1.37) | | |
| 190730030 | AA-826-14 | 1/4 | .265(6.73) | .54(13.6) | .55(14.0) | 1.26(32.0) | .054(1.37) | | |
| 190730032 | AA-826-38 | 3/8 | .390(9.91) | .54(13.6) | .55(14.0) | 1.26(32.0) | .054(1.37) | | |
| 190730034 | AA-826-56 | 5/16 | .328(8.33) | .54(13.6) | .55(14.0) | 1.26(32.0) | .054(1.37) | TAPE MOUNTED | |
| 190730023 | AA-822-10T | 10 | .198(5.03) | .47(11.9) | .39(9.8) | 1.06(26.9) | .062(1.57) | | |
| 190730339 | AA-822-10BT | 10 | .198(5.03) | .47(11.9) | .39(9.8) | 1.06(26.9) | .062(1.57) | | |
| 190730026 | AA-822-14T | 1/4 | .265(6.73) | .47(11.9) | .39(9.8) | 1.06(26.9) | .062(1.57) | | |
| 190730028 | AA-822-56T | 5/16 | .328(8.33) | .47(11.9) | .39(9.8) | 1.06(26.9) | .062(1.57) | | |
| 190730319 | AA-826-10T | 10 | .198(5.03) | .54(13.6) | .55(14.0) | 1.26(32.0) | .054(1.37) | | |
| 190730031 | AA-826-14T | 1/4 | .265(6.73) | .54(13.6) | .55(14.0) | 1.26(32.0) | .054(1.37) | | |
| 190730033 | AA-826-38T | 3/8 | .390(9.91) | .54(13.6) | .55(14.0) | 1.26(32.0) | .054(1.37) | | |
| 190730035 | AA-826-56T | 5/16 | .328(8.33) | .54(13.6) | .55(14.0) | 1.26(32.0) | .054(1.37) | | |



SALES DRAWING

NOTES:
 1. MATERIAL: COPPER
 PLATING: ELECTROPLATE TIN
 2. FERRULE: TIN-PLATED BRASS
 3. INSULATION: RED NYLON
 4. MWID=MAXIMUM WIRE INSULATION DIA.
 5. INTERLEAF PAPER (191660010, 24613) IS REQUIRED ON 190730339, AA-822-10BT REELS.

| | | | | | | |
|--|-----------------|--|---|---|--------------|------------------------|
| ADDED 190730339 EC NO: ETC2005-0137 DRW/BENDERLE 2005/02/15 CHK/DK/DEROSS 2005/02/15 APPR:RDEROSS 2005/02/15 | QUALITY SYMBOLS | GENERAL TOLERANCES (UNLESS SPECIFIED) | DIMENSION STYLE | SCALE | DESIGN UNITS | THIRD ANGLE PROJECTION |
| | ▽=0 ▽=0 | mm INCH 4 PLACES ± --- ± --- 3 PLACES ± --- ± --- 2 PLACES ± --- ± --- 1 PLACE ± --- ± --- ANGULAR ± ---° | IN/MM | NONE | INCH | |
| | DESCRIPTION | DRAWN BY | DATE | TITLE | | |
| | | HEB | 2000/09/08 | RING TONGUE TERMINAL 22-18 AVIKRIMP, 800-SERIES | | |
| | APPROVED BY | DATE | MATERIAL NO. | | | SHEET NO. |
| | RWD | 2000/09/08 | SEE CHART | | | 1 OF 1 |
| | | | DOCUMENT NO. | | | |
| | | | SD-19073-003 | | | |
| | | | THIS DRAWING CONTAINS INFORMATION THAT IS PROPRIETARY TO MOLEX INCORPORATED AND SHOULD NOT BE USED WITHOUT WRITTEN PERMISSION | | | |