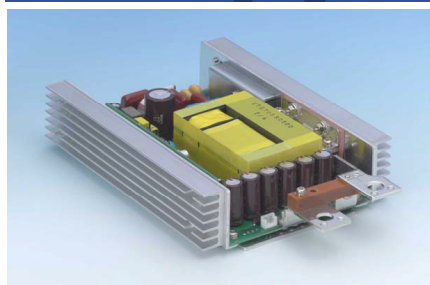




ETF-SC Series

300W DC/DC



FEATURES

- Light weight, compact size
- High efficiency, high reliability
- Over voltage and over current protection
- **Isolated Power Supply**



	MODEL/CHANNEL	Unit	ETF3.3-SC300-U1	ETF05-SC300-U1	ETF12-SC300-U1	ETF15-SC300-U1	ETF24-SC300-U1	ETF48-SC300-U1	
OUTPUT (Single)	Output Voltage	Vdc	3.3	5	12	15	24	48	
	Output Current	A	60	60	25	20	12.5	6.3	
	Line Regulation	mV	20	40	48	60	120	192	
	Load Regulation	mVp	40	45	48	60	135	192	
	Ripple and Noise	mVp	150		220	250	340	580	
	Voltage Adjustment Range	-	±10% of rated output voltage						
	Rise Time	-	500mS (maximum) at rated input/output conditions						
	Temp. Coefficient	°C	0.9	1.5	3.6	4.5	7.5	14.4	
	Drift	mV	20	40	48	60	135	192	
	Dynamic Load Regulation	mV	250	250	600	750	1,200	1,200	
Efficiency	%	94	95	96	96.5	96	96		
INPUT	Input Voltage	V	300	200 to 380	300				
	Input Current; 5V Op Model	A	-	DC1.9 to 0.9	-				
	Input Voltage Range	-	200 to 400	-	200 to 400				
Protection	Over Current Protection	A	Constant current drop, automatic recovery after removing the overload						
	Parallel Operation	-	Turn on at least 1 minute after the input voltage shutdown to restart						
	Remote Sense	-	Available (with load line form output terminal, connect + and - sensing terminals to + and - terminals of load line, respectively)						
	Safety	-	-						
	Ref. MTBF	-	216,719	211,516	218,020	229,959	253,120	237,643	

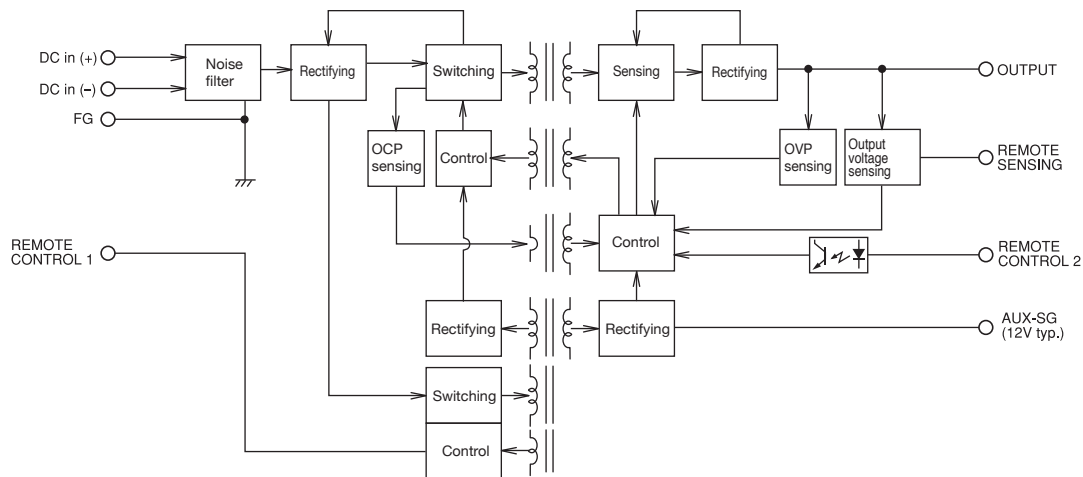




	MODEL/CHANNEL	Unit	
Environment	Operating Temperature	°C	-10 to +71°C without thermal shock (see output derating table)
	Operating Humidity	%	20-90%/RH (non-condensing)
	Storage Temperature	°C	-20 to +85°C
	Withstand Voltage Primary-Secondary	-	AC3000V for 1 minute without defect, faradic current=10mA
	Primary-Frame Ground	-	AC2000V for 1 minute without defect, faradic current=10mA
	Secondary-Frame Ground	-	AC1000V for 1 minute without defect, faradic current=20mA
	Isolation Resistance Primary - Secondary - Case	-	100MΩ (minimum) by DC500V insulation tester
	Shock	-	196m/s ²
	Cooling	-	Convection cooling
	Vibration	-	5-10Hz: 10mm double amplitude, 10-55Hz: 19.6m/s ² , each along X, Y, Z axes (non-operating)
	Storage Humidity	-	10 to 90% RH (non-condensing)
Dimension	Size(WxHxD) / Weight	mm/g	115W×155L×38H Open-frame type/430g

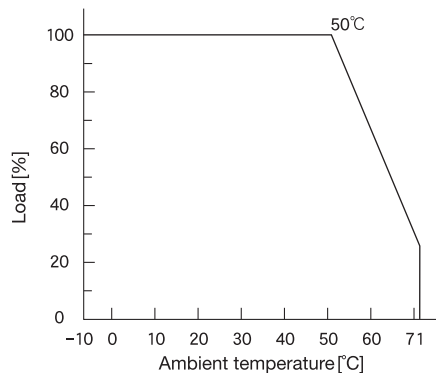
Block Diagram

300W



Temperature Derating Curve

300W



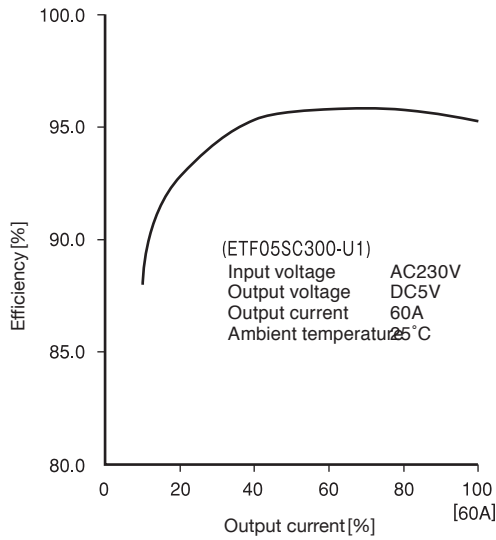


Output Current/Overcurrent

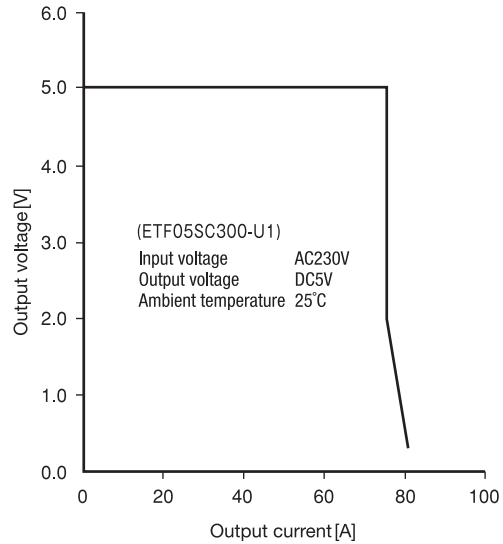
300W

(300W), Single output

■ Output current and efficiency curve



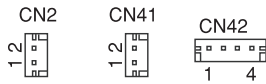
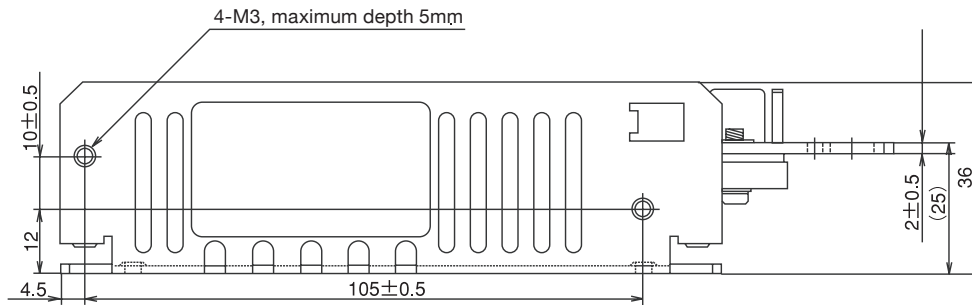
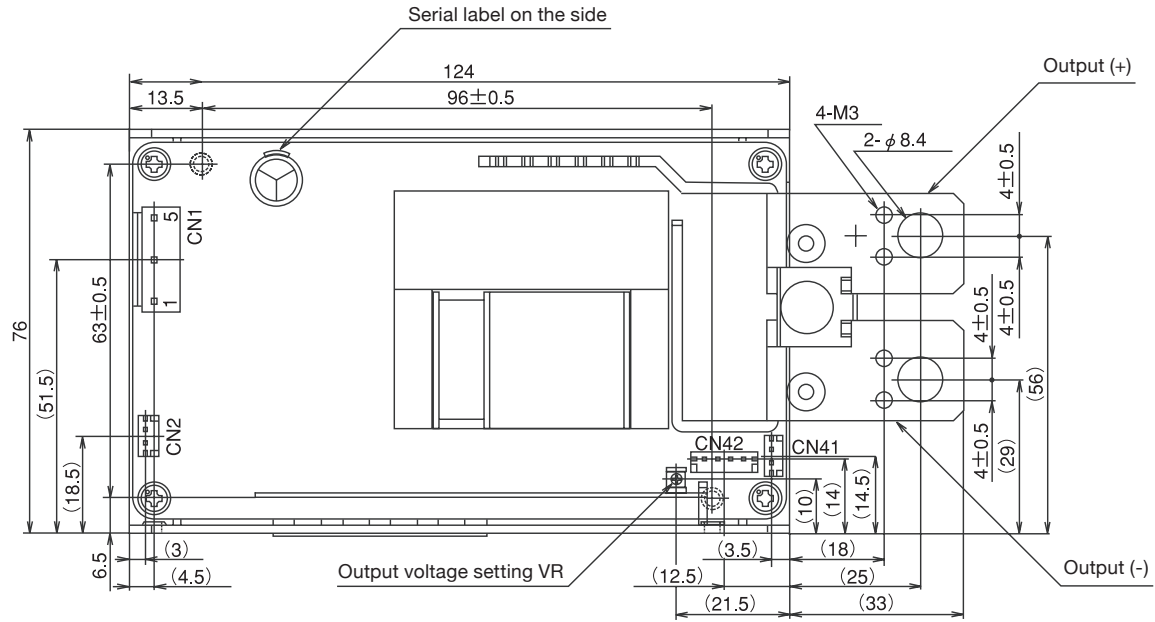
■ Overcurrent protection (OCP) curve





Dimension Diagram (mm)

300W



Connector joint

Pin No.	CN1	Pin No.	CN2	Pin No.	CN41	Pin No.	CN42
1	+Vin	1	+RC1	1	-S	1	AUX
3	-Vin	2	-RC1	2	+S	2	+RC2
5	RG					3	-RC2
						4	SG

