

Quad bidirectional Transil™ array for ESD protection

Features

- 4 Bidirectional Transil functions
- ESD Protection: IEC61000-4-2 level 4
- Stand off voltage: 12 V Min.
- Low leakage current < 0.5 μ A
- 50 W Peak pulse power (8/20 μ s)

Benefits

- High ESD protection level
- High integration Suitable for high density boards
- Suitable for high density boards

Complies with the following standards:

- IEC 61000-4-2
 - 15 kV (air discharge)
 - 8 kV (contact discharge)
- MIL STD 883E- Method 3015-7: class3
 - 25 kV (human body model)

Applications

Where transient overvoltage protection in ESD sensitive equipment is required, such as :

- Computers
- Printers
- Communication systems and cellular phones
- Video equipment

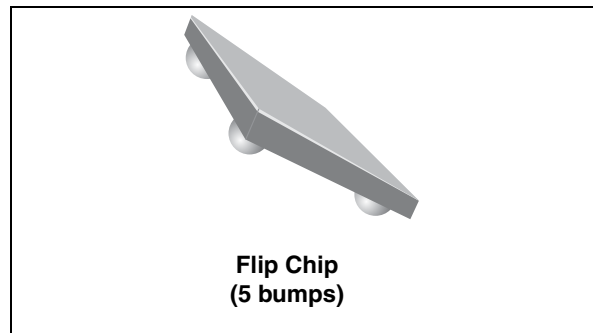


Figure 1. Pin layout (bump side)

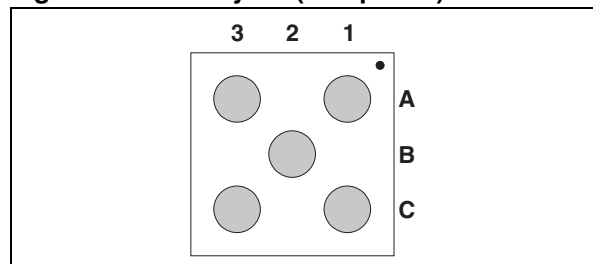
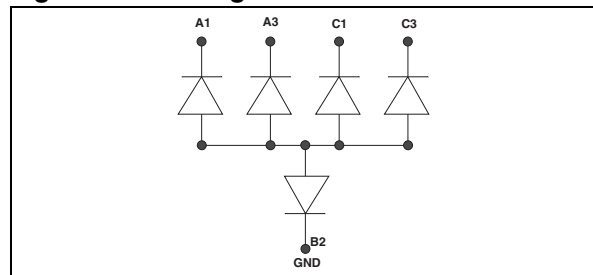


Figure 2. Configuration



Description

The ESDA14V2-4BF3 is a monolithic array designed to protect up to 4 lines in a bidirectional way against ESD transients. The device is ideal for situations where board space saving is requested.

This device is particularly adapted to the protection of symmetrical signals.

TM: Transil is ASD a trademark of STMicroelectronics.

1 Characteristics

Table 1. Absolute ratings (limiting values)

Symbol	Parameter	Value	Unit
V _{PP}	MIL STD 883E - Method 3015-7	± 25	kV
	ESD discharge IEC61000-4-2 air discharge	± 15	
	IEC61000-4-2 contact discharge	± 8	
P _{PP}	Peak pulse power (8/20µs)	50	W
T _j	Junction temperature	125	°C
T _{stg}	Storage temperature range	-55 to +150	°C
T _L	Lead solder temperature (10 seconds duration)	260	°C
T _{op}	Operating temperature range	-40 to +125	°C

Table 2. Electrical characteristics (T_{amb} = 25 °C)

Symbol	Parameter	
V _{BR}	Breakdown voltage	
I _{RM}	Leakage current @ V _{RM}	
V _{RM}	Stand-off voltage	
V _{CL}	Clamping voltage	
R _d	Dynamic impedance	
I _{PP}	Peak pulse current	
C	Capacitance	

Order code	V _{BR} @ I _R			I _{RM} @ V _{RM}		R _d	αT	C
	min.	max		max.		typ. ⁽¹⁾	max. ⁽²⁾	max. 0 V bias
	V	V	mA	µA	V	Ω	10 ⁻⁴ /C	pF
ESDA14V2-4BF3	14.2	18	1	0.5 0.1	12 3	3.2	10	15

1. Square pulse, I_{pp} = 3 A, t_p = 2.5 µs.
2. Δ V_{BR} = αT* (T_{amb} -25 °C) * V_{BR} (25 °C)

Figure 3. Clamping voltage versus peak pulse current (T_j initial = 25 °C) (Rectangular waveform, $t_p = 2.5 \mu s$)

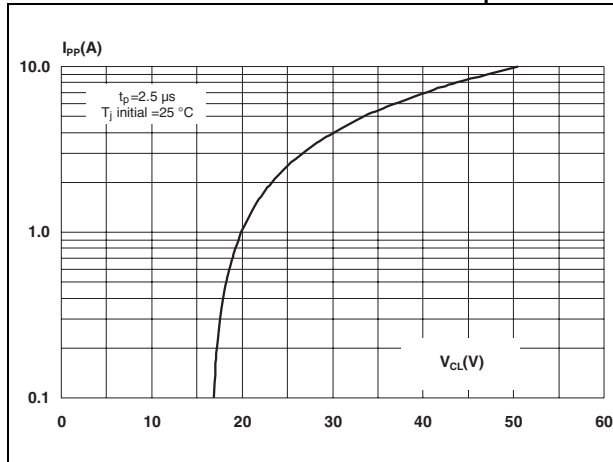


Figure 4. Junction capacitance versus reverse applied voltage (typical values)

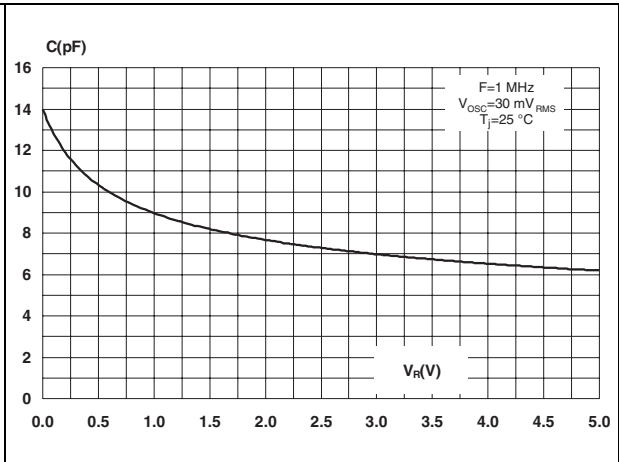


Figure 5. Relative variation of leakage current versus junction temperature (typical values)

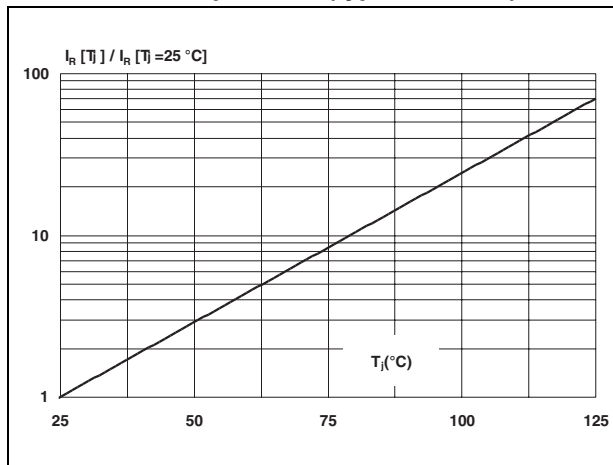


Figure 6. ESD response to IEC 61000-4-2 (+15 kV air discharge)

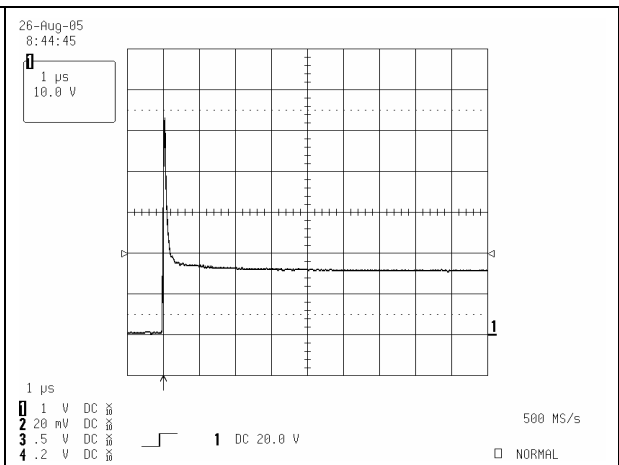


Figure 7. ESD response to IEC 61000-4-2 (-15 kV air discharge)

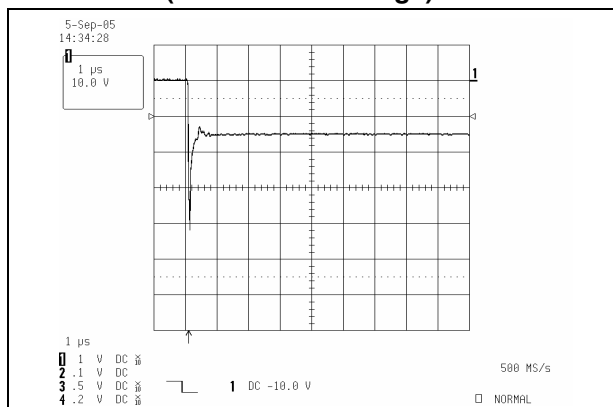


Figure 8. Analog crosstalk measurements

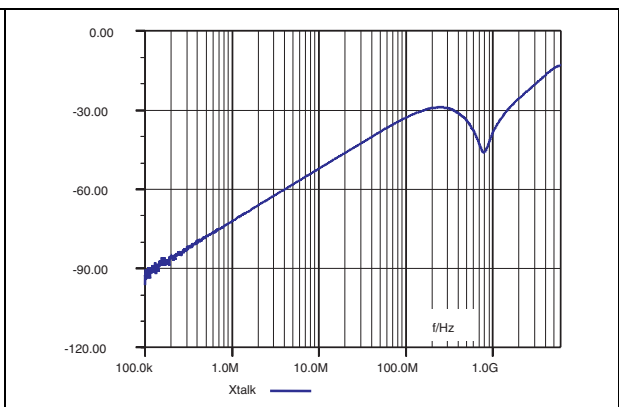
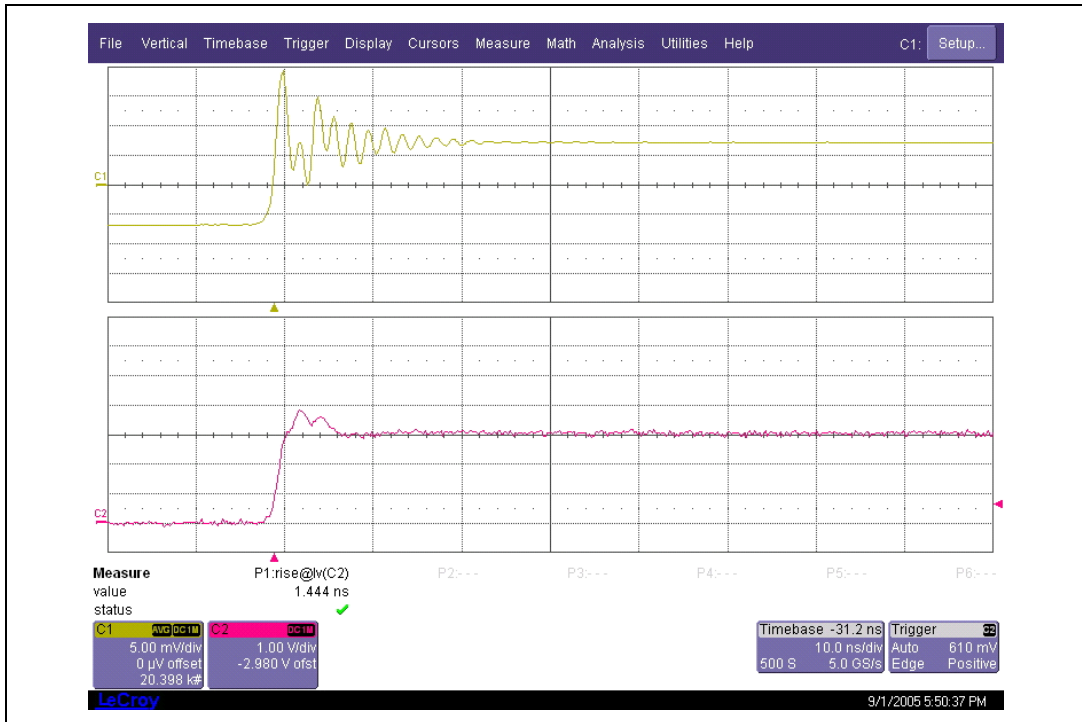
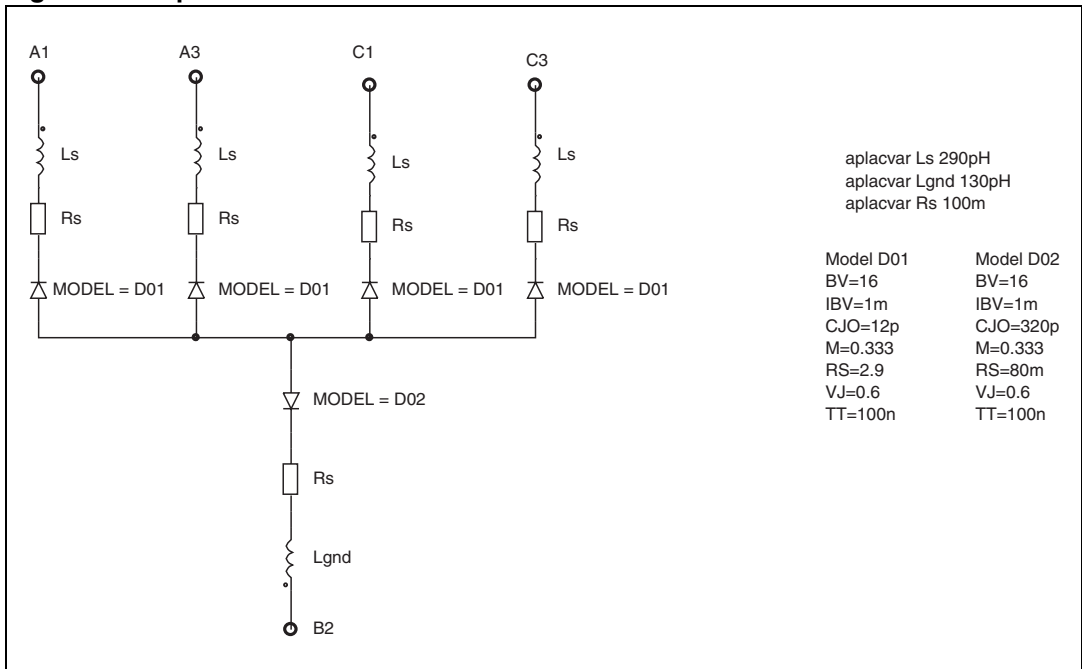


Figure 9. Digital crosstalk measurements



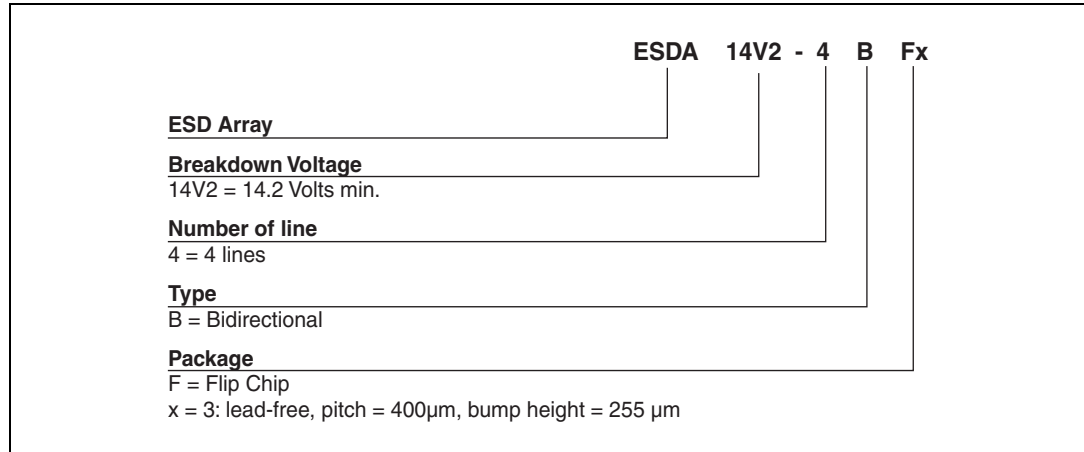
2 Application information

Figure 10. Aplac model



3 Ordering information scheme

Figure 11. Ordering information scheme



4 Package information

In order to meet environmental requirements, ST offers these devices in ECOPACK® packages. These packages have a lead-free second level interconnect. The category of second level interconnect is marked on the inner box label, in compliance with JEDEC Standard JESD97. The maximum ratings related to soldering conditions are also marked on the inner box label. ECOPACK is an ST trademark. ECOPACK specifications are available at www.st.com.

Figure 12. Package dimensions

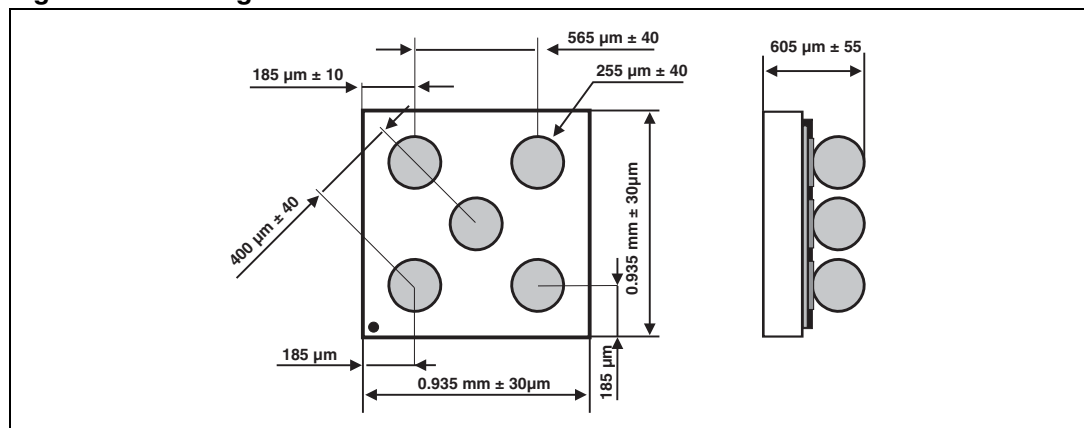


Figure 13. Footprint

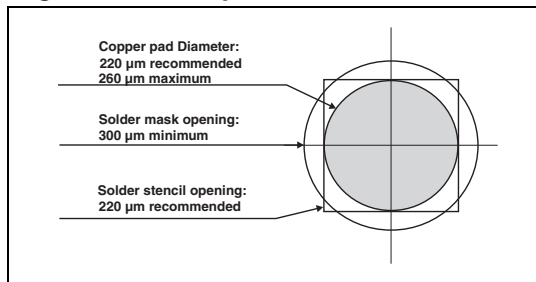


Figure 14. Marking

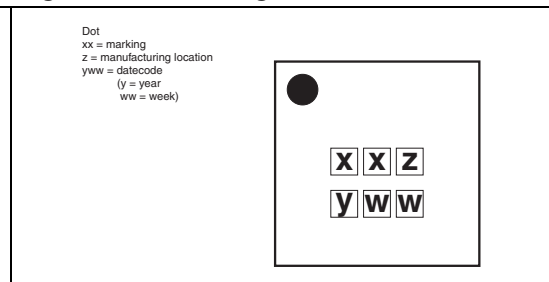
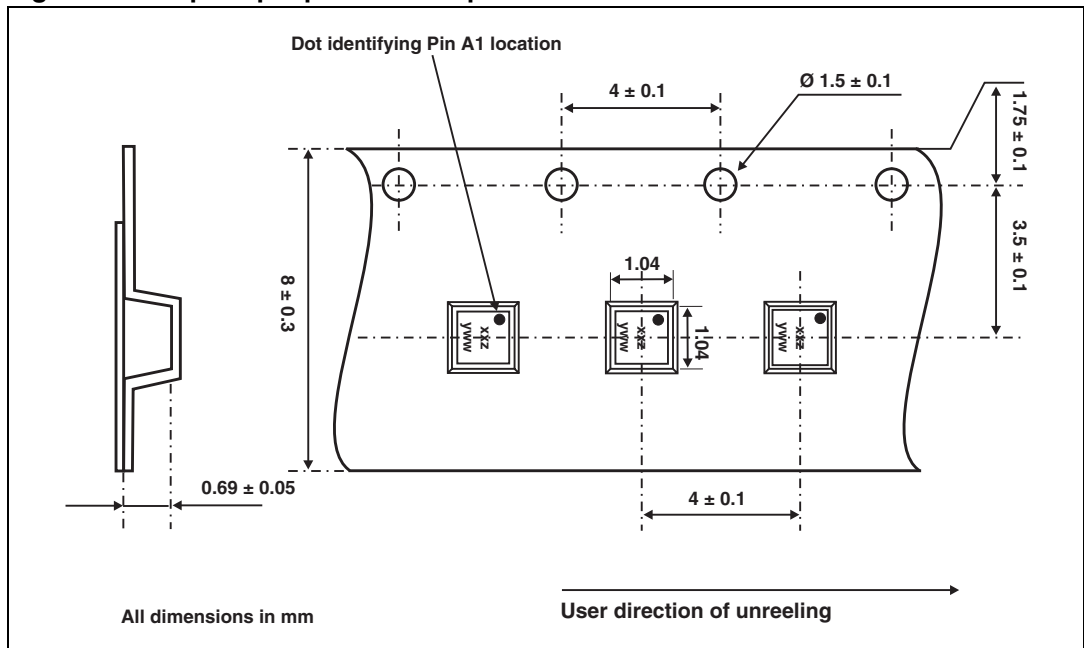


Figure 15. Flip Chip tape and reel specifications



Note: More information is available in the application notes:
 AN2348: "400 μm Flip Chip: Package description and recommendations for use"
 AN1751: EMI Filters: Recommendations and measurements

5 Ordering information

Table 3. Ordering information

Order code	Marking	Package	Weight	Base qty	Delivery mode
ESDA14V2-4BF3	EF	Flip Chip	1.10 mg	5000	Tape and reel 7"

6 Revision history

Table 4. Document revision history

Date	Revision	Changes
19-Sep-2005	1	Initial release.
15-Dec-2005	2	Dimension from center bump to corner bump changed in Figure 9 to indicate diagonal instead of perpendicular measurement. No values changed. ECOPACK statement added. Updated ordering information.
18-Apr-2008	3	Updated ECOPACK statement. Updated Figure 11 , Figure 12 and Figure 15 . Reformatted to current standards.

Please Read Carefully:

Information in this document is provided solely in connection with ST products. STMicroelectronics NV and its subsidiaries ("ST") reserve the right to make changes, corrections, modifications or improvements, to this document, and the products and services described herein at any time, without notice.

All ST products are sold pursuant to ST's terms and conditions of sale.

Purchasers are solely responsible for the choice, selection and use of the ST products and services described herein, and ST assumes no liability whatsoever relating to the choice, selection or use of the ST products and services described herein.

No license, express or implied, by estoppel or otherwise, to any intellectual property rights is granted under this document. If any part of this document refers to any third party products or services it shall not be deemed a license grant by ST for the use of such third party products or services, or any intellectual property contained therein or considered as a warranty covering the use in any manner whatsoever of such third party products or services or any intellectual property contained therein.

UNLESS OTHERWISE SET FORTH IN ST'S TERMS AND CONDITIONS OF SALE ST DISCLAIMS ANY EXPRESS OR IMPLIED WARRANTY WITH RESPECT TO THE USE AND/OR SALE OF ST PRODUCTS INCLUDING WITHOUT LIMITATION IMPLIED WARRANTIES OF MERCHANTABILITY, FITNESS FOR A PARTICULAR PURPOSE (AND THEIR EQUIVALENTS UNDER THE LAWS OF ANY JURISDICTION), OR INFRINGEMENT OF ANY PATENT, COPYRIGHT OR OTHER INTELLECTUAL PROPERTY RIGHT.

UNLESS EXPRESSLY APPROVED IN WRITING BY AN AUTHORIZED REPRESENTATIVE OF ST, ST PRODUCTS ARE NOT DESIGNED, AUTHORIZED OR WARRANTED FOR USE IN MILITARY, AIR CRAFT, SPACE, LIFE SAVING, OR LIFE SUSTAINING APPLICATIONS, NOR IN PRODUCTS OR SYSTEMS, WHERE FAILURE OR MALFUNCTION MAY RESULT IN PERSONAL INJURY, DEATH, OR SEVERE PROPERTY OR ENVIRONMENTAL DAMAGE.

Resale of ST products with provisions different from the statements and/or technical features set forth in this document shall immediately void any warranty granted by ST for the ST product or service described herein and shall not create or extend in any manner whatsoever, any liability of ST.

ST and the ST logo are trademarks or registered trademarks of ST in various countries.

Information in this document supersedes and replaces all information previously supplied.

The ST logo is a registered trademark of STMicroelectronics. All other names are the property of their respective owners.

© 2008 STMicroelectronics - All rights reserved

STMicroelectronics group of companies

Australia - Belgium - Brazil - Canada - China - Czech Republic - Finland - France - Germany - Hong Kong - India - Israel - Italy - Japan - Malaysia - Malta - Morocco - Singapore - Spain - Sweden - Switzerland - United Kingdom - United States of America

www.st.com