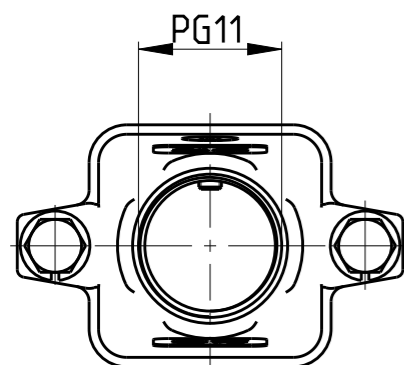
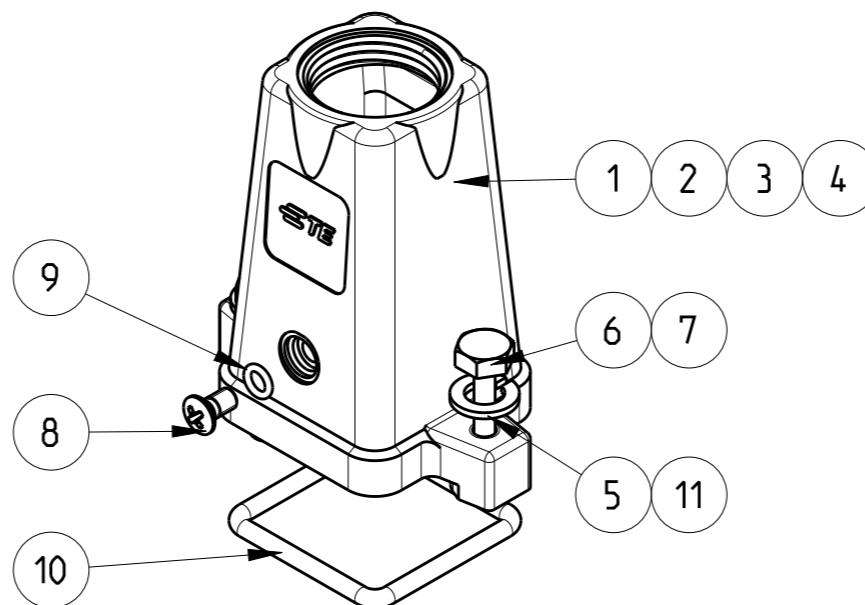
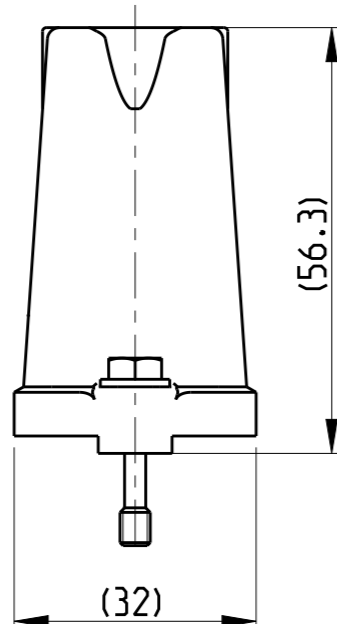
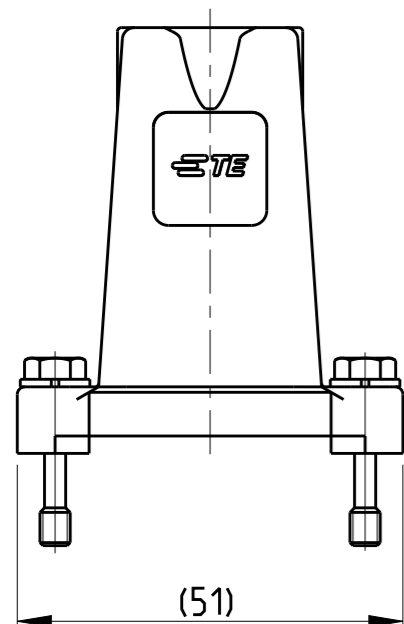


THIS DRAWING IS UNPUBLISHED. RELEASED FOR PUBLICATION 2009
 © COPYRIGHT 2009 BY - ALL RIGHTS RESERVED.

REVISIONS

P	LTR	DESCRIPTION	DATE	DWN	APVD
A12		ECR-09-023155	22OCT2009	VG	AR
A13		ECR-10-009363	29APR2010	RO	BR
B		ECR-16-001855	29FEB2016	GCM	JB



PN 0-3 AS SHOWN


PART NO.	ORDERING TEXT
0-1102700-5	EMV-K.3/4.STO.1.11.G
0-1102700-4	EMV.3/4.STO.1.11.G
0-1102700-1	EMV-K.3/4.STO.1.11.G
4-1102700-5	EMV.3/4.STO.1.11.G
3-1102700-5	EMV-K.3/4.STO.1.11.G

Notes

- 1 SUITABLE HOUSINGS: SERIES EMV, SIZE 1
CUSTOMER DRAWING 1102703, 1102702
- 2 STANDARDS: DIN EN 61984, DIN EN 60664-1
- 3 CHROMIT AL TCP PASSIVATION
- 4 TOOLS: PHILLIPS SCREWDRIVER PH1
HEXAGON SCREWDRIVER 7mm
- 5 VARNISH ON INSIDE AREA NOT NECESSARY
- 6 PACKAGING: 10 SETS IN A CARTON, PRE-MOUNTED

PN/QTY	DESCRIPTION	MATERIAL	COLOR/SURFACE	NOTE	ITEM
2 2 2 - -	WASHER, PLAIN	STAINL. STEEL	BLANK	A4, DIN EN ISO 7989, 200HV (V4A)	11
- - - - -	O-RING	FKM	BLACK	28x2.5 din 3771	10
1 1 1 1 1	O - RING	NBR	BLACK	3.0x1.0	9
1 1 1 1 1	SREW COUNTERSUNK RAISED HEAD	STAINL. STEEL	V2A	M3x6 PH1 DIN EN ISO 7047	8
2 2 2 - -	SCREW, HEXAGON BOLT	STAINL. STEEL	BLANK	M4x22 DIN EN ISO 7964, RED. SHUNK (V4A)	7
- - - 2 2	SCREW, HEXAGON BOLT	STAINL. STEEL	BLANK	M4x22 DIN EN ISO 7964, REDUCED SHUNK	6
- - - 2 2	WASHER, PLAIN	STAINL. STEEL	BLANK	A4, DIN EN ISO 7989, 200HV	5
- - - - -	CONNECTOR HOUSING	ALU ALLOY	BLACK	3 SERIES EMV-K WE LOGO	4
- - 1 - -	CONNECTOR HOUSING	ALU ALLOY	SILVER	3 SERIES EMV-K	3
1 - - 1 -	CONNECTOR HOUSING	ALU ALLOY	BLACK	3 SERIES EMV-K	2
- 1 - - 1	CONNECTOR HOUSING	ALU ALLOY	GREY	SERIES EMV	1

PARTS LIST (PER ONE UNIT)

THIS DRAWING IS A CONTROLLED DOCUMENT.		DWN V.GLUMM 18AUG2009	 TE Connectivity CONNECTOR HOUSING ASS'Y, TOP ENTRY SERIES EMV, SIZE 1 STEEL CONDUIT THREAD
DIMENSIONS: mm		CHK H.Braun 18AUG2009	
TOLERANCES UNLESS OTHERWISE SPECIFIED:		APVD T.Schnurpfel 18AUG2009	
0 PLC ± 1 PLC ± 2 PLC ± 3 PLC ± 4 PLC ± ANGLES ±° MATERIAL FINISH		PRODUCT SPEC 108-74036 APPLICATION SPEC 114-74017 WEIGHT -	
MATERIAL		CUSTOMER DRAWING	SIZE A3 CAGE CODE 00779 DRAWING NO C-1102700 RESTRICTED TO - SCALE 1:1 SHEET 1 OF 1 REV B