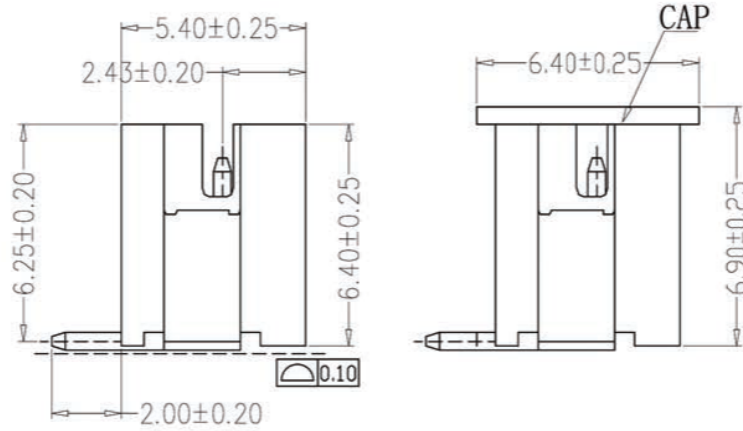
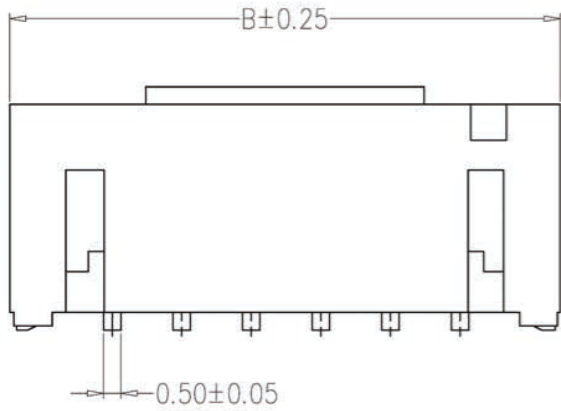
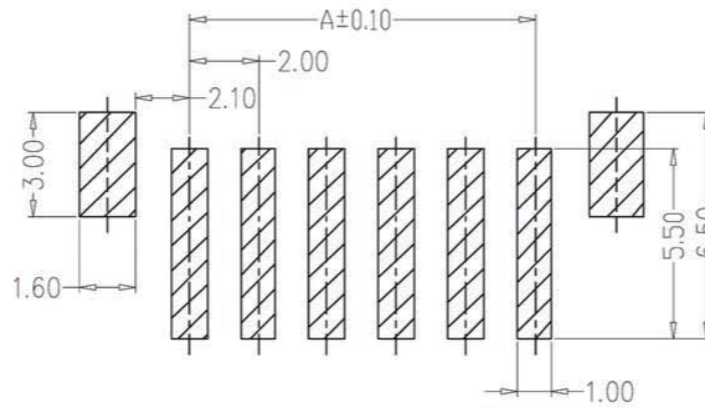
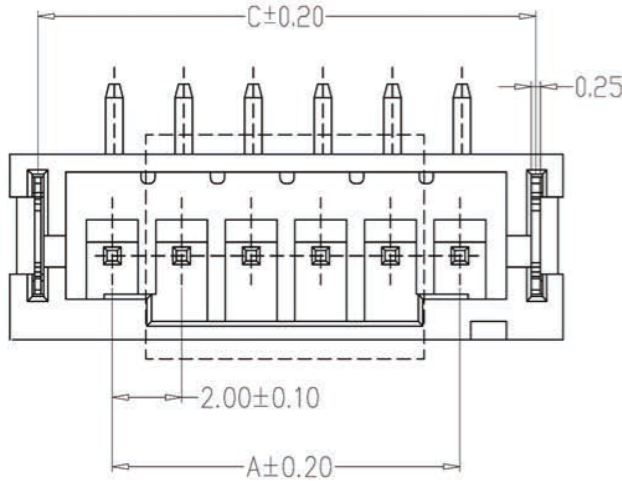


Kinghelm®



SPECIFICATIONS

- 1、Current Rating: 2A AC, DC
- 2、Voltage Rating: 250V AC, DC
- 3、Temperatuer Range: -25°C~+85°C
- 4、Contact Resistance: 20mΩ Max
- 5、Insulation Resistance: 1000MΩ Min
- 6、Withstanding Voltang: 800V AC/minute
- 7、Material: Wafer Nylon 6T, UL94V-0
PIN Brass Tin-plated
Solder tad Phosphoric bronze Tin-plated



PCB LAYOUT

| 编号 | 尺寸 (mm) | | |
|-------------|---------|-------|-------|
| | A | B | C |
| A2001LF-02A | 2.00 | 8.00 | 6.50 |
| A2001LF-03A | 4.00 | 10.00 | 8.50 |
| A2001LF-04A | 6.00 | 12.00 | 10.50 |
| A2001LF-05A | 8.00 | 14.00 | 12.50 |
| A2001LF-06A | 10.00 | 16.00 | 14.50 |
| A2001LF-07A | 12.00 | 18.00 | 16.50 |
| A2001LF-08A | 14.00 | 20.00 | 18.50 |
| A2001LF-09A | 16.00 | 22.00 | 20.50 |
| A2001LF-10A | 18.00 | 24.00 | 22.50 |
| A2001LF-11A | 20.00 | 26.00 | 24.50 |
| A2001LF-12A | 22.00 | 28.00 | 26.50 |
| A2001LF-16A | 30.00 | 36.00 | 34.50 |

贺骏驹
赖积任
张松强

| 制图 DRAWN | 变更内容 DESCRIPTION | 日期 DATE | GENERAL TOLERANCE | | 制图 DRAWING | 贺骏驹 | 料号 PART NO. | A2001LF-NA | | 版本 REV. | A |
|-------------|---------------------|------------|-------------------|------------|----------------|-----|-------------------|-------------|------------------------|---------------|---|
| | | | X.±0.25 | X.±2' | | | | 品名 TITLE | PH立贴 WAFER SMT TYPE | | |
| | | | .X±0.20 | .X'±1' | 审核 CHECK | 赖积任 | 客户料号 CUTM. NO. | | | | |
| | | | .XX±0.15 | .XX'±0.5' | 核准 APPROVAL | 张松强 | 深圳市金航标电子有限公司 | | WWW.BDS666.COM | | |
| | | | .XXX±0.10 | .XXX'±0.5' | 单位 UNITS | MM | 比例 SCALE | 1:1 | KH-A2001LF-4A | 0755-83044319 | |