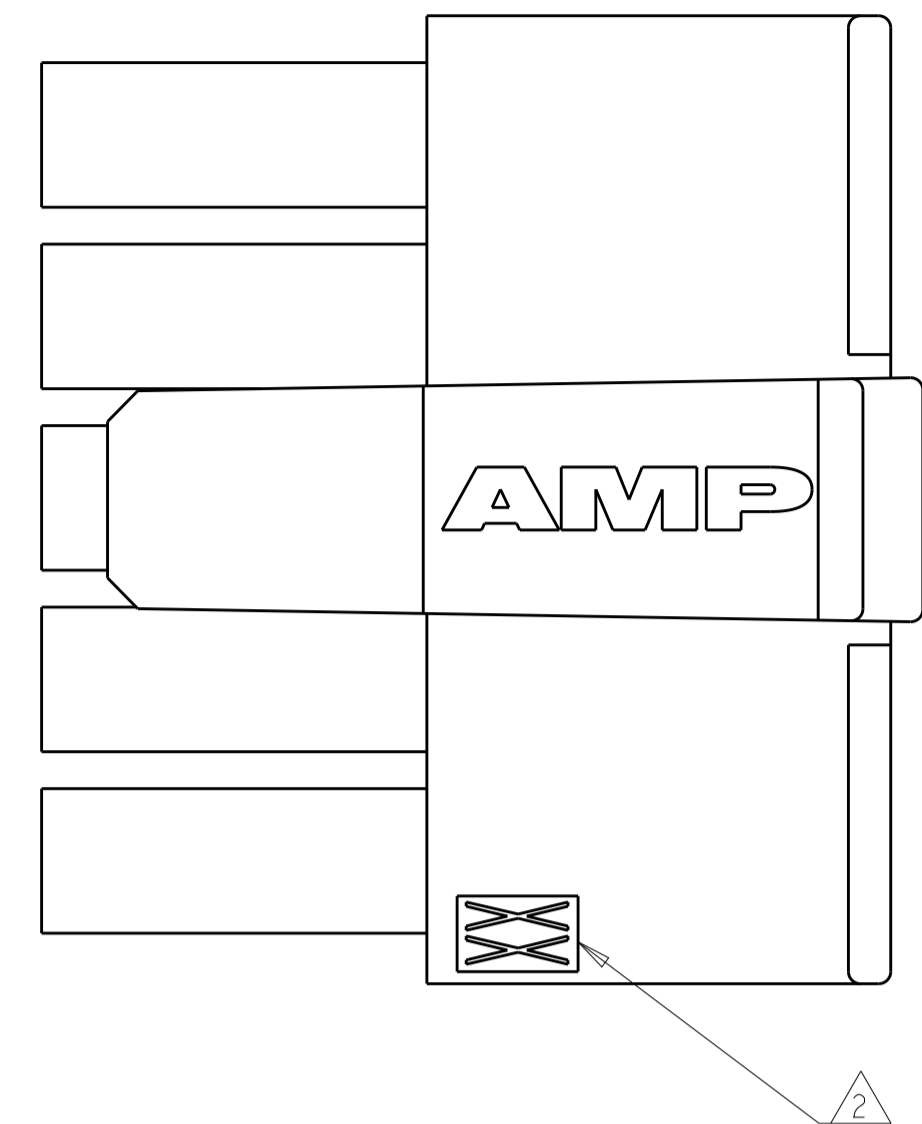
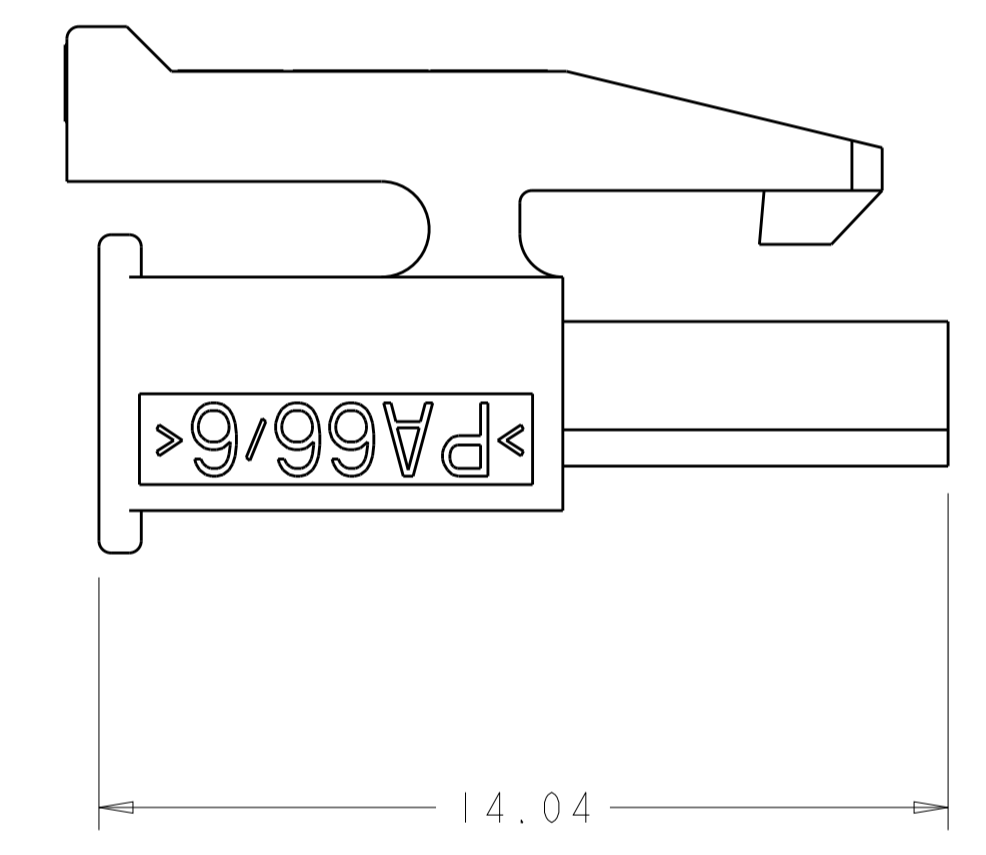
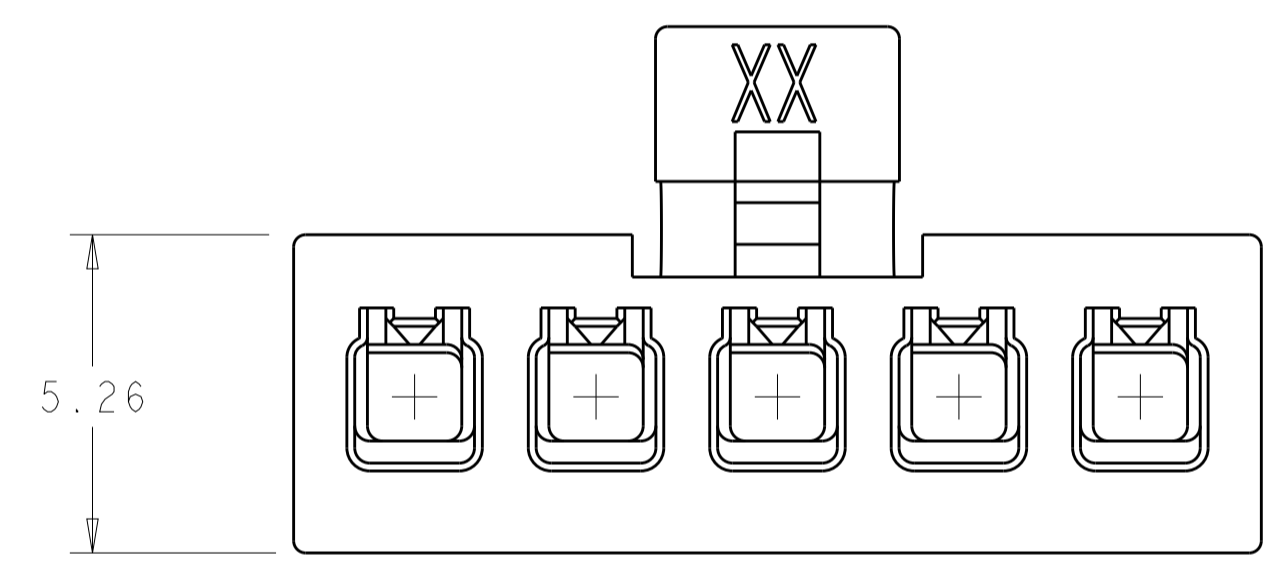
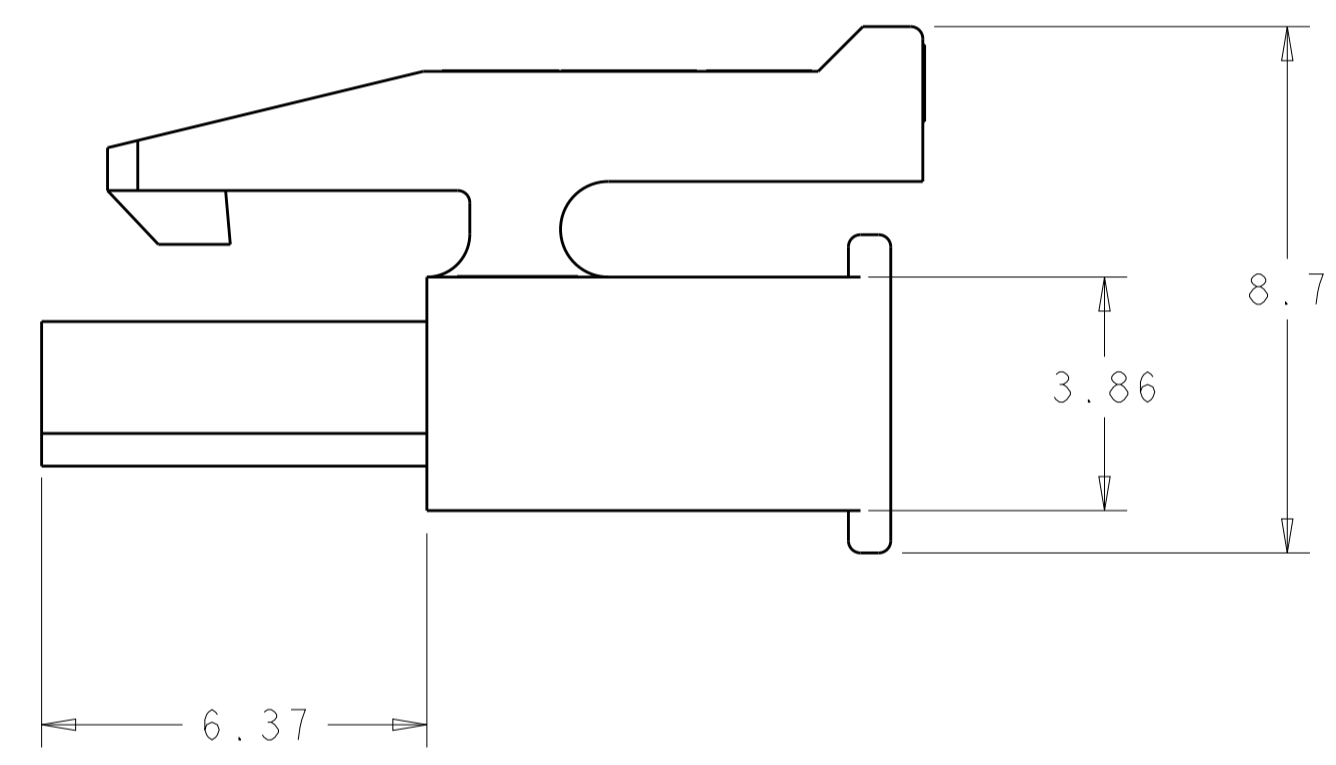
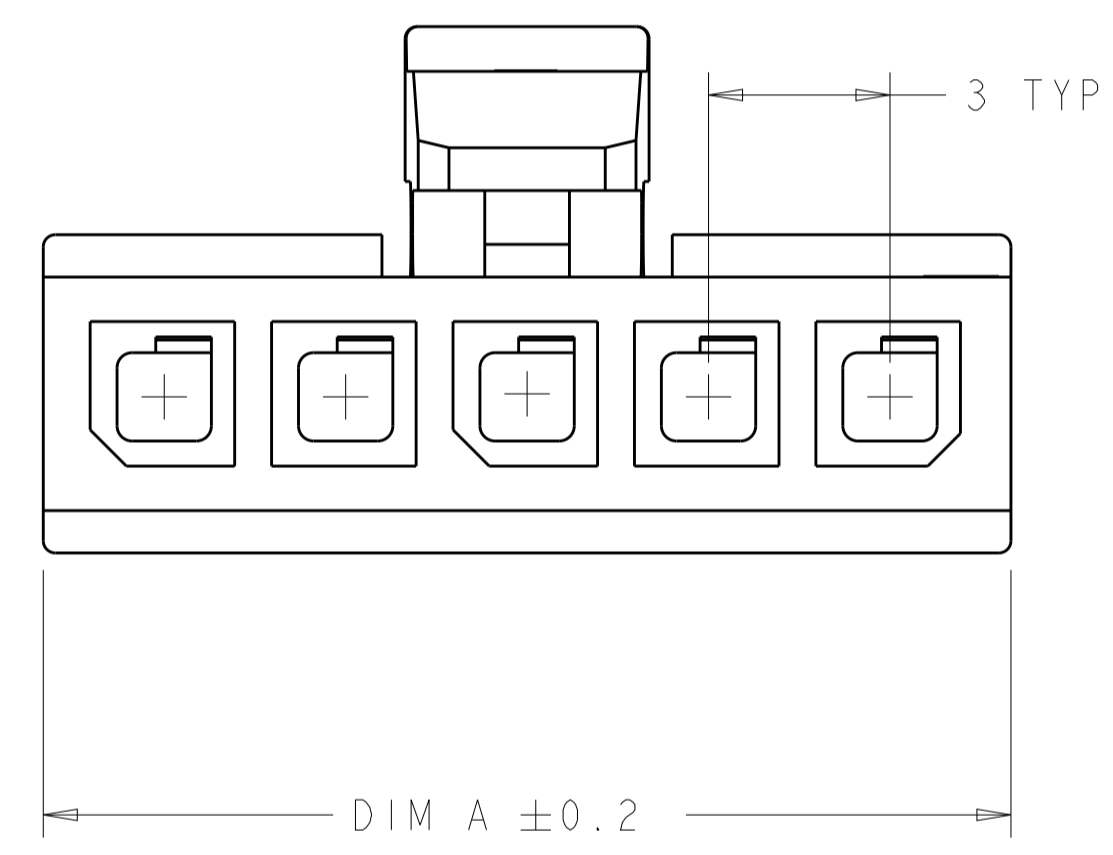


LOC		DIST		REVISIONS			
CM	00	P	LTN	DESCRIPTION	DATE	DWN	APVD
		C4		REVISED PER ECR-16-013672	14OCT2016	BW	SC



- ① CIRCUIT 1 IDENTIFIER, LOCATED APPROXIMATELY AS SHOWN.
- ② LAST CIRCUIT IDENTIFIER, LOCATED APPROXIMATELY AS SHOWN.
- ③ MATERIAL NYLON66/6 V0 UL94
- ④ MATERIAL PA66 V0 GW UL94.



④	444.06	13	4	2-1445022-4
	363.34	10	3	2-1445022-3
	282.61	7	2	2-1445022-2
③	1091.66	37	12	1-1445022-2
	1011.3	34	11	1-1445022-1
	929.64	31	10	1-1445022-0
	847.19	28	9	1445022-9
	768.32	25	8	1445022-8
	686.23	22	7	1445022-7
	605.73	19	6	1445022-6
	525.93	16	5	1445022-5
	444.06	13	4	1445022-4
	363.34	10	3	1445022-3
282.61	7	2	1445022-2	
REMARK	VOLUME mm <sup>3</sup>	DIM A	NO OF POS.	PART NO.

THIS DRAWING IS A CONTROLLED DOCUMENT.

DIMENSIONS:	TOLERANCES UNLESS OTHERWISE SPECIFIED:	DWN R. WHITAKER 14AUG2001	NAME <b>STE</b> TE Connectivity
mm	0 PLC ± 1 PLC ±0.13 2 PLC ± 3 PLC ± 4 PLC ± ANGLES ±1°	CHK C. JONES 14AUG2001	PRODUCT SPEC 108-1836
MATERIAL NYLON, UL94V-0 BLACK	FINISH	APVD C. JONES 14AUG2001	APPLICATION SPEC 114-13000
CUSTOMER DRAWING		WEIGHT	RESTRICTED TO

SIZE: A1 00779 C=1445022  
 SCALE: 8:1 SHEET 1 OF 1 REV: C4