

6

5

4

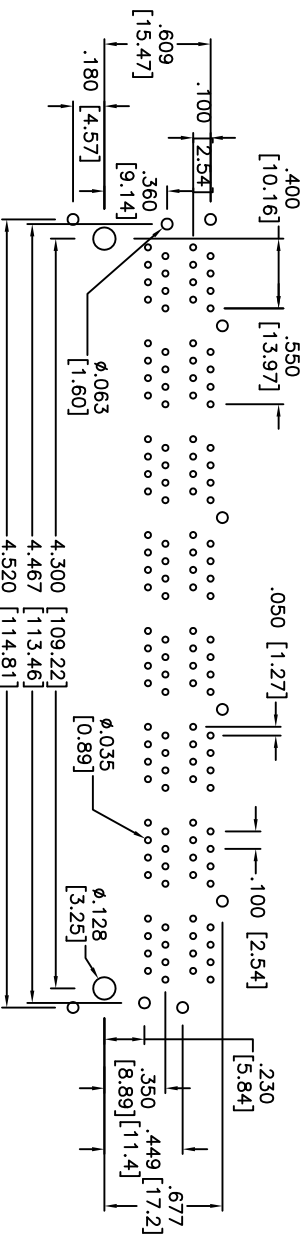
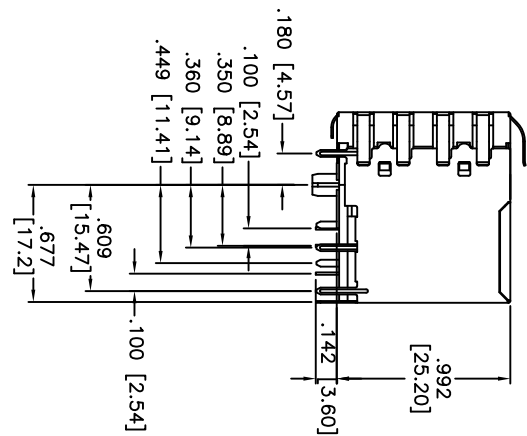
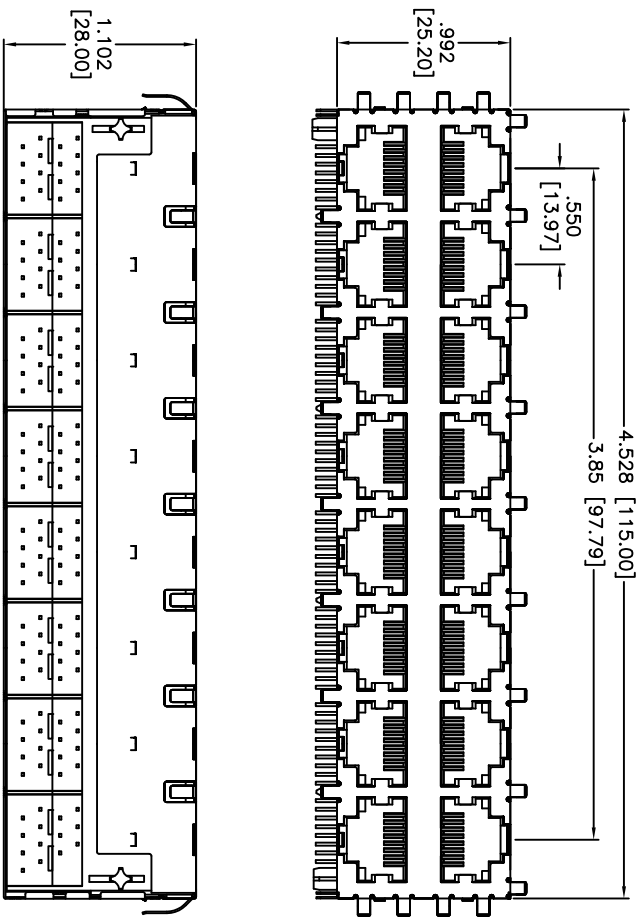
3

2

1

APPROVED: _____ TITLE: _____
 DATE: _____

Rev	AWO #	Description	Date	Appr
-		RELEASED	2/22/06	
A		SHIELD RE-DESIGN	4/12/06	
B		REVISED MATERIAL & DIM.	10/05/10	



RECOMMENDED PCB LAYOUT

X	PLATING
0	15 μ m Gold
1	30 μ m Gold
2	50 μ m Gold

UNLESS OTHERWISE SPECIFIED
 ALL DIMENSIONS ARE INCHES [MM]
 TOLERANCES: EXCEPT AS NOTED
 INCHES Holes
 .X \pm .10 \varnothing X \pm .10
 .XX \pm .020 \varnothing XXX \pm .015
 .XXX \pm .015 \varnothing XXX \pm .010

ADAM TECH
 909 Ratway Avenue, Union, NJ 07083
 Phone: 908-687-5000 Fax: 908-687-5710

**MODULAR GANGED AND STACKED RJ45
 RIGHT ANGLE PCB**

SPECIFICATIONS:
 Material: Nylon 66, glass filled, rated UL 94V-0
 Insulator color: Black
 Shield: Brass, Nickel plated
 Contacts: Phosphor Bronze
 Plating:
 Gold over Nickel underplate on contact area,
 Tin over Copper underplate on tails.
 (See thickness for chart)
 Electrical:
 Operating voltage: 125 VAC max
 Current rating: 1.5 Amps max
 Contact resistance: 40 mohms max
 Insulation resistance: 1000 Mohms min @ 500 VDC
 Dielectric withstanding voltage: 1000 VAC for 1 minute
 Temperature Rating:
 Operating temperature: -40°C to +85°C
 Environmental:
 Lead free, RoHS compliant.
 Recommended soldering temp: 235°C for 5 sec.



APPROVALS	DATE	TITLE	SIZE	PART NO.	REV.
DRAWN	SS	2/22/06	X	MTJG-16-88JX1-FSG-PG	B
CHECKED					
APPROVED					

REF: S00005C SCALE: NTS SHEET 1 OF 1

6

5

4

3

2

1