



15-20 Watt Interchangeable Plug Series PSA21R Adapter with Loadsense™



Features

- Double Insulated
- Class B EMI
- Loadsense™ at DC Plug
- Field Changeable Plugs
- Power On LED
- +2% Regulation (5-24VDC)

Applications

- Peripherals
- Portable Equipment
- Gaming Machines
- Point of Sale Equipment
- Network Equipment

Safety Approvals

- cUL 1950, Class II
- CE
- TUV EN60950
- AS/NZS3260 & 4417

Mechanical Characteristics

- Dimensions:
- Length: 100mm (3.9in)
 - Width: 63mm (2.5in)
 - Height: 36mm (1.4in)
 - Weight: 260gm (9oz)

Output Specifications

Model	DC Output Voltage	Load		Ripple(1) P-P (max)	Regulation(2)	
		Min.	Max.		Line	Load
PSA21R-033	3.3V	0A	3.0A	50mV	±1%	±3%
PSA21R-050	5.0V	0A	3.0A	50mV	±1%	±2%
PSA21R-090	9.0V	0A	1.67A	90mV	±1%	±2%
PSA21R-120	12V	0A	1.67A	120mV	±1%	±2%
PSA21R-150	15V	0A	1.33A	150mV	±1%	±2%
PSA21R-180	18V	0A	1.11A	180mV	±1%	±2%
PSA21R-240	24V	0A	0.83A	240mV	±1%	±2%

Clip ordered separately. US Plug: RPA; UK Plug: RPK; Europe Plug: RPE; Australia Plug: RPS;
All 4 Plugs: RPKit.

(1) Measured at full load by using a 12 inch twisted pair terminated with a 10mfd capacitor and a 0.1mfd ceramic in parallel.

(2) No Load to Full Load, 1.8 meter (6ft) DC cord, measured at the plug.

INPUT:**Rated Input Voltage**

100 to 240 VAC

Operating Input Voltage

90 to 264 VAC

AC Input Frequency

47 to 63Hz

AC Input Current

1.0Arms (120VAC)

0.5Arms (240VAC)

AC Inrush Current (Cold)

30A max. (120VAC)

60A max. (240VAC)

Efficiency

70% typical

OUTPUT:**Hold-up Time**

16ms Full load, 115VAC

Overvoltage Protection

>120%

Short Circuit Protection

Auto Restart

ENVIRONMENTAL:**Operation Temperature**

0 to 40°C

Storage Temperature

-25 to +85°C

Humidity

10 to 90% RH (Non-condensing)

Emissions

FCC Class B

EN 55022 B

Immunity

EN 50082-1: 1997

61000-4-2, Level 3

61000-4-3, Level 2

61000-4-4, Level 2

61000-4-5, Level 3

61000-4-6, Level 3

61000-4-11

GENERAL:**Leakage Current**

<0.25mA (254VAC)

Dielectric Withstand (Hipot)

Input to Output

3000VAC, 1 min., 10mA

Switching Frequency

65KHz (12 to 24V)

100KHz (3.3 to 9V)

MTBF (Full Load, 25°C)

150K Hrs.

MIL-HDBK-217F

Power On Indicator

Green LED

AC Input Plugs

(Order Separately)

USA: RPA Europe: RPE

UK: RPK Australia: RPS

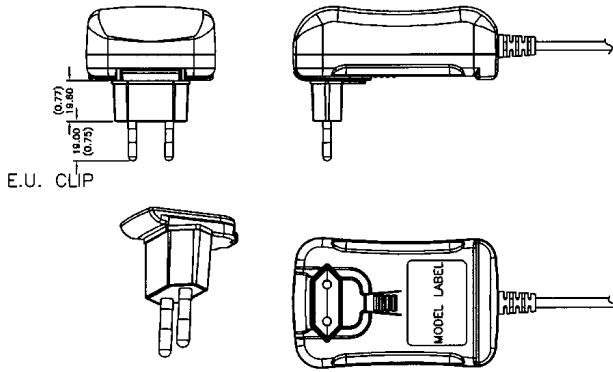
DC Output Connector

2.1mm x 5.5mm x 10mm Coaxial

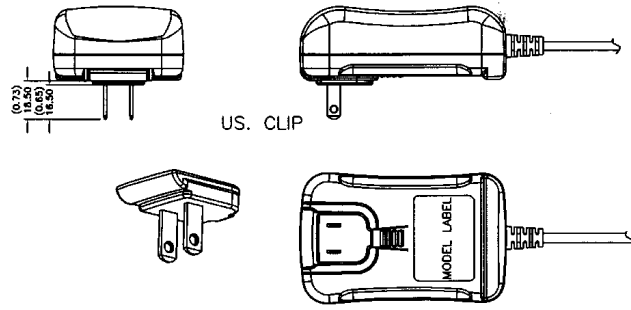
Plug; Center Positive Standard

PSA21R Dimension Diagram Unit: mm (inch)

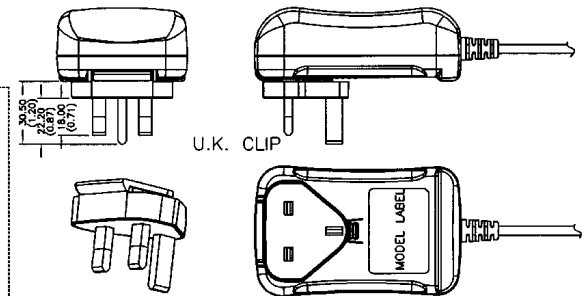
ASSEMBLY FROM HOUSING AND E.U. CLIP



ASSEMBLY FROM HOUSING AND U.S. CLIP



ASSEMBLY FROM HOUSING AND U.K. CLIP



AUST. CLIP ASSEMBLY FROM HOUSING AND AUST. CLIP

