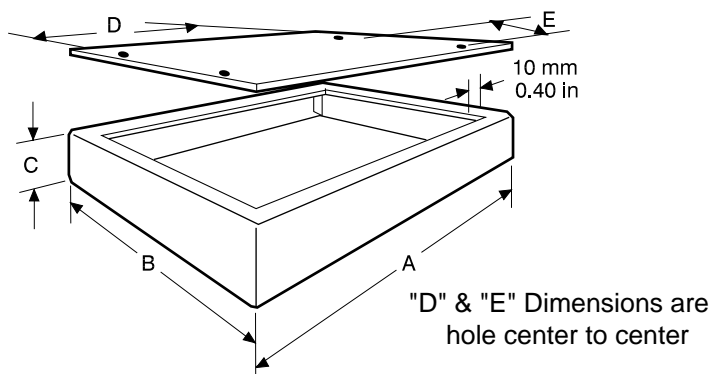


Steel Chassis (1441 & 1431 Series)



Part Number				Gauge	Units	Dimensions				
Grey Chassis	Grey Cover	Black Chassis	Black Cover			A	B	C	D	E
1441-6	1431-6	1441-6BK3	1431-6BK3	20	inch mm	4 102	4 102	2 51	3.6 92	3 76
1441-8	1431-8	1441-8BK3	1431-8BK3	20	inch mm	6 152	4 102	2 51	5.6 143	3 76
1441-12	1431-12	1441-12BK3	1431-12BK3	20	inch mm	7 178	5 127	2 51	6.6 168	3 76
1441-9	1431-10	1441-9BK3	1431-10BK3	20	inch mm	8 203	4 102	1 25	7.6 194	3 76
1441-10	1431-10	1441-10BK3	1431-10BK3	20	inch mm	8 203	4 102	2 51	7.6 194	3 76
1441-14	1431-14	1441-14BK3	1431-14BK3	20	inch mm	9 229	5 127	2 51	8.6 219	3 76
1441-15	1431-16	1441-15BK3	1431-16BK3	20	inch mm	10 254	6 152	1 25	9.6 244	4 102
1441-16	1431-16	1441-16BK3	1431-16BK3	20	inch mm	10 254	6 152	2 51	9.6 244	4 102
1441-22	1431-22	1441-22BK3	1431-22BK3	20	inch mm	12 305	8 203	2 51	11.6 295	6 152
1441-24	1431-22	1441-24BK3	1431-22BK3	20	inch mm	12 305	8 203	3 76	11.6 295	6 152
1441-29	1431-29	1441-29BK3	1431-29BK3	20	inch mm	12 305	10 254	2 51	11.6 295	8 203
1441-18	1431-18	1441-18BK3	1431-18BK3	20	inch mm	13.5 343	5 127	2 51	13.1 333	3 76
1441-26	1431-26	1441-26BK3	1431-26BK3	20	inch mm	16 406	8 203	2 51	15.6 397	6 152
1441-28	1431-26	1441-28BK3	1431-26BK3	20	inch mm	16 406	8 203	3 76	15.6 397	6 152
1441-20	1431-20	1441-20BK3	1431-20BK3	20	inch mm	17 432	4 102	3 76	16.6 422	3 76
1441-30	1431-30	1441-30BK3	1431-30BK3	20	inch mm	17 432	10 254	2 51	16.6 422	8 203
1441-32	1431-30	1441-32BK3	1431-30BK3	20	inch mm	17 432	10 254	3 76	16.6 422	8 203
1441-33	1431-30	1441-33BK3	1431-30BK3	20	inch mm	17 432	10 254	4 102	16.6 422	8 203
1441-34	1431-34	1441-34BK3	1431-34BK3	18	inch mm	17 432	12 305	2 51	16.6 422	10 254
1441-36	1431-34	1441-36BK3	1431-34BK3	18	inch mm	17 432	12 305	3 76	16.6 422	10 254
1441-38	1431-38	1441-38BK3	1431-38BK3	18	inch mm	17 432	14 356	3 76	16.6 422	12 305
1441-40	1431-38	1441-40BK3	1431-38BK3	18	inch mm	17 432	14 356	4 102	16.6 422	12 305
1441-42	1431-38	1441-42BK3	1431-38BK3	18	inch mm	17 432	14 356	5 127	16.6 422	12 305

KEY FEATURES

- Spot welded heavy duty construction chassis.
- Finished in ASA 61 smooth grey or satin black powder paint.
- Cover holes are punched with 4 holes – 3/16" diameter. Hardware not provided, please order separately - Part number **1421J6** (Pkg. of 6, 6-32 Philips head screws).

Metal



CANADA
Guelph, Ontario (519) 822-2960
St. Laurent, Quebec (514) 343-9010
USA
Cheektowaga, NY (716) 651-0086

www.hammondmfg.com

EUROPE
Basingstoke, UK +44 1256 812812

AUSTRALASIA
Queenstown, SA, Australia +61 8 8240 2244