

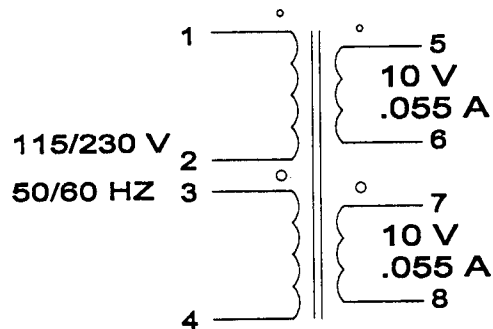
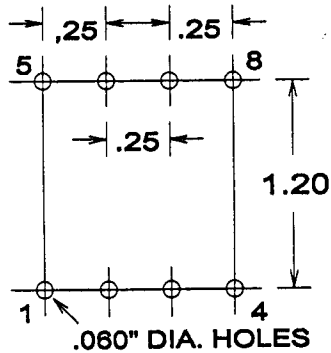
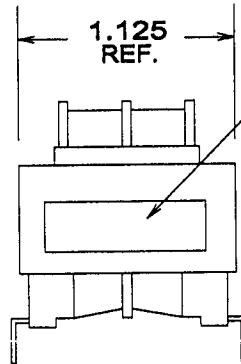
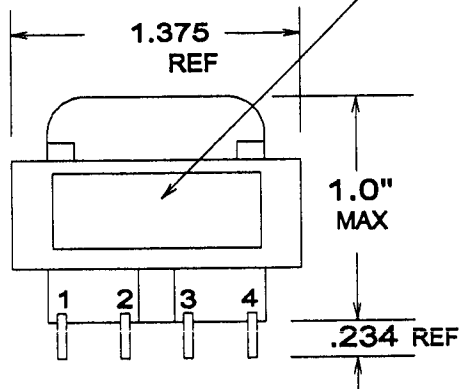
TOLERANCE UNLESS SPECIFIED = .XXX = +/- .005 .XX = +/- .015 FRACTIONS = +/- .032

FS20-055.DC2

YYWW = YEAR, WEEK
XXX = SITECODE

M MagneTek
Triad
FS20-055
CLASS B C **RI** US

EIA-17-YYWW
XXX B10



PRODUCTION TESTS

DC RESISTANCE IN OHMS	1-2 = 1900 MAX
	3-4 = 2650 MAX
	5-6 = 23 NOM
	7-8 = 31 NOM

MAX EXCITATION CURRENT = 0.005 A
APPLY = 230V 60 HZ, 1-4, TIE 2+3

OPEN CIRCUIT VOLTAGE TEST:

230V 60 HZ, 1-4, TIE 2+3

1-2 = 114.1 TO 115.1V

3-4 = 114.9 TO 115.9V

EACH SEC = 12.6 TO 13.5 V

HIPOT: 2500V PRI'S TO SEC'S

1500V PRI'S, SEC'S TO CORE

500V P-P, S-S

CONTINUITY: PRI 100%

IMPREGNATION NOTES

FINAL ASSEMBLY NOTES

M MagneTek

PART NO. FS20-055