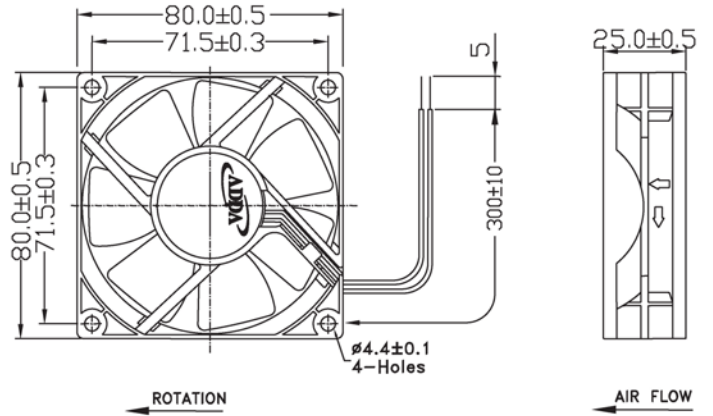


AD8025 SERIES



External Dimensions



Frame:Plastic(UL:94V-0)
 Impeller:Plastic(UL:94V-0)
 Bearing:Ball, Sleeve, 1B1S, Hypro bearing
 Lead wire:UL 1007AWG24
 VOLTAGE AVAILABLE:12V,24V

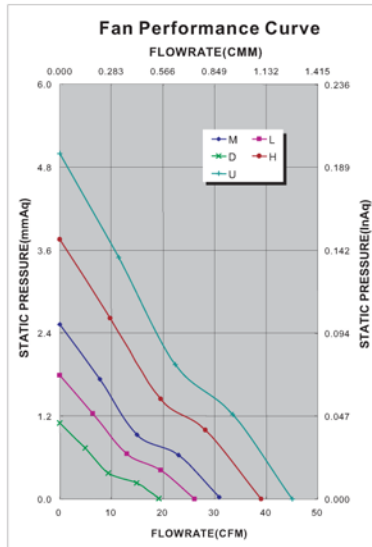
Specifications(Nominal)

*Noise is measured at the distance of one (1) meter from the axis of intake.

Bearing type: ⊙=Ball ⊛=Sleeve ○=1B1S ●=Hypro bearing

Frame size (mm)	Model No.	Bearing System Type	Rated Voltage (VDC)	Current (A)	Power (W)	Rated Speed (rpm)	Maximum AirFlow (CMM)	Maximum AirFlow (CFM)	Maximum Pressure (InAq)	Maximum Pressure (mmAq)	*Noise Level (dB/A)	Weight (g)
80x80x25	AD0812DB-A70GL	⊙ ⊛ ○ ●	12	0.04	0.48	1600	0.580	20.50	0.050	1.27	15.0	86.0
	AD0812LB-A70GL	⊙ ⊛ ○ ●	12	0.08	0.96	2100	0.781	27.60	0.078	1.98	22.5	
	AD0812MB-A70GL	⊙ ⊛ ○ ●	12	0.12	1.44	2500	0.931	32.90	0.114	2.89	28.3	
	AD0812HB-A70GL	⊙ ⊛ ○ ●	12	0.24	2.88	3100	1.120	39.60	0.160	4.06	34.4	
	AD0812UB-A70GL	⊙ ⊛ ○ ●	12	0.26	3.12	3400	1.239	43.80	0.190	4.82	40.0	
	AD0824LB-A70GL	⊙ ⊛ ○ ●	24	0.04	0.96	2100	0.781	27.60	0.078	1.98	22.5	
	AD0824MB-A70GL	⊙ ⊛ ○ ●	24	0.07	1.68	2500	0.931	32.90	0.114	2.89	28.3	
	AD0824HB-A70GL	⊙ ⊛ ○ ●	24	0.10	2.40	3000	1.092	38.60	0.160	4.06	34.4	

Specifications subject to change without notice.



*Motor protective circuit and third lead wire functions

0	1	2	3	4	6	7	8	9	A	B
✓					✓					

*Safety approvals

✓	✓		✓	✓