

Vertical type plastic case
MR-()L

Rectangular connector

Case

Vertical type

Dual spring and screw locking

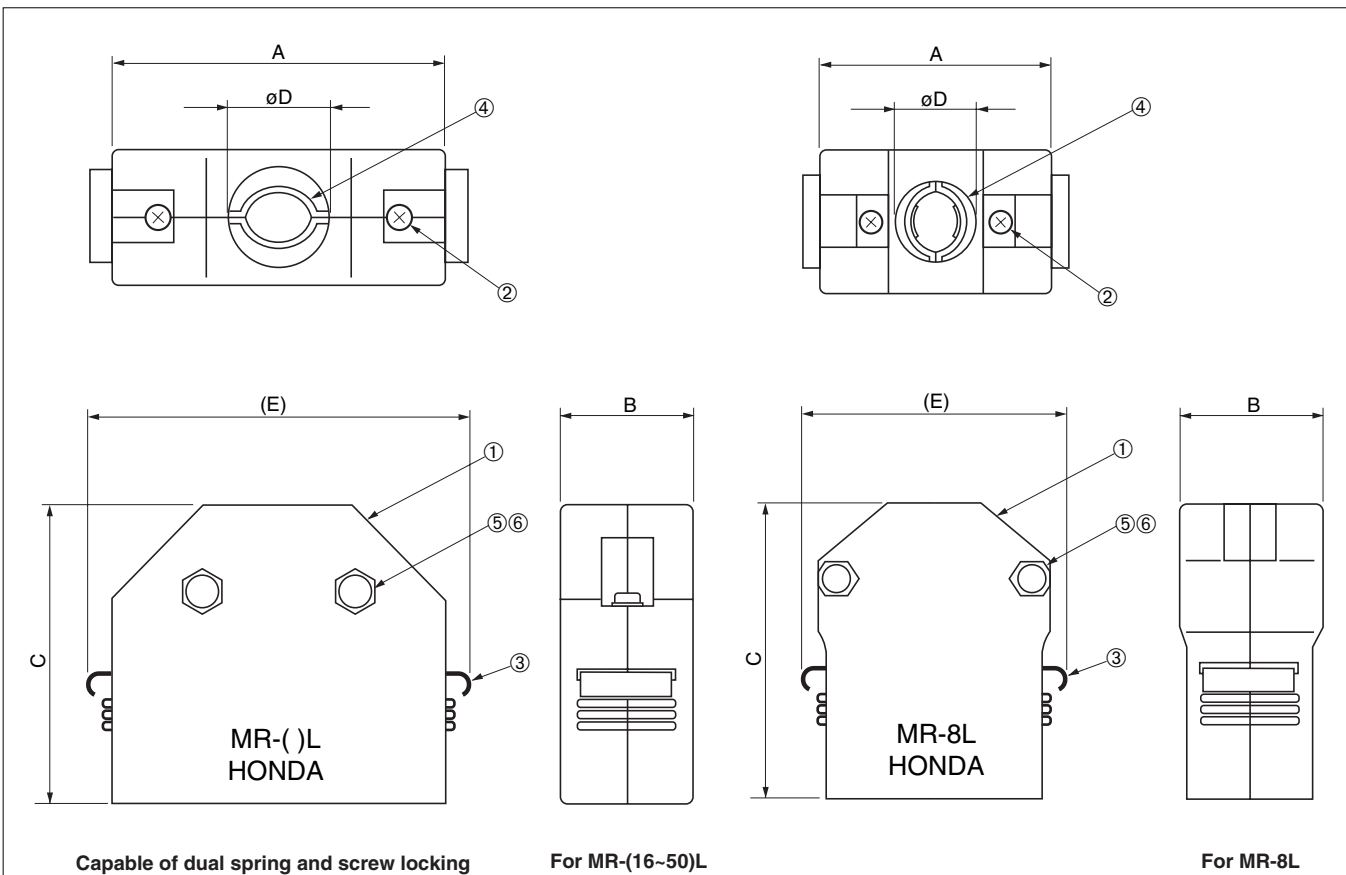


● Configuration of product Part No.

MR-() L

① ② ③

- ① Series name
- ② No. of contacts: 8, 16, 20, 25, 34 or 50
- ③ Form of case: Vertical



● Components

①	Case body
②	Locking screw
③	Spring lock
④	Cable clamp
⑤	Small-sized Phillips head screws
⑥	Hexagon nuts

● Dimensions

Part No.	A	B	C	ϕD	E (Reference)
MR-8L	31.0	19	39.8	11	36.6
MR-16L	36.7		9	42.3	
MR-20L	39.3	18	40.5	11	44.9
MR-25L	44.5			13.5	50.1
MR-34L	52.3		15	57.9	
MR-50L	67.9		16	73.5	

Applicable connectors: Female : MR-()F(), MR-()FW() and MRP-()F01

Male : MR-()M(), MR-()MW() and MRP-()M01

Mating connectors: Female : MR-()RF(), MR-()RFW(), MR-()RFD2() and MR-()RFA() etc.

Male : MR-()RM(), MR-()RMW(), MR-()RMD2() and MR-()RMA() etc.