

NOTES, UNLESS OTHERWISE SPECIFIED:

THE CP-881 IS AN AUTOMATIC WIRE STRIPPING AND FERRULE CRIMPING PRESS THAT IS INTENDED TO BE USED WITH THE CONTINUOUSLY MOLDED FERRULES.

(A) GO TO PANDUIT.COM FOR A LIST OF PRODUCT THAT IS COMPATIBLE WITH THIS UNIT.

TECHNICAL SPECIFICATIONS:

MAIN POWER SUPPLY: 120V / 60 Hz
POWER CONSUMPTION: 80 VA

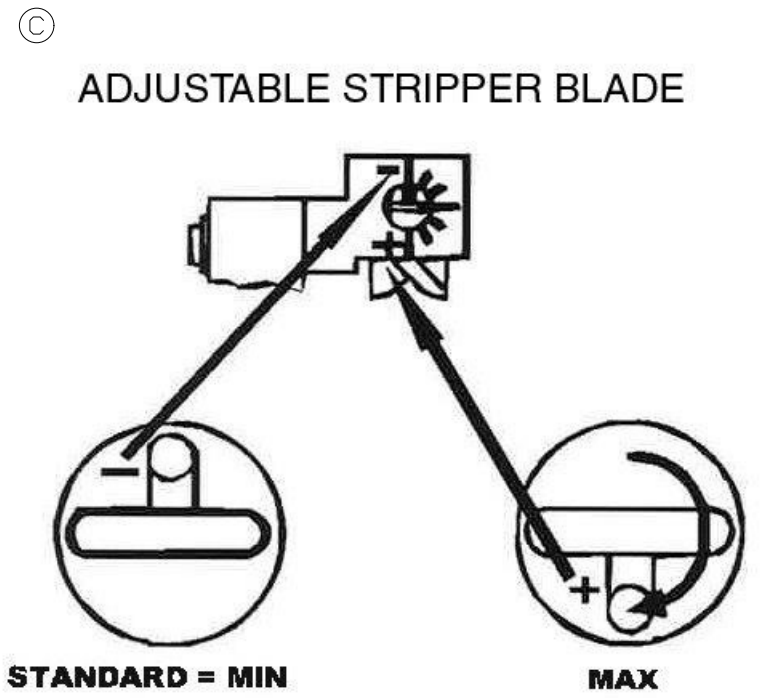
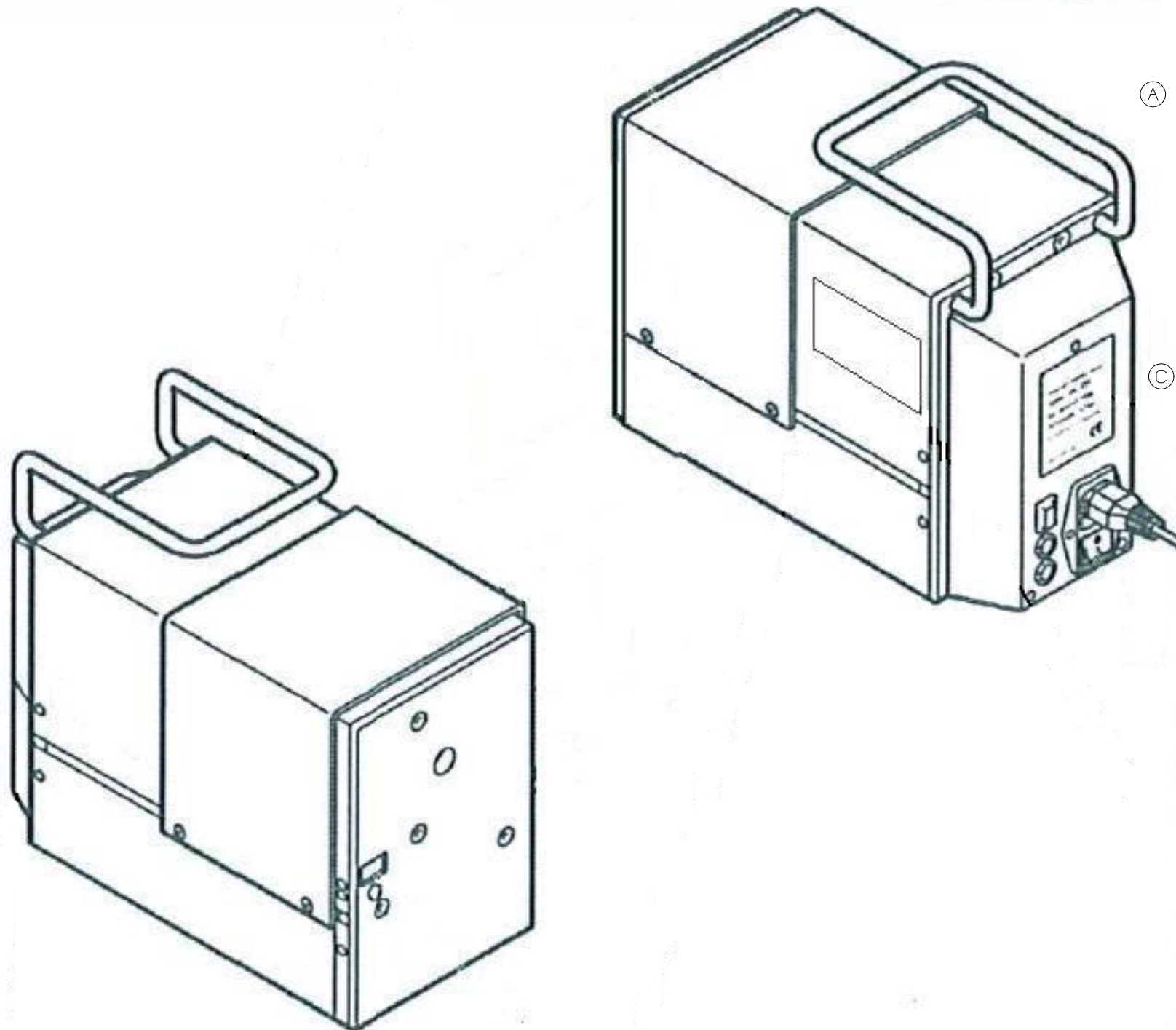
WORKING RANGE: #20 - #14 AWG (0,5 - 2,5 mm²)

SIZE (WIDTH X LENGTH X HEIGHT): 6.5 x 12.6 x 11.0 in.
(165 x 320 x 279 mm)

WEIGHT: APPROX. 26 LB (12 KG)

OPERATING TEMPERATURE RANGE: 59°F to 95°F (15°C to 35°C)

(C) SPECIAL VERSION ADJUSTABLE CUTTING/STRIPPER INSERT IS NEW STANDARD PART. NON- ADJUSTABLE CUTTING/STRIPPER INSERTS AVAILABLE AS OPTION.



REV	DATE	BY	CHK	APR	DESCRIPTION	ECN
04	7/25/16	BWG	BJPU	JADE	MADE "SPECIAL VERSION" ADJUSTABLE CUTTING/STRIPPER AS STANDARD PART.	010052/00

TITLE		CP-881 * CUSTOMER DRAWING	
ITEM REVISION NAME		CUSTOMER DRAWING	
DATASET FILE NAME		R26947BA/04	PANDUIT
		R26947BA_DS_TP26947B01/04A	
UNLESS OTHERWISE SPECIFIED, DIMENSIONAL TOLERANCES ARE: IN [mm]		MATERIAL:	
.x ± .1 [2.54]	.xxx ± .005 [.127]	N/A	
.xx ± .01 [.25]	ANGLES ± 5 °	DRAWING NUMBER:	
THIRD ANGLE PROJECTION		TP26947B01	
DRAWN BY	DATE	CHK	SCALE
MABH	03/21/12	ALP	N/A
SHT 1 OF 1		SIZE	
		B	