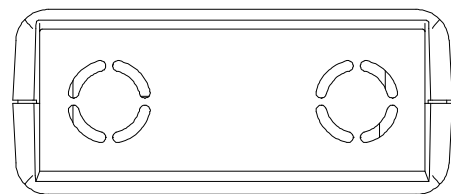


PART NAME

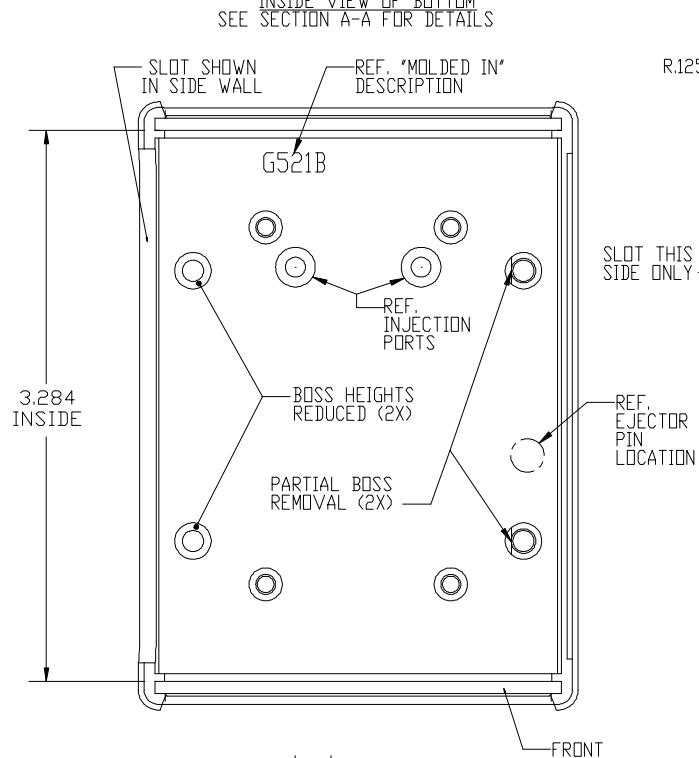
FREEDOM FRDM-KL25Z BOARD ENCLOSURE

PART No.

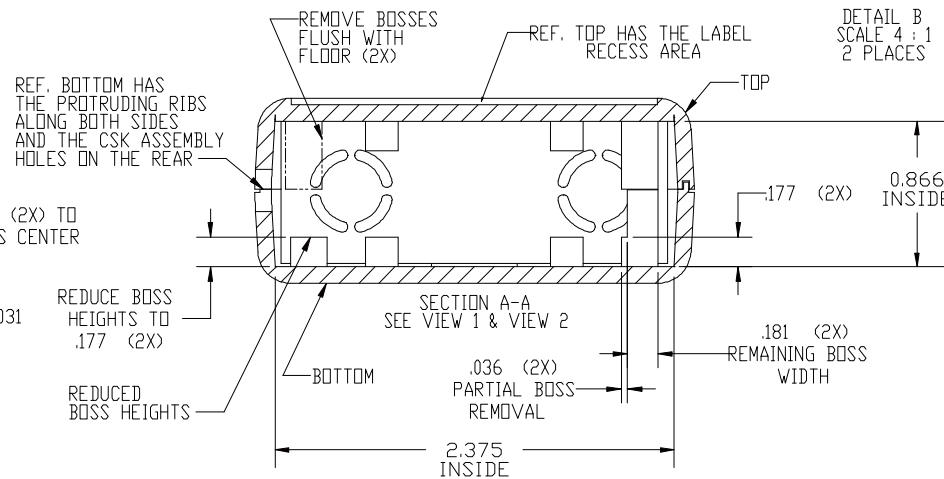
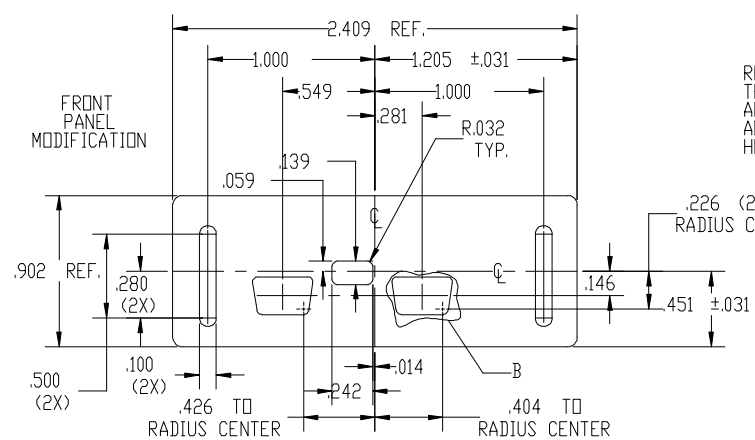
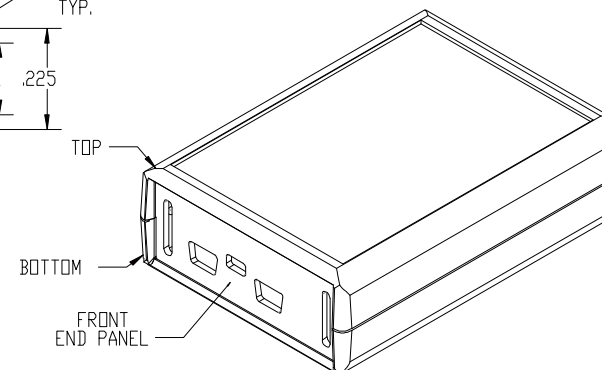
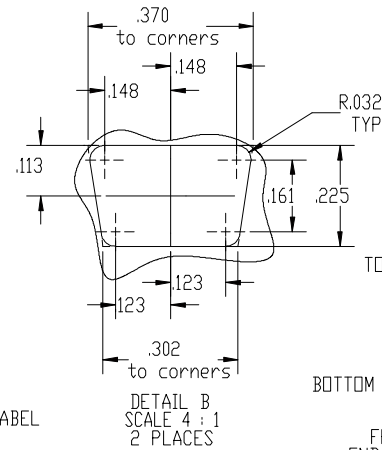
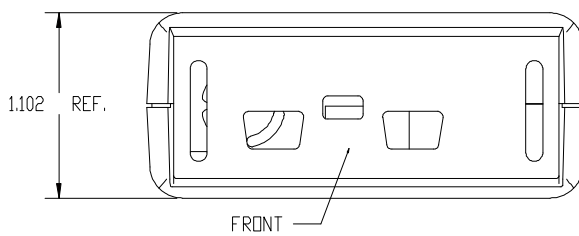
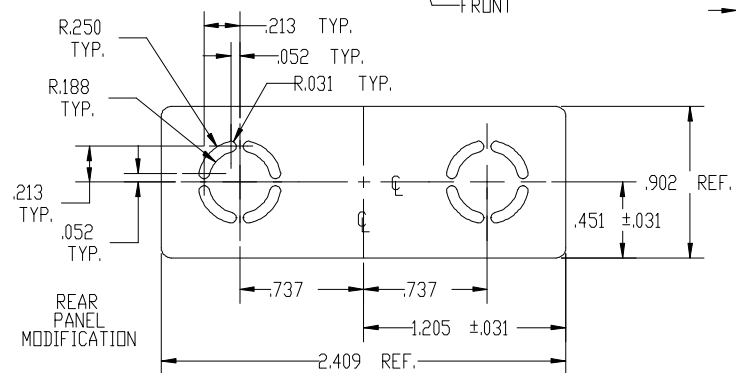
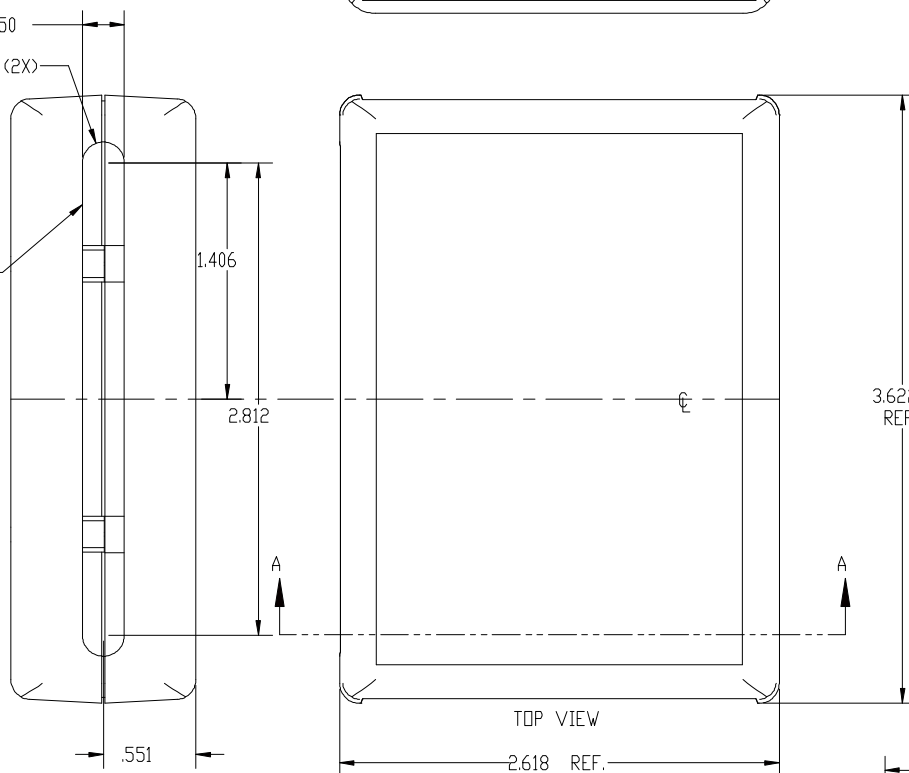
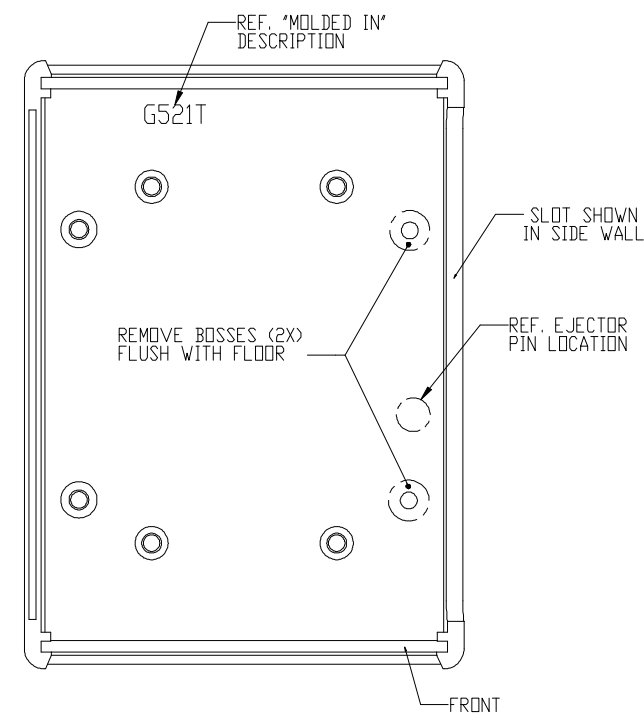
FBB-3665



VIEW 1
INSIDE VIEW OF BOTTOM
SEE SECTION A-A FOR DETAILS



VIEW 2
INSIDE VIEW OF TOP
SEE SECTION A-A FOR DETAILS



NOTES:

1. THIS IS A BUD STANDARD HP-3651-B MODIFIED WITH CUSTOM CUTOUTS, BOSSES REMOVED, AND BOSSES MODIFIED.
2. MUST BE ASSEMBLED AND ORIENTED AS SHOWN.
3. MATERIAL/FINISH: ABS/BLACK