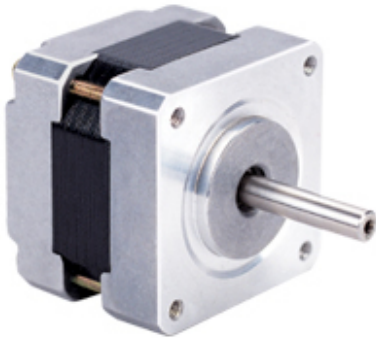
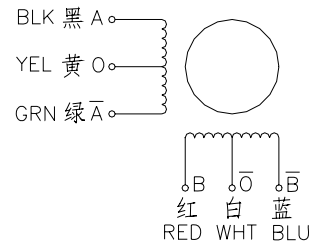
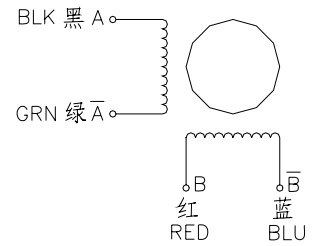


# 2 Phase Hybrid Stepper Motor 16H2A series-Size 39mm(1.8 degree)


**Wiring Diagram:**


UNI-POLAR(6 LEADS)

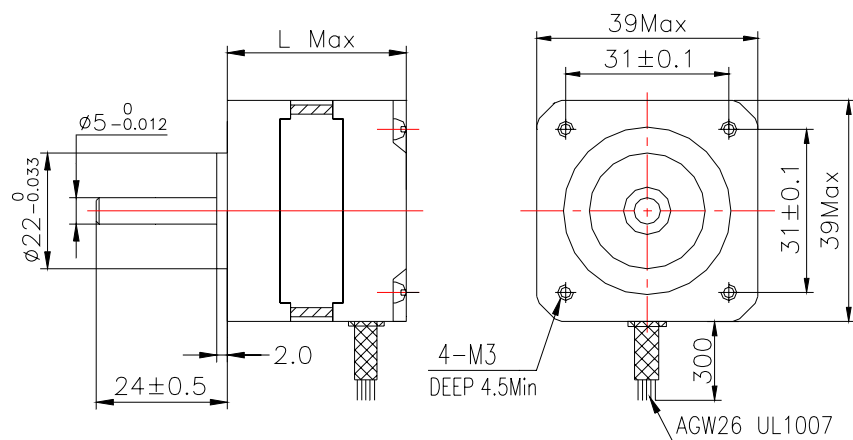


BI-POLAR(4LEADS)

**Electrical Specifications:**

Series Model	Old P/N	Motor Length (mm)	Rated Current (A)	Phase Resistance (ohm)	Phase Inductance (mH)	Holding Torque (N.cm Min)	Detent Torque (N.cm Max)	Rotor Inertia (g.cm <sup>2</sup> )	Lead Wire (No.)	Motor Weight (g)
16H2A9405	16HY9401	22	0.48	18	12	8	0.5	12	4	100
16H2A2406	16HY2410	26	0.6	9	10	14	0.8	14	4	120
16H2A3406	16HY3401	34	0.6	12	13	18	1.0	19	4	160
16H2A3412	16HY3402	34	1.2	3.2	3.0	16	1.0	19	4	160
16H2A3604	16HY3630	34	0.4	30	14	12	1.0	19	6	160
16H2A4406	16HY4401	40	0.6	12	20	24	1.2	24	4	210
16H2A4412	16HY4402	40	1.2	3.8	6.5	24	1.2	24	4	210
16H2A4604	16HY4630	40	0.4	30	22	18	1.2	24	6	210

\*Note: We can manufacture products according to customer's requirements.

**Dimensions: unit=mm**

**Motor Length:**

Model	Length
16H2A0XXX	20 mm
16H2A9XXX	22 mm
16H2A2XXX	26 mm
16H2A3XXX	34 mm
16H2A4XXX	40 mm