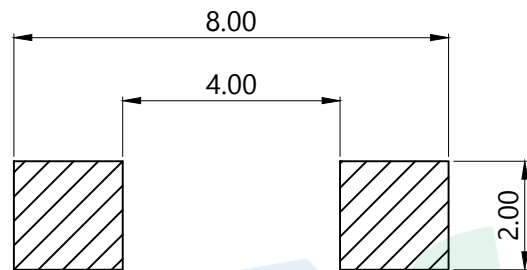
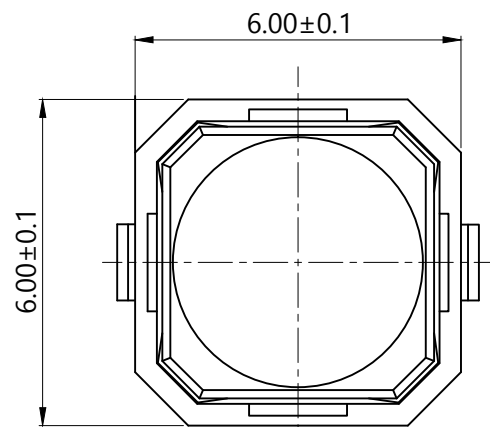


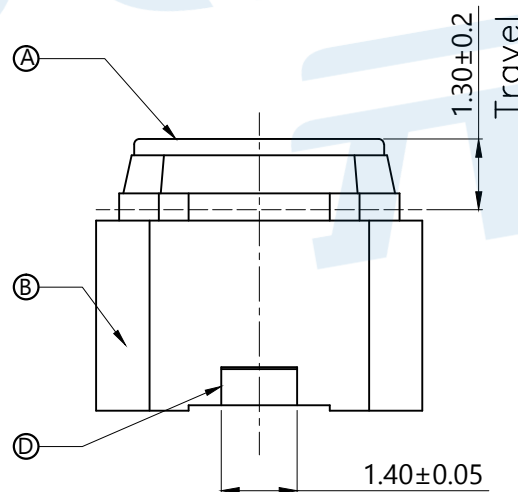
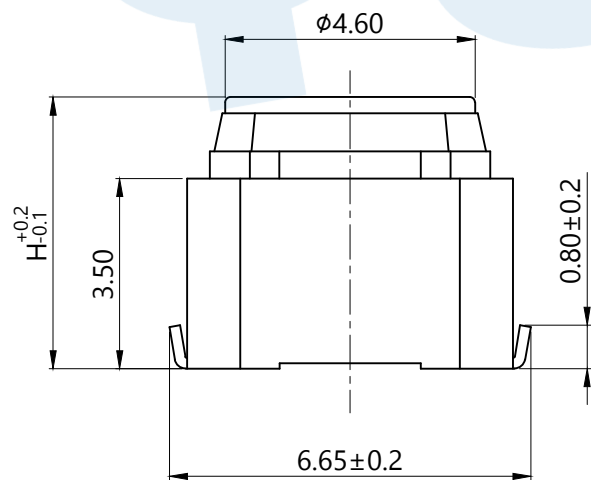
RoHS



PCB Layout(Pattern Side)



Circuit diagram



TOTAL HEIGHT	
CODE	H
A1	4.3
A2	5.0

SHRAPNEL	
CODE	MATERIAL/QTY
D1	C5210/1PCS
D2	SUS/1PCS

OPERATING FORCE	
CODE	VIGOR
B2	180±30gf
B3	250±30gf

NO.	Name	Number	Qty	Materil	Remarks
⑤	Waterproof	silicone	1	Silica gal	Black
④	Terminal		2	Phosphor bronze	Silvering
③	Reed		1	Phosphor bronze	Silver covered
②	Base		1	LCP	Black
①	Button		1	LCP	Black

**YUANDI®** Yuandi Electronics Co, Ltd

design	date	name	TACT SWITCHS
Review	date	name	TS-1068-A□B□-D□
Approved	date	name	

Drawing number: Proportion 1:1 unit mm gage number A4

modify Review Approved Tolerance not specified

angle	±2'
10~30	±0.30
5~10	±0.20
~ 5	±0.10