

PLEASE CHECK WWW.MOLEX.COM FOR LATEST PART INFORMATION

Part Number: [0503237512](#)
Status: **Active**
Description: Spade Tongue Terminal for 14-16 AWG, Closed Uninsulated Brazed Barrel, Stud Size 8 (M4), Oxygen-Free Copper, Length 16.00mm (.630"), Width 7.00mm (.276")

Documents:

[Drawing \(PDF\)](#) [RoHS Certificate of Compliance \(PDF\)](#)
[Product Specification PS-50322-001 \(PDF\)](#)

General

Product Family	Ring and Spade Terminals
Series	50323
Crimp Quality Equipment	Yes
Mil-Spec	N/A
Product Name	Y (Spade)
Type	Spade

Physical

Barrel Type	Closed - Brazed
Insulation	None
Material - Plating Mating	Tin
Packaging Type	Bag
Plating min: Mating (µin)	40
Plating min: Mating (µm)	1
Plating min: Termination (µin)	40
Plating min: Termination (µm)	1
Stud Size	8 (M4)
Termination Interface: Style	Crimp or Compression
Wire Size AWG	14, 16
Wire Size mm ²	1.04 - 2.63

Material Info

Reference - Drawing Numbers

Product Specification	PS-50322-001
Sales Drawing	SD-50323-001

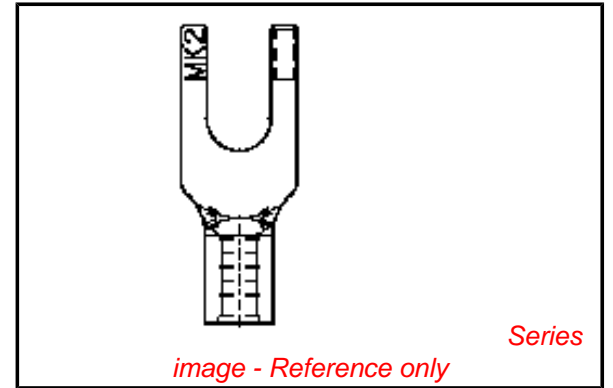


image - Reference only

EU RoHS

ELV and RoHS Compliant
REACH SVHC
 Not Reviewed
Halogen-Free
Status

China RoHS



Not Reviewed

Need more information on product environmental compliance?

Email productcompliance@molex.com
 For a multiple part number RoHS Certificate of Compliance, [click here](#)

Please visit the [Contact Us](#) section for any non-product compliance questions.

Search Parts in this Series

[50323Series](#)

Application Tooling | [FAQ](#)

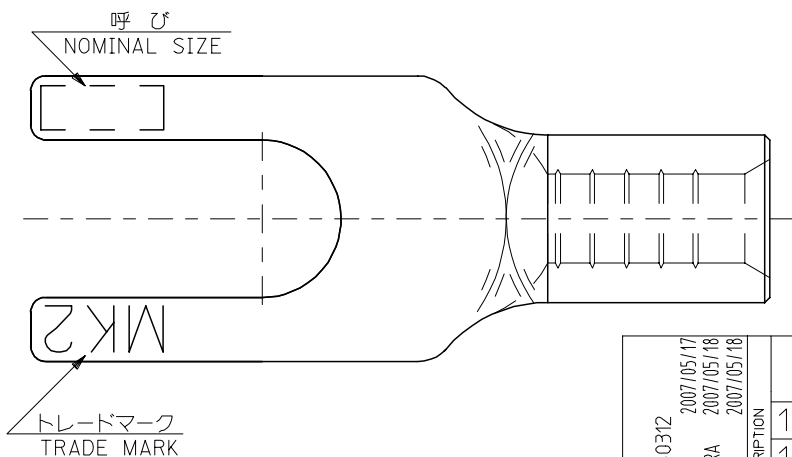
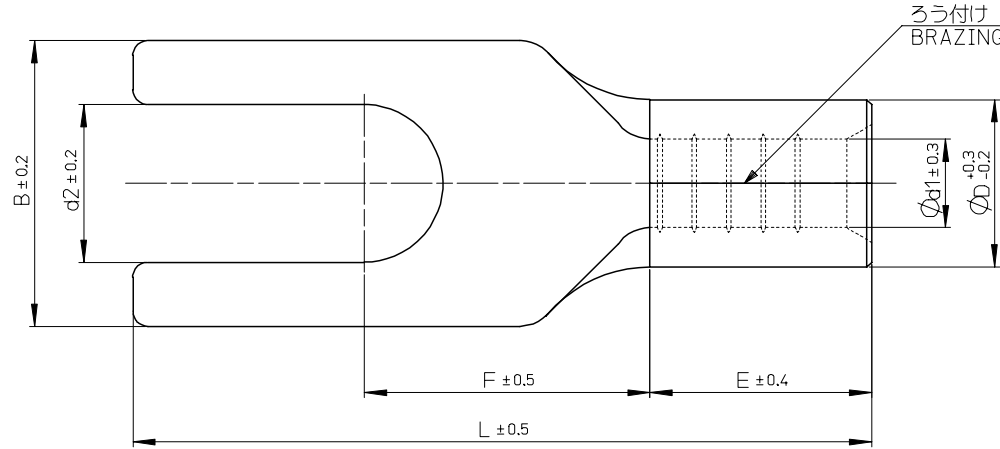
Tooling specifications and manuals are found by selecting the products below. Crimp Height Specifications are then contained in the Application Tooling Specification document.

Japan

Description	Product #
Hand Crimper For JIS Terminal	0572575000
Hand Crimper For JIS Terminal	0573435002
Air Type Hand Crimper For JIS Terminal	0573439005

10 9 8 7 6 5 4 3 2 1

F
E
D
C
B
A



注記 NOTES

- 材質 MATERIAL
端子：無酸素銅、錫めっき
TERMINAL: OXYGEN-FREE COPPER, TIN PLATING
ろう付け部 リン銅ろう
COPPER PHOSPHORUS BRAZING FILLER METALS
(PART OF BRAZING)
- 適用電線 APPLICABLE WIRE RANGE

ENG. NO.	単線(mm) SOLID WIRE	撚線(mm ²) STRANDED (mm) WIRE (mm ²)	AWG
50323-7*12	1.14~1.82	1.04~2.63	#16-#14

0.8	3.7	16	6.6	4.5	2.4	4.1	5.7	Y2	3.5SS	50323-7912
	6.4	20	8.6				12		6	50323-7812
	5.3	16.8	7.3				9.5		5	50323-7712
	4.3	16					8		4L	50323-7612
	3.7	15.8	7.6				7		4	50323-7512
	3.2		6.6				6.4		4S	50323-7412
t	Ød2	L	F	E	Ød1	ØD	B	呼び NOMINAL SIZE	ENG. NO.	

REVISED EC NO: J2007-0312 DRW: H.YAJIMA 2007/05/17 CHK: K.KASAHARA 2007/05/18 APP: NUKITA 2007/05/18	GENERAL TOLERANCES (UNLESS SPECIFIED)	DIMENSION STYLE MM ONLY	SCALE ---	DESIGN UNITS METRIC	THIRD ANGLE PROJECTION
	10 UNDER ± ---	DRAWN BY H. YAJIMA	DATE '06/08/24	TITLE SPADE TERMINAL	
	10 OVER 30 UNDER ± ---	CHECKED BY K. KASAHARA	DATE '06/08/24	MOLEX INCORPORATED	
	30 OVER ± ---	APPROVED BY N. UKITA	DATE '06/08/24	MATERIAL NO. SEE CHART	DOCUMENT NO. SD-50323-001
ANGULAR ± --- °	DRAFT WHERE APPLICABLE MUST REMAIN WITHIN DIMENSIONS		SIZE A3	THIS DRAWING CONTAINS INFORMATION THAT IS PROPRIETARY TO MOLEX INCORPORATED AND SHOULD NOT BE USED WITHOUT WRITTEN PERMISSION	