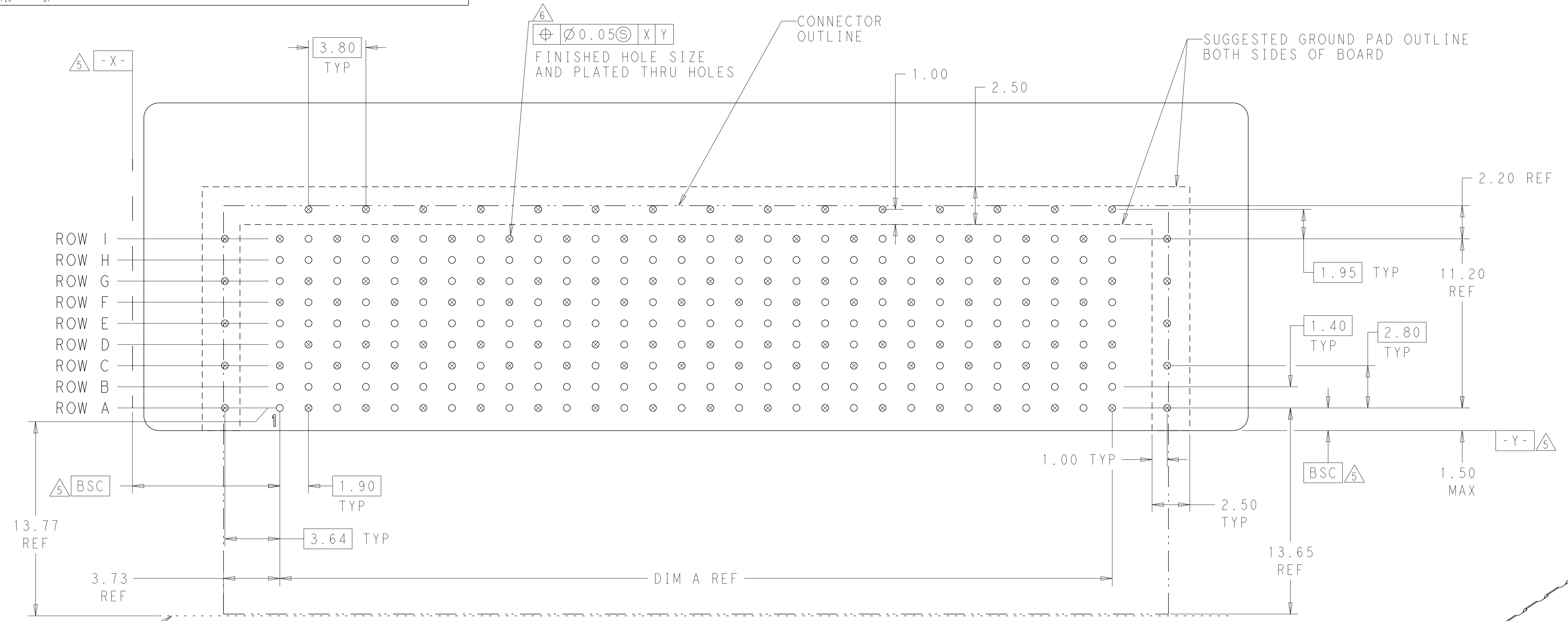
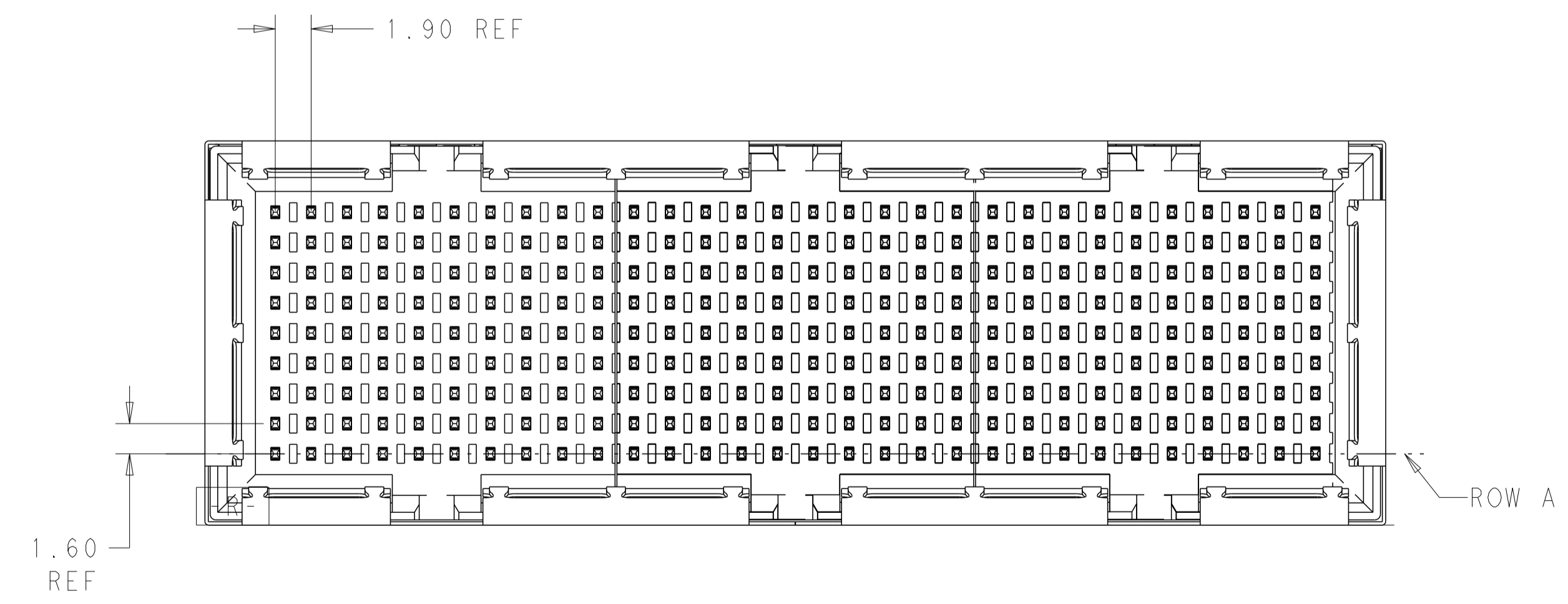
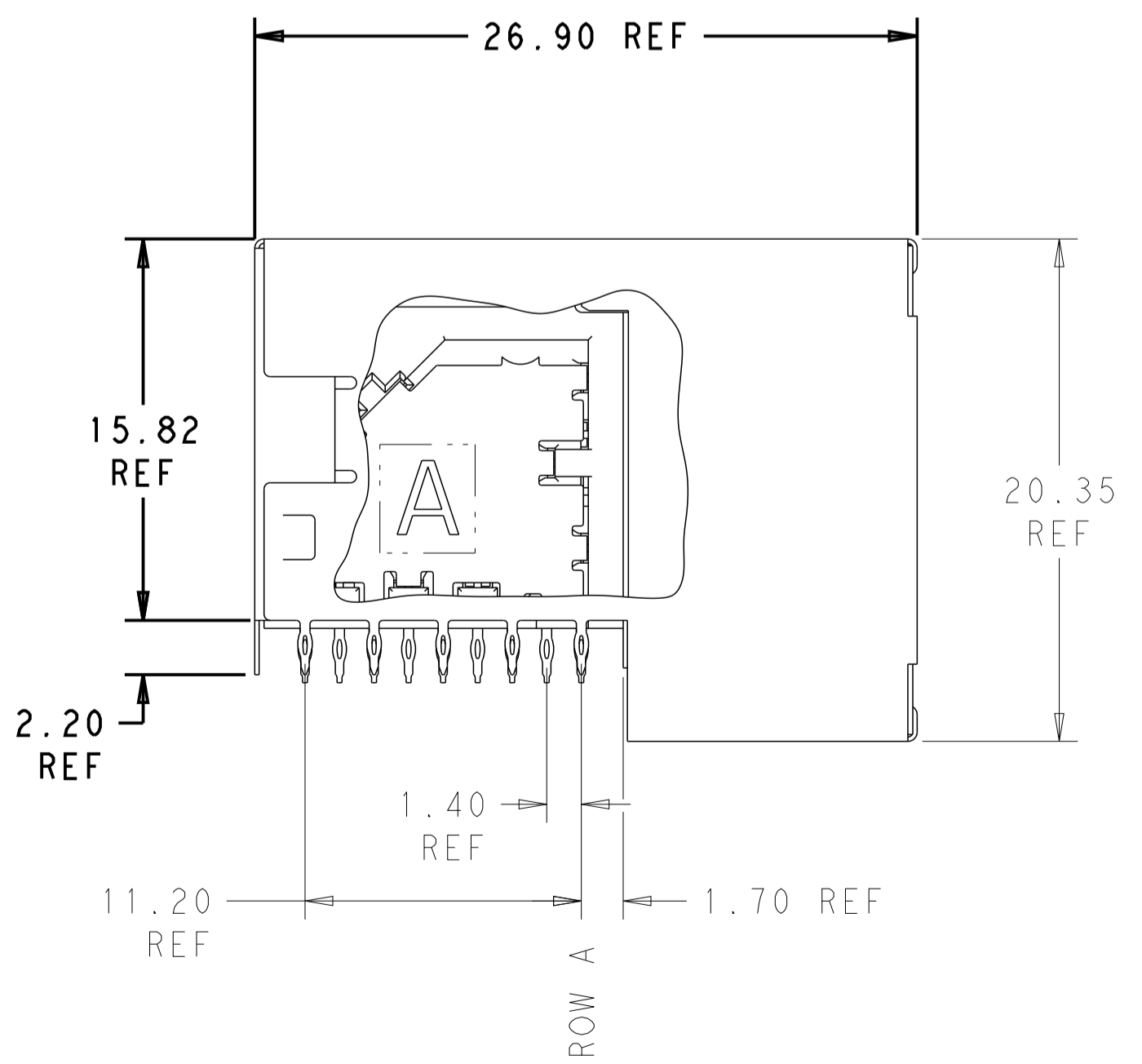
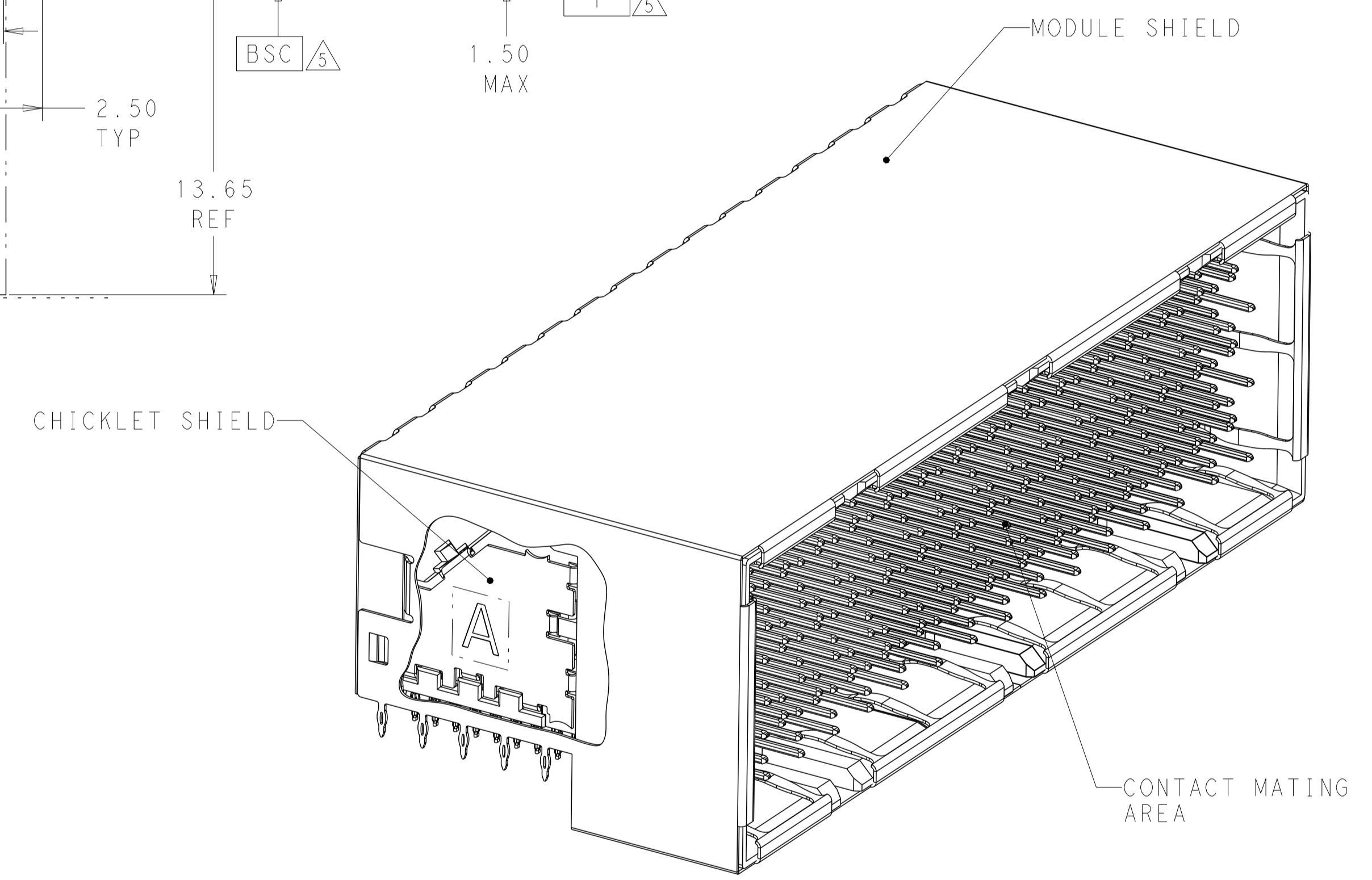


LOC		DIST		REVISIONS			
P	LTN	DESCRIPTION	DATE	DMN	APVD		
3		ADDED COLUMN MARKER	14FEB2012	AT	AT		
4		ADDED GROUND PAD, PLATING NOTES, WEIGHTS	24JULY2012	AT	AT		
5		REVISED NOTES	4SEP2012	DCB	AT		
6		ADDED ADHESIVE NOTE	14OCT2013	DCB	AT		
7		CORRECTED CONNECTOR OUTLINE	30MAY2014	AT	AT		
-	-	-	-	-	-	-	-
-	-	-	-	-	-	-	-



○ = SIGNAL
 △ = GROUND
 RECOMMENDED BOARD LAYOUT
 COMPONENT SIDE SHOWN
 SCALE 6:1



THIS PRODUCT HAS NOT COMPLETED VALIDATION TESTING

THIS PRINT IS
PRELIMINARY
 UNQUALIFIED PRODUCT
 CONTACT PRODUCT ENGINEERING
 BEFORE USING THIS PRINT

THIS DRAWING IS A CONTROLLED DOCUMENT.		DMN D BELACK 26JUL2010
DIMENSIONS:		CHK A TSANG
mm	TOLERANCES UNLESS OTHERWISE SPECIFIED:	APVD M McALONIS
0 PLC	±	PRODUCT SPEC
1 PLC	±0.13	108-2409
2 PLC	±0.05	APPLICATION SPEC
3 PLC	±	114-13267
4 PLC	±	WEIGHT
ANGLES	±2°	SIZE CAGE CODE DRAWING NO
MATERIAL	FINISH	A100779C=2102247
RESTRICTED TO		Customer Drawing
SCALE 4:1		SHEET 1 OF 2
REV 7		

STE TE Connectivity
 Fortis Zed B-PALD, RYA
 SHIELDED MODULE ASSEMBLY

LOC		DIST		REVISIONS			
P	LTN	DESCRIPTION	DATE	DMN	APVD		
-	-	SEE SHEET 1	-	-	-		

△ MATERIAL:
 CONTACT AND CHICKLET SHIELD: PHOSPHOR BRONZE
 HOUSING AND CHICKLET: BLACK LCP
 HOUSING SHIELD: NICKEL SILVER PER UNS C77000
 ADHESIVE: 3M™ BONDING FILM 615S

△ FINISH:
 CONTACT MATING AREA: 1.27µm MIN GOLD OVER
 1.27µm MIN NICKEL
 CHICKLET SHIELD: 1.27µm MIN NICKEL
 COMPLIANT PIN AREA: 0.5µm MIN 93/7 SnPb OVER
 1.27µm MIN NICKEL

△ FINISH:
 CONTACT MATING AREA: 1.27µm MIN GOLD OVER
 1.27µm MIN NICKEL
 CHICKLET SHIELD: 1.27µm MIN NICKEL
 COMPLIANT PIN AREA: 0.5µm MIN Sn OVER
 1.27µm MIN NICKEL


△ DIMENSION APPLIES TO CENTERLINE OF THRU HOLE.

△ DATUMS AND BASIC DIMENSIONS ESTABLISHED BY CUSTOMER.

△ REFERENCE APPLICATION SPEC 114-13267 FOR RECOMMENDED PLATED THRU HOLE DIAMETER AND PLATING THICKNESS.

△ ALL GROUNDS IN ODD NUMBERED COLUMNS ARE COMMONED.
 ALL GROUNDS IN EVEN NUMBERED COLUMNS, EXCEPT FOR ROW A ARE COMMONED.

91.2	119.55	112.10	△3	60 COLUMN	180	2-2102247-6
76.5	100.55	93.10	△3	50 COLUMN	150	2-2102247-5
61.9	81.55	74.10	△3	40 COLUMN	120	2-2102247-4
47.2	62.55	55.10	△3	30 COLUMN	90	2-2102247-3
32.6	43.55	36.10	△3	20 COLUMN	60	2-2102247-2
17.9	24.55	17.10	△3	10 COLUMN	30	2-2102247-1
91.2	119.55	112.10	△2	60 COLUMN	180	2102247-6
76.5	100.55	93.10	△2	50 COLUMN	150	2102247-5
61.9	81.55	74.10	△2	40 COLUMN	120	2102247-4
47.2	62.55	55.10	△2	30 COLUMN	90	2102247-3
32.6	43.55	36.10	△2	20 COLUMN	60	2102247-2
17.9	24.55	17.10	△2	10 COLUMN	30	2102247-1
WEIGHT(g)	DIM "B"	DIM "A"	COMPLIANT PIN PLATING	DESCRIPTION	DIFF PAIRS	PART NUMBER

THIS DRAWING IS A CONTROLLED DOCUMENT.		DMN D. BELACK	26 JUL 2010	 TE Connectivity NAME Fortis Zd. 3-PAIR, R/A, SHIELDED MODULE ASSEMBLY
DIMENSIONS: mm		CHK A. TSANG	APVD M. McALONIS	
TOLERANCES UNLESS OTHERWISE SPECIFIED:		PRODUCT SPEC		
0 PLC ± 1 PLC ±0.13 2 PLC ±0.05 3 PLC ± 4 PLC ± ANGLES ±2° FINISH		APPLICATION SPEC		
MATERIAL		WEIGHT	114-13267	SIZE A100779
Customer Drawing		SCALE 4:1		SHEET 2 OF 2
				REV 7