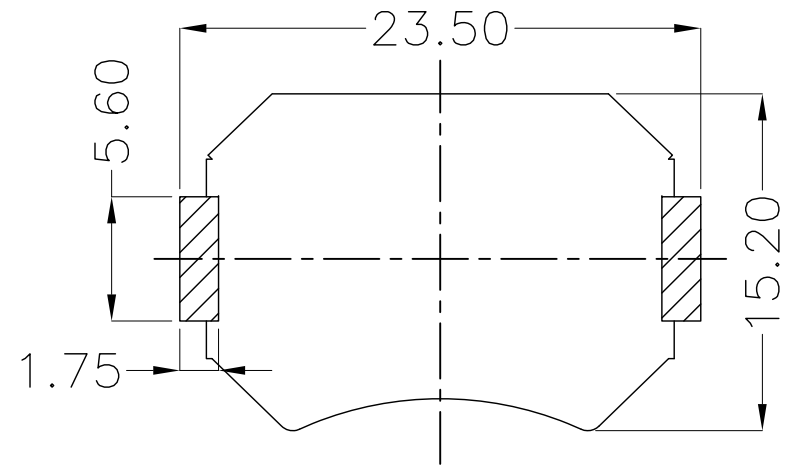
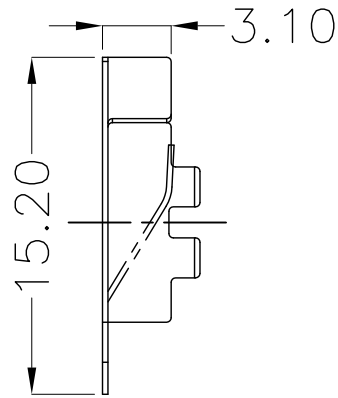
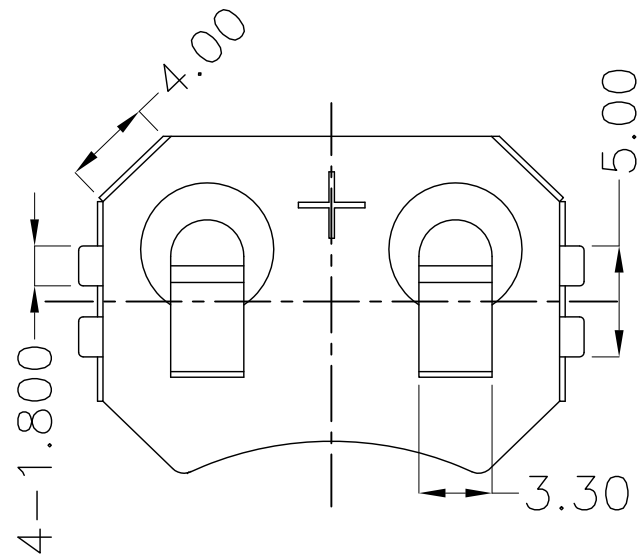
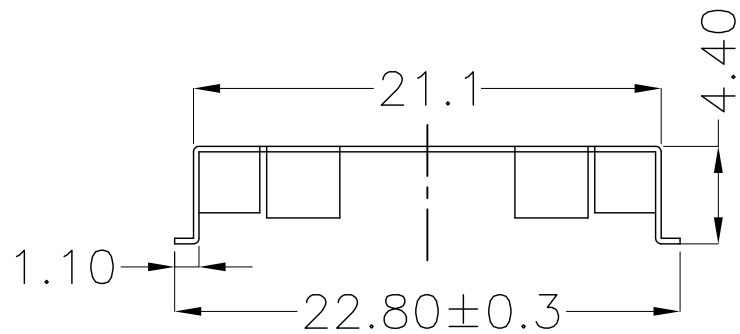




REV.	ECN NO.	REVISED	DATE



PCB Layout Diagram
Top View



工程部
2018-04-19
LQ. HUANG

UNLESS OTHERWISE SPECIFIED TOLERANCES		MYOUNG 美阳 www.meiyangdz.com			
DECIMALS: X :±0.30 X.X :±0.25 X.XX :±0.20 X.XXX :±0.10	ANGLES: X :±1° X.X :±0.5°	DSND	YangFeng	DATE	2017-07-20
		CHKD	ZhouRuicai	DATE	2017-07-20
		APVD	XueShunyong	DATE	2017-07-20
WEIGHT: 0.60g		SCALE: 2:1	SIZE: A4	VIEW:	TITLE: 电池扣CR2032-P
SHEET 1 OF 1		UNIT: mm	REV.: A/0	OBJECT: MY	PART NO.: MY-2032-08
					DRAW NO.:MY-CP-0154

1	TERMINAL(+)	1	PHOSPHOR BRONZE, T=0.25mm	Ni-Plating
NO.	PART NAME	Q'TY	MATERIAL	PLATING & COLOR