

3DC11LP

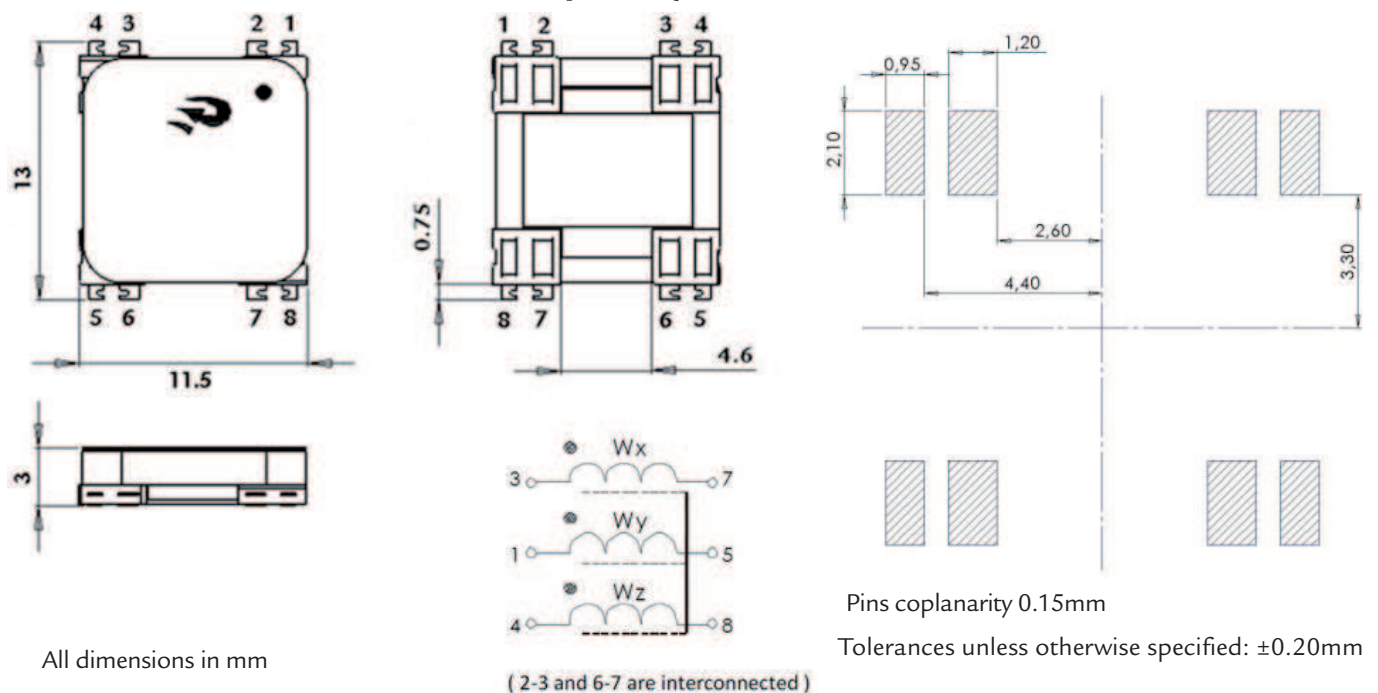
SMD 3D Coil 13x11.6x3.15 mm MAX (2.38 mH – 7.2 mH) Low profile

3-Axes Transponder Inductor (3DCoils)

Characteristics

- Offers 3 coils, oriented in the 3 space axes, assembled in a single component with full functionality.
- Suitable for automotive applications (Keyless Entry Systems, RTPMS), etc.
- Very good electrical performance in the smallest dimensions.
- High stability in temperature (-40°C to +85°C).
- High sensitivity values.
- The inductivity in each axis can be customized to achieve customer requirements.
- Designs at lower frequencies, 20 kHz or 40 kHz, show a very good electrical performance as well.

Dimensions and recommended pad layout



Electrical specifications

P/N	L _{x,y,z} (mH)	Q _{x,y,z} Min	Freq (KHz)	Cres (pF)	SRF _{x,y} (kHz) Min	SRF _z (kHz) Min	DCR _{x,y} (Ohm) Max	DCR _z (Ohm) Max	Sensitivity _{x,y,z} (mV/App/m) Min	Length (mm)	Width (mm)	Height (mm)
3DC11LP-0238J	2.38	25	125	680	500	900	50	50	40	13	11,6	3,15
3DC11LP-0247J	2.47	25	125	656	500	800	50	50	50	13	11,6	3,15
3DC11LP-0345J	3.45	29	125	470	400	800	60	70	55	13	11,6	3,15
3DC11LP-0405J	4.05	30	125	400	400	600	67	67	60	13	11,6	3,15
3DC11LP-0477J	4.77	30	125	340	370	600	70	96	65	13	11,6	3,15
3DC11LP-0491J	4.91	32	125	330	350	600	74	98	65	13	11,6	3,15
3DC11LP-0720J	7.20	25	125	225	330	500	84	120	72	13	11,6	3,15

This chart is a reference guide for the most common required values at working frequency of 125 kHz. Any other inductance value at LF or tighter tolerances can be provided. Also can be supplied different inductance values in the different winding axis. Please contact our sales department for any inquiry.

L and Q factor measured at 125 kHz, 1 Vac.

Sensitivity measured with Helmholtz coils H=8.36 App/m @125 kHz. Contact us for measurement specification.

SRF: Self Resonant Frequency of the coil.