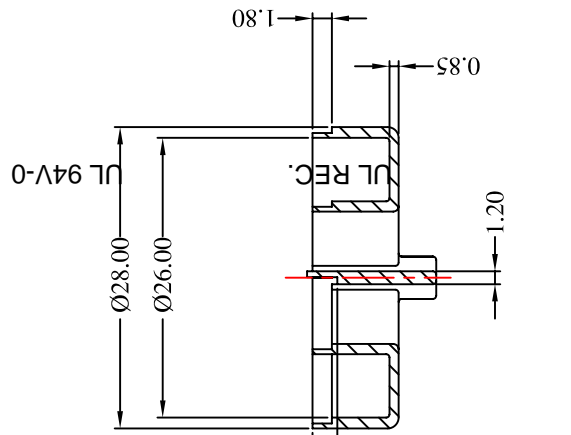
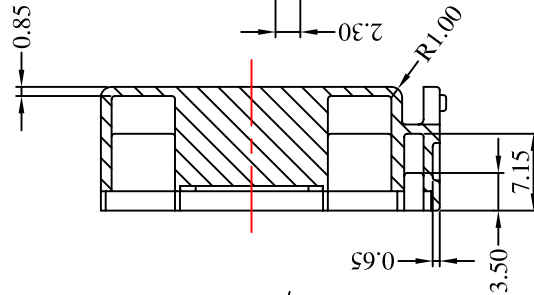


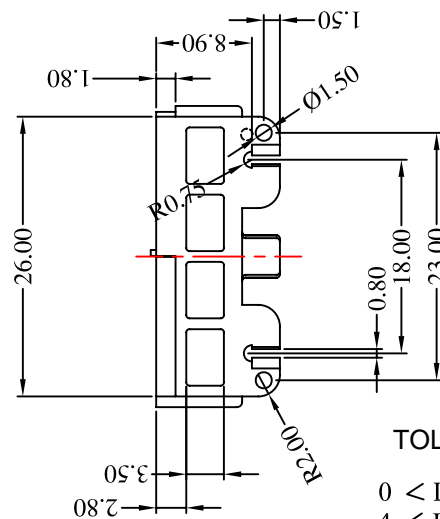
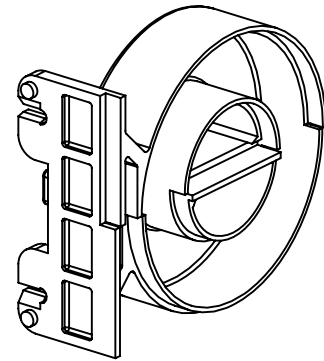
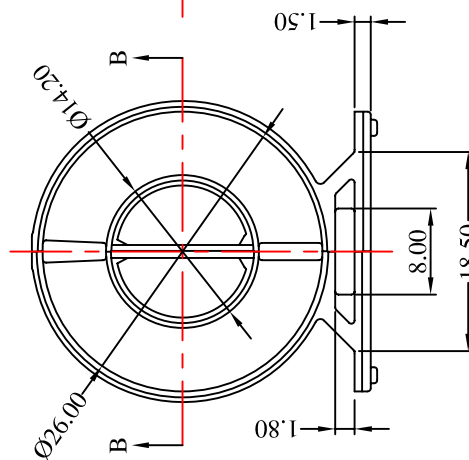
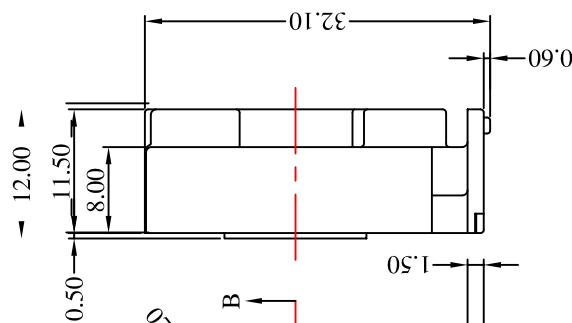
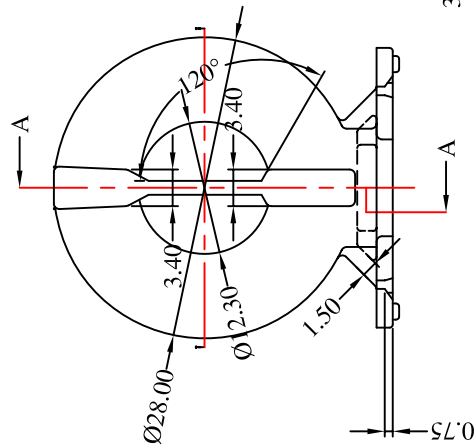
BOBBIN MATERIAL: FR530



SECTION B-B



SECTION A-A



TOLERANCES

0 < L ≤ 4	±0.1
4 < L ≤ 16	±0.2
16 < L ≤ 91	±0.3