

Helping Customers Innovate, Improve & Grow



OX-300 / 301

### Features

- Reflow Process Compatible Optional
- Surface Mount package Optional
- AT-CUT and SC\_CUT Crystal Options
- Low Profile Compact Package

### Applications

- Base stations
- Test equipment
- Synthesizers
- Military communication equipment
- Digital Switching

## Performance Specifications

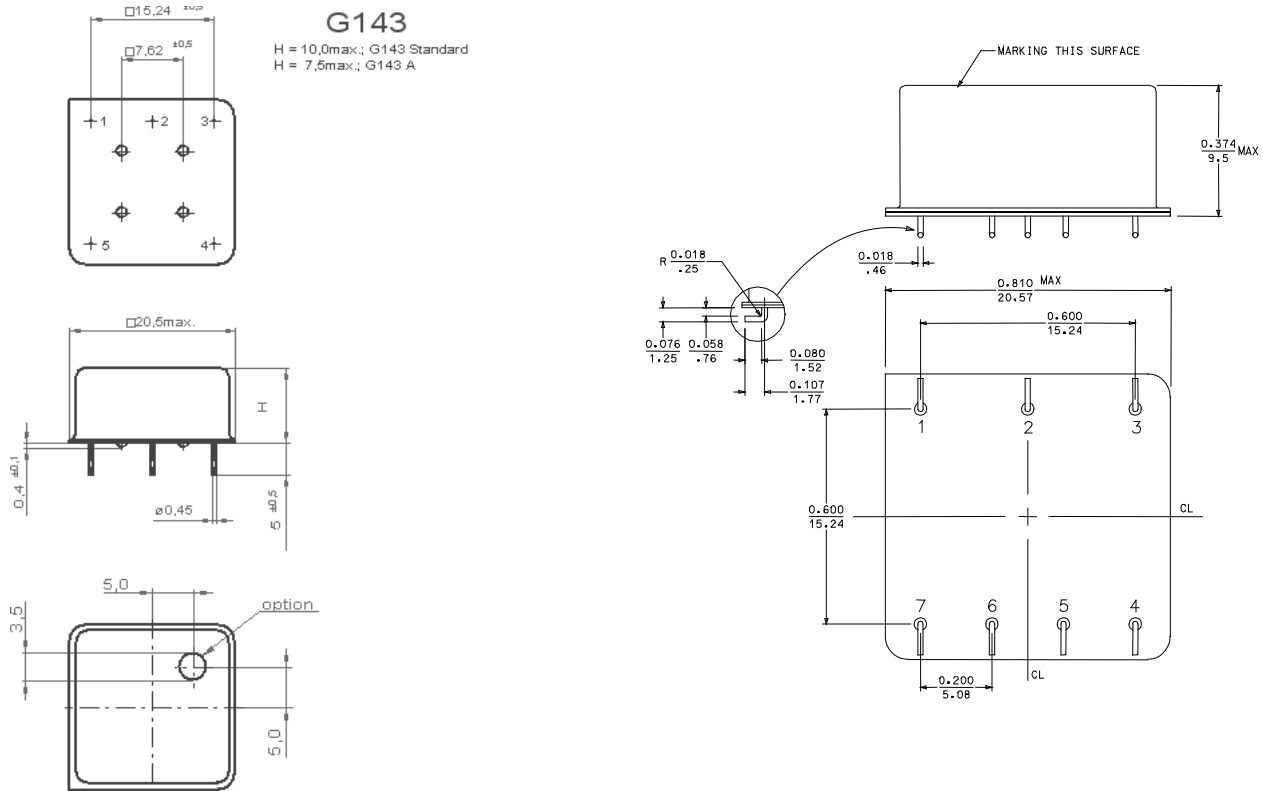
Frequency Stabilities <sup>1</sup> (AT-Cut Crystal-Standard - )						
Parameter	Min	Typical	Max	Units	Condition	Options <sup>5</sup>
vs. operating temperature range (referenced to +25°C)	-100		+100	ppb	-20 to +70°C	
	-200		+200	ppb	-20 to +70°C	
	-200		+200	ppb	-40 to +85°C	
Initial tolerance	-0.5		+0.5	ppm	at time of shipment, nominal EFC $V_s \pm 5\%$ static Load $\pm 5\%$ static after 30 days of operation after 30 days of operation	
vs. supply voltage change	-10		+10	ppb		
vs. load change	-10		+10	ppb		
vs. aging / day	-5		+5	ppb		
vs. aging / year	-250		+250	ppb		
Warm-up time			5	minutes	to $\pm 100$ ppb of final frequency (1 hour reading) @ +25°C	
Frequency Stabilities <sup>1</sup> (SC-Cut Crystal-Option - 10 to 160 MHz)						
vs. operating temperature range (referenced to +25°C)	-10		+10	ppb	-20 to +70°C	
	-20		+20	ppb	-20 to +70°C	
	-20		+20	ppb	-40 to +85°C	
Initial tolerance	-0.2		+0.2	ppm	at time of shipment, nominal EFC $V_s \pm 5\%$ static Load $\pm 5\%$ static after 30 days of operation $\leq 60$ MHz; after 30 days of operation	
vs. supply voltage change	-2		+2	ppb		
vs. load change	-2		+2	ppb		
vs. aging / day	-1		+1	ppb		
vs. aging / year	-75		+75	ppb		
Warm-up time			5	minutes	to $\pm 100$ ppb of final frequency (1 hour reading) @ +25°C	

## Performance Specifications

Supply Voltage (Vs)					
Parameter	Min	Typical	Max	Units	Condition
Supply voltage (standard)	3.135	3.3	3.465	VDC	
	4.75	5.0	5.25	VDC	
	11.4	12.0	12.6	VDC	
Power consumption			3.0	Watts	during warm-up
			1.0	Watts	steady state @ +25°C
RF Output					
Signal [standard]	HCMOS				
Load		15		pF	
Signal Level (Vol)			0.4	VDC	with Vs=3.3V and 15pF Load
Signal Level (Vol)			0.5		with Vs=5.0V & 12V and 15pF Load
Signal Level (Voh)	2.4			VDC	with Vs=3.3V and 15pF Load
Signal Level (Voh)	3.5				with Vs=5.0V & 12V and 15pF Load
Duty Cycle	45		55	%	@ (Voh-Vol)/2
Signal	Sine Wave				
Load		50		Ω	
Output Power @3,3V	2	5	8	dBm	50 Ω load
Putput Power @ 5.0V	5	8	11	dBm	50 Ω load
Harmonics			-30	dBm	50 Ω load
Frequency Tuning (EFC)					
Tuning Range	Fixed OCXO; No adjust				
Tuning Range	±3.0		±8	ppm	with AT cut crystal
	±1.0		±2.5	ppm	with SC cut crystal
Linearity	10%				
Tuning Slope	Positive				
Control Voltage Range	0.0	1.4	2.8	VDC	with Vs=3.3V
	0.0	2.0	4.0		with Vs=5.0V
	0.0	2.0	4.0	VDC	with Vs=12.0V
Reference Voltage Output (Vref)					
Reference Voltage	2.75	2.8	2.85	VDC	with Vs = 3.3 VDC
	3.92	4.0	4.08	VDC	with Vs = 5.0 VDC
	4.9	5.0	5.1	VDC	with Vs =12 VDC
Additional Parameters					
Phase Noise <sup>3</sup>			-90	dBc/Hz	1 Hz
			-120	dBc/Hz	10 Hz
			-140	dBc/Hz	100 Hz
			-145	dBc/Hz	1 kHz
			-150	dBc/Hz	10 kHz
Phase Noise <sup>3</sup>			-75	dBc/Hz	1 Hz
			-105	dBc/Hz	10 Hz
			-130	dBc/Hz	100 Hz
			-140	dBc/Hz	1 kHz
			-150	dBc/Hz	10 kHz
Weight			14	g	
Processing & Packing	Handling & Processing Note				

Absolute Maximum Ratings					
supply voltage (Vs)			6.5	V	with Vs=3.3 & 5.0VDC
			15.0	V	with Vs= 12 VDC
Output Load			50	pF	
Operable Temperature Range	-55		+85	°C	
Storage Temperature Range	-55		+125	°C	

## Outline Drawing / Enclosure



OX-300	
Height "H"	Pin Length "L"
10.0	4.5 min.

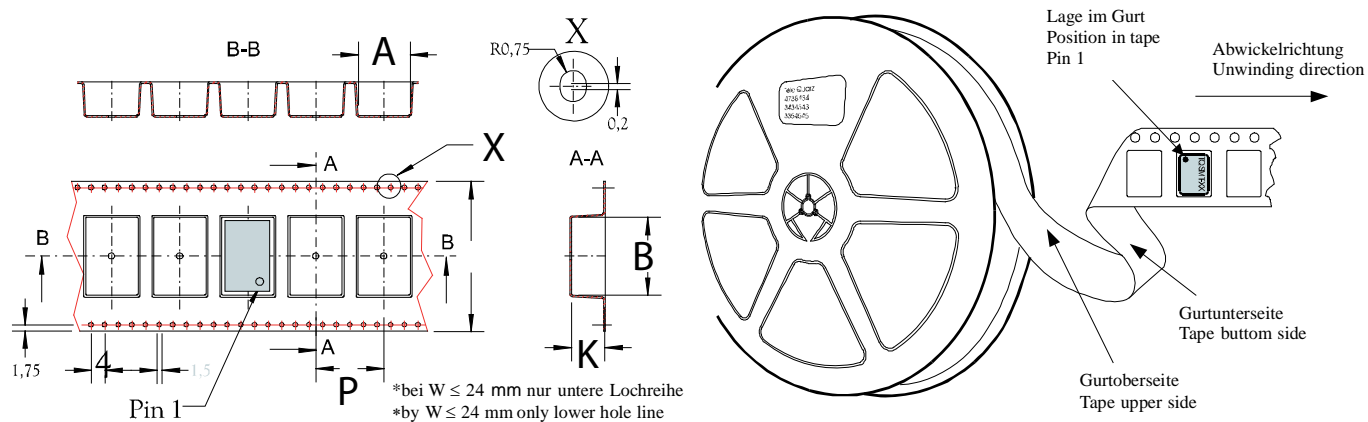
OX-301	
Height "H"	Pin Length "L"
12.7	N.A

Pin Connections	
1	Supply Voltage Input (VS)
2	RF Output
3	Ground (Case)
4	Electronic Frequency Control Input (EFC)
5	N.C or Reference Voltage Option (must remain un connected)

Pin Connections	
1	Supply Voltage Input (VS)
2	RF Output
3	Ground (Case)
4	Electronic Frequency Control Input (EFC)
5	N.C. (must remain unconnected)
6	RF Output Enable (Option)
7	Reference Voltage Output

Dimensions in mm

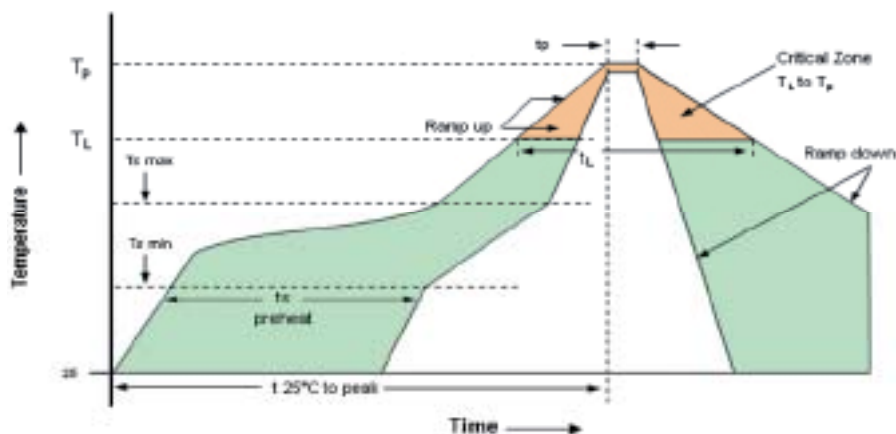
# Standard Shipping Method (OX-301)



Enclosure Type	Tape Width W (mm)	Quantity per meter	Quantity per reel	Dimension P
Typ OX-301	44	37.5	280	32

## Recommended Reflow Profile

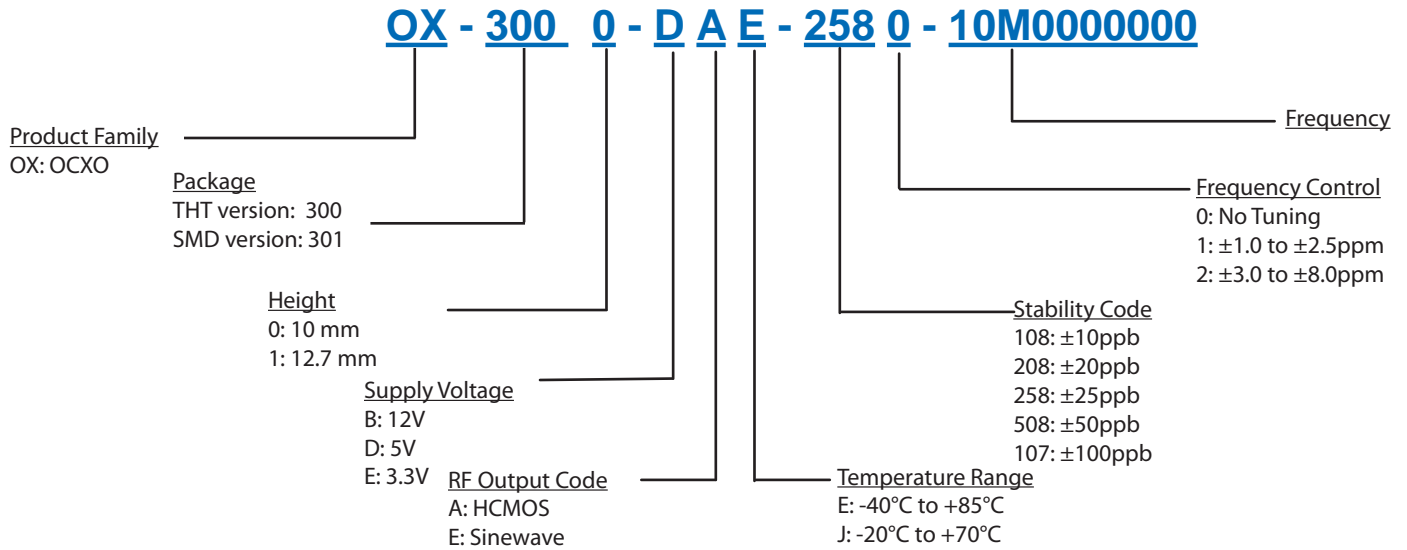
### Solderprofile:



Profile Feature	Pb-Free Assembly/ Sn-Pb Assembly	Profile Feature	Pb-Free Assembly/ Sn-Pb Assembly
Average ramp-up rate ( $T_L$ to $T_p$ )	3°C/second max.	Time 25°C to Peak Temperature	8 minutes max.
Preheat -Temperature Min $T_{smin}$ -Temperature Min $T_{smax}$ -Time (min to max) $t_s$	150°C 200°C 60-180 seconds	Time maintained above -Temperature ( $T_L$ ) -Time ( $t_L$ )	217°C 60-150 seconds
$T_{smax}$ to $T_L$ -Ramp-up Rate	3°C/second max		
Time maintained above -Temperature ( $T_L$ ) -Time ( $t_L$ )	217°C 60-150 seconds	Time within 5°C of actual Peak Temperature ( $t_p$ )	20-40 seconds
Peak Temperature ( $T_p$ )	max 260°C	Ramp-down Rate	6°C/ second max

**Note:** All temperatures refer to topside of the package, measured on the package body surface.

## Ordering Information



**Notes:**

1. Contact factory for improved stabilities or additional product options. Not all options and codes are available at all frequencies.
2. Unless other stated all values are valid after warm-up time and refer to typical conditions for supply voltage, frequency control voltage, load, temperature (25°C).
3. Phase noise degrades with increasing output frequency.
4. Subject to technical modification.
5. Contact factory for availability.

## For Additional Information, Please Contact

**USA:**

Vectron International  
267 Lowell Road  
Hudson, NH 03051  
Tel: 1.888.328.7661  
Fax: 1.888.329.8328

**Europe:**

Vectron International  
Landstrasse, D-74924  
Neckarbischofsheim, Germany  
Tel: +49 (0) 3328.4784.17  
Fax: +49 (0) 3328.4784.30

**Asia:**

Vectron International  
1F-2F, No 8 Workshop, No 308 Fenju Road  
WaiGaoQiao Free Trade Zone  
Pudong, Shanghai, China 200131  
Tel: 86.21.5048.0777  
Fax: 86.21.5048.1881

**Disclaimer**

Vectron International reserves the right to make changes to the product(s) and or information contained herein without notice. No liability is assumed as a result of their use or application. No rights under any patent accompany the sale of any such product(s) or information.

Rev: 8/2008