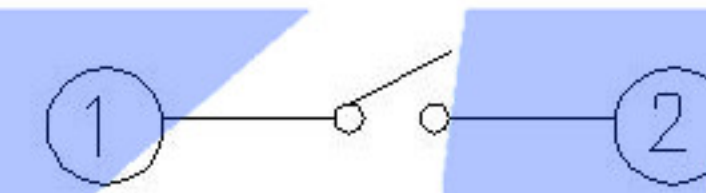


CIRCUIT DIAGRAM

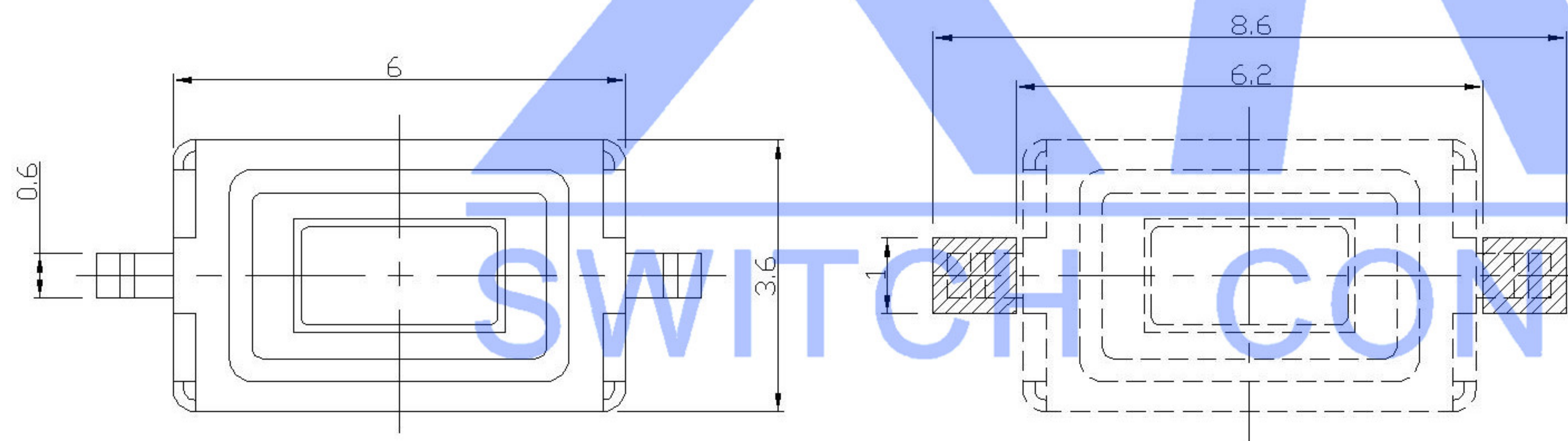


SPECIFICATION

Contact Rating : 50mA,12V DC
 Contact Resistance : 100mΩ max
 Insulation Resistance : 100mΩ
 min.500V DC
 Dielectric Strength : 250V
 AC/1minute
 Travel : 0.25mm
 Operating Temp : -30℃~+85℃
 Storage Temp : -30℃~+80℃

P.C.B MOUNTING PATTERN DIMENSION

The following soldering patterns are recommended for reflow soldering



PAPT NO	TS-1101-X-X
Operating Force	A:100gf B:160gf C:260gf
Height	H:2.5
color	R:Red W:white

⑤	Terminal	—	2	Brass (0.30t)	Plating silvering	—
④	Contact	—	1	F.ag/Sus	Natural	—
③	Base	—	1	Lcp		—
②	Cover	—	1	Brass	Plating Nickel	—
①	Keystake	—	1	Pa46		—
ITEM	PAPT NAMF	TER.NO	QTY	MATERIAL	FINISHING	REMARK

					units: mm	DSND		DATE		SCALE: N/A	MODEL TYPE: TACT SWITCH	
ΔX					tolerance:	DWN		DATE		VIEW:	PART NO.:	
ΔX					X.X ±0.2mm	CHKD		DATE		UNIT: mm	DWG NO.:	
ΔX					X.XX ±0.1mm	APPD		DATE		SIZE: A4	TS-1101-X-X	
MARK	DESCRIPTION	DATE	REVISED	APPROVED	X.XXX ±0.05mm	XKB INDUSTRIAL PRECISION CO.,LIMITED				WEIGHT	SHEET	REVISION
REVISIONS					UNSPECIFIED TOLERANCES					1.0g	1/1	A0
www.xk-dg.cn www.helloxkb.com www.helloxkb.cn												