

OFFLINE ISOLATED FLYBACK TRANSFORMERS



P3799 SERIES



- Designed for use with the Linear Technology™ LT3799-1 LED Controller
- Isolation: 4500Vrms, 1mA, 5S (Pri, Aux to Sec)
1250Vrms, 1mA, 5S (Pri to Aux)
- Operating Temperature: -40°C to +125°C
- RoHS Compliant Product
- Custom Design Available

ELECTRICAL PARAMETERS @25°C

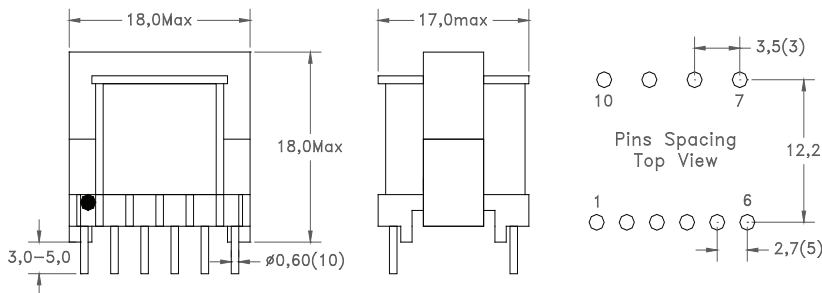
Part Number	Input Voltage (V)	Switching Frequency (KHz)	Primary OCL ($\mu\text{H} \pm 10\%$)	Primary Pins	Aux Output V / A	Aux Pins	Secondary Output V / A	Secondary Pins
P3799-1	90-265	100	600	2-1	18 / 0.01	4-5	14 / 1	10,9 - 8,7
2	80-265	100	600	2-1	20 / 0.01	4-5	28 / 0.5	10,9 - 8,7
3	85-265	150	400	4-2	20 / 0.01	6-5	85 / 0.4	9 - 11
4	85-265	150	460	4-2	20 / 0.01	6-5	85 / 0.4	9,8 - 10,11
5	120-375	75	100	2-4	20 / 0.01	6-7	125 / 0.36	14,13,12 - 8,9,10
6	120-375	200	300	2-4	18 / 0.01	6-7	18 / 5	14,13,12 - 8,9,10
7	120-375	75	180	2-4	25 / 0.01	6-7	36 / 3	14,13,12 - 8,9,10

NOTES:

- Primary OCL measured at 10KHz, 0.1Vrms
- Please contact MPS for complete electrical parameters.

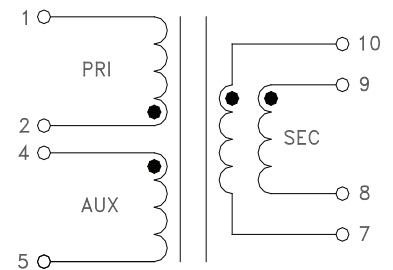
DIMENSIONS (mm)

P3799-1 & P3799-2



SCHEMATIC

P3799-1 & P3799-2



Dimensions

Unless otherwise specified, all tolerances are:
 inch: .XX : ± 0.015 .XXX : ± 0.004
 mm: X.X : ± 0.38 X,XX : ± 0.10

Product performance is limited to specified parameters. Data is subject to change without prior notice.

Tel: 310-325-1043
 Fax: 310-325-1044

www.mpsind.com
 sales@mpsind.com

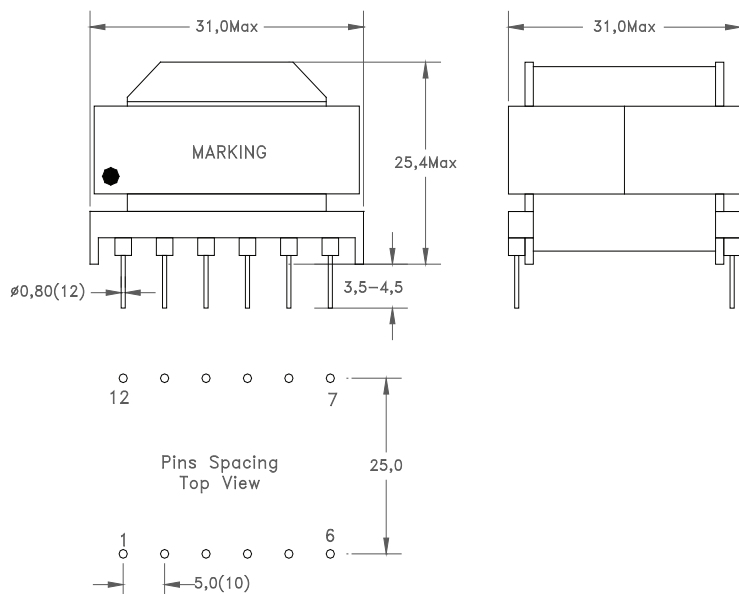
OFFLINE ISOLATED FLYBACK TRANSFORMERS



P3799 SERIES

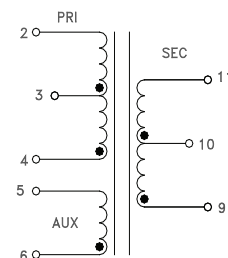
DIMENSIONS (mm)

P3799-3 & P3799-4

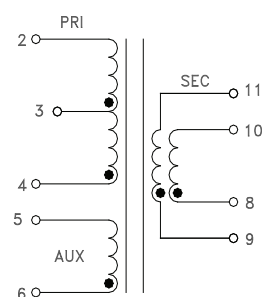


SCHEMATIC

P3799-3

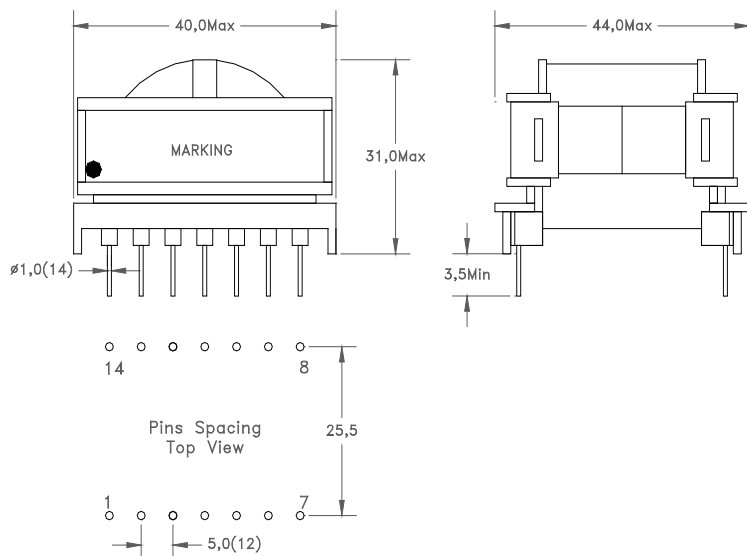


P3799-4



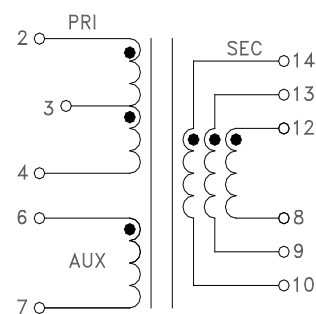
DIMENSIONS (mm)

P3799-5, P3799-6, P3799-7



SCHEMATIC

P3799-5, P3799-6, P3799-7



Dimensions

Unless otherwise specified, all tolerances are:

inch: .XX : ±0.015 .XXX : ±0.004

mm: X.X : ±0,38 X,XX : ±0,10

Product performance is limited to specified parameters. Data is subject to change without prior notice.

Tel: 310-325-1043
Fax: 310-325-1044

www.mpsind.com
sales@mpsind.com