

RL-2230

50/60 HZ TRANSFORMERS FLAT/TRAN™

DESCRIPTION

- Flat Transformer

ENVIRONMENTAL DATA

- Storage temperature range: -55°C to +130°C
- Operating temperature range: -40°C to +130°C

PACKAGING INFORMATION

- Packaging information: pg. 493

FEATURES & APPLICATIONS

- Specifically designed for convenient PCB mounting
- The low overall height permits close spacing of adjacent PCB to obtain maximum system density
- Using nonconcentric side-by-side winding reduces the interwinding capacitance and eliminates the need for electrostatic shielding
- Dual primary winding permit designs for 115/230 VAC, 50/60 Hz applications

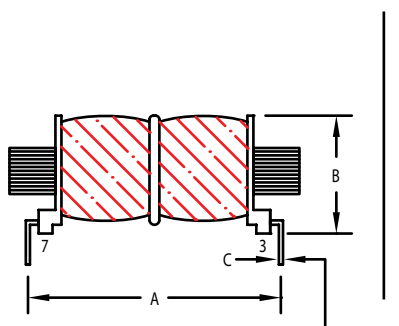
Verify operation with sample in actual circuit. Order samples at www.rencousa.com.

MECHANICAL DIMENSIONS

U.S. Standard (mm)

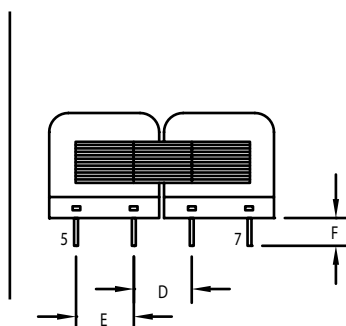
PART NUMBER	A	B (MAX.)	C	D (TYP.)	E (TYP.)	F (MIN.)	G (MAX.)	H (TYP.)	I (MAX.)
RL-2230-2	1.60 (40.64)	0.650 (16.51)	0.041 (1.04) x 0.020 (0.51)	0.375 (9.53)	0.38 (9.53)	0.250 (6.35)	1.87 (47.50)	N/A	1.56 (39.62)
RL-2230-6	1.60 (40.64)	0.850 (21.59)	0.041 (1.04) x 0.020 (0.51)	0.375 (9.53)	0.38 (9.53)	0.250 (6.35)	1.87 (47.50)	N/A	1.56 (39.62)
RL-2230-12	2.00 (50.80)	1.065 (27.05)	0.041 (1.04) x 0.020 (0.51)	0.500 (12.70)	0.50 (12.70)	0.250 (6.35)	2.50 (63.50)	N/A	2.00 (50.80)
RL-2230-24	1.90 (48.26)	1.250 (31.75)	0.041 (1.04)	0.530 (13.46)	0.60 (15.24)	0.250 (6.35)	2.87 (72.90)	N/A	2.25 (57.15)
RL-2230-48	2.18 (55.37)	1.375 (34.93)	0.041 (1.04)	0.660 (16.76)	0.60 (15.24)	0.250 (6.35)	3.12 (79.25)	2.50 (63.50)	2.50 (63.50)

FRONT VIEW

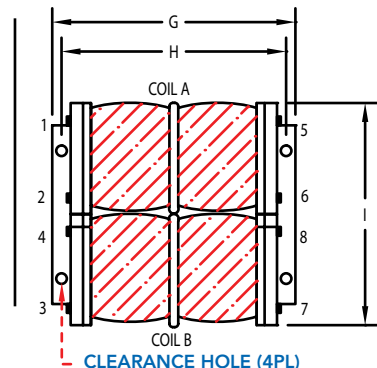


PIN DIMENSION SQ.

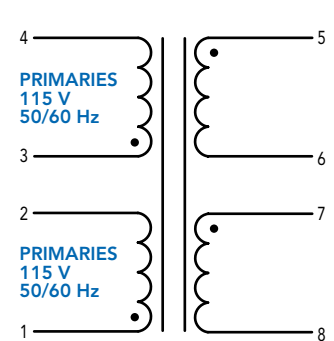
SIDE VIEW



BOTTOM VIEW



SCHEMATIC



RENCO ELECTRONICS INC.



595 International Place, Rockledge, FL 32955-4200 USA • www.rencousa.com • ISO 9001 Certified
Toll Free Engineering Hot Line: 800.645.5828 • P: 321.637.1000 • F: 321.637.1600

RL-2230

Renco Part No.	VA (Size)	Series	Parallel
RL-2230-10-250	2	10V C.T. @ 250 mA	5V @ 500 mA
RL-2230-10-600	6	10V C.T. @ 600 mA	5V @ 1.20 A
RL-2230-10-1200	12	10V C.T. @ 1.20 A	5V @ 2.40 A
RL-2230-10-2400	24	10V C.T. @ 2.40 A	5V @ 4.80 A
RL-2230-10-4800	48	10V C.T. @ 4.80 A	5V @ 9.60 A
RL-2230-12-200	2	12.6V C.T. @ 200 mA	6.3V @ 400 mA
RL-2230-12-450	6	12.6V C.T. @ 450 mA	6.3V @ 900 mA
RL-2230-12-900	12	12.6V C.T. @ 900 mA	6.3V @ 1.80 A
RL-2230-12-1900	24	12.6V C.T. @ 1.90 A	6.3V @ 2.80 A
RL-2230-12-3800	48	12.6V C.T. @ 3.80 A	6.3V @ 7.60 A
RL-2230-16-150	2	16V C.T. @ 150 mA	8V @ 300 mA
RL-2230-16-350	6	16V C.T. @ 350 mA	8V @ 700 mA
RL-2230-16-700	12	16V C.T. @ 700 mA	8V @ 1.40 A
RL-2230-16-1500	24	16V C.T. @ 1.50 A	8V @ 3.00 A
RL-2230-16-3000	48	16V C.T. @ 3.00 A	8V @ 6.00 A
RL-2230-20-125	2	20V C.T. @ 125 mA	10V @ 250 mA
RL-2230-20-300	6	20V C.T. @ 300 mA	10V @ 600 mA
RL-2230-20-600	12	20V C.T. @ 600 mA	10V @ 1.20 A
RL-2230-20-1200	24	20V C.T. @ 1.20 A	10V @ 2.40 A
RL-2230-20-2400	48	20V C.T. @ 2.40 A	10V @ 4.80 A
RL-2230-24-100	2	24V C.T. @ 100 mA	12V @ 200 mA
RL-2230-24-250	6	24V C.T. @ 250 mA	12V @ 500 mA
RL-2230-24-500	12	24V C.T. @ 500 mA	12V @ 1.00 A
RL-2230-24-1000	24	24V C.T. @ 1.00 A	12V @ 2.00 A
RL-2230-24-2000	48	24V C.T. @ 2.00 mA	12V @ 4.00 A
RL-2230-30-85	2	30V C.T. @ 85 mA	15V @ 170 mA
RL-2230-30-200	6	30V C.T. @ 200 mA	15V @ 400 mA
RL-2230-30-400	12	30V C.T. @ 400 mA	15V @ 800 mA
RL-2230-30-800	24	30V C.T. @ 800 mA	15V @ 1.60 A
RL-2230-30-1600	48	30V C.T. @ 1.60 A	15V @ 3.20 A
RL-2230-34-75	2	34V C.T. @ 75 mA	17V @ 150 mA
RL-2230-34-170	6	34V C.T. @ 170 mA	17V @ 340 mA
RL-2230-34-340	12	34V C.T. @ 340 mA	17V @ 680 mA
RL-2230-34-700	24	34V C.T. @ 700 mA	17V @ 1.40 A
RL-2230-34-1400	48	34V C.T. @ 1.40 A	17V @ 2.80 A
RL-2230-40-60	2	40V C.T. @ 60 mA	20V @ 120 mA
RL-2230-40-150	6	40V C.T. @ 150 mA	20V @ 300 mA
RL-2230-40-300	12	40V C.T. @ 300 mA	20V @ 600 mA
RL-2230-40-600	24	40V C.T. @ 600 mA	20V @ 1.20 A
RL-2230-40-1200	48	40V C.T. @ 1.20 A	20V @ 2.40 A

RL-2230 TABLE CONTINUES ON FOLLOWING PAGE

NOTES:

1. ELECTRICAL SPECIFICATIONS MEASURED AT 25°C



RENCO ELECTRONICS INC.

595 International Place, Rockledge, FL 32955-4200 USA • www.rencousa.com • ISO 9001 Certified
Toll Free Engineering Hot Line: 800.645.5828 • P: 321.637.1000 • F: 321.637.1600



RL-2230

Renco Part #	VA (Size)	Series	Parallel
RL-2230-56-45	2	56V C.T. @ 45 mA	28V @ 90 mA
RL-2230-56-100	6	56V C.T. @ 100 mA	28V @ 200 mA
RL-2230-56-200	12	56V C.T. @ 200 mA	28V @ 400 mA
RL-2230-56-425	24	56V C.T. @ 425 mA	28V @ 850 mA
RL-2230-56-850	48	56V C.T. @ 850 mA	28V @ 1.70 A
RL-2230-88-28	2	88V C.T. @ 28 mA	44V @ 56 mA
RL-2230-88-65	6	88V C.T. @ 65 mA	44V @ 130 mA
RL-2230-88-130	12	88V C.T. @ 130 mA	44V @ 260 mA
RL-2230-120-20	2	120V C.T. @ 20 mA	60V @ 40 mA
RL-2230-120-50	6	120V C.T. @ 50 mA	60V @ 100 mA
RL-2230-120-100	12	120V C.T. @ 100 mA	60V @ 200 mA
RL-2230-230-10	2	230V C.T. @ 10 mA	115V @ 20 mA
RL-2230-230-25	6	230V C.T. @ 25 mA	115V @ 50 mA
RL-2230-230-50	12	230V C.T. @ 50 mA	115V @ 100 mA

NOTES:

1. ELECTRICAL SPECIFICATIONS MEASURED AT 25°C

PART NUMBER	PART WEIGHT
RL-2230-2	141.7g (5.0oz)
RL-2230-6	198.4g (7.0oz)
RL-2230-12	311.8g (11.0oz)
RL-2230-24	425.2g (15.0oz)
RL-2230-48	595.3g (21.0oz)



RENCO ELECTRONICS INC.

595 International Place, Rockledge, FL 32955-4200 USA • www.rencousa.com • ISO 9001 Certified
Toll Free Engineering Hot Line: 800.645.5828 • P: 321.637.1000 • F: 321.637.1600

