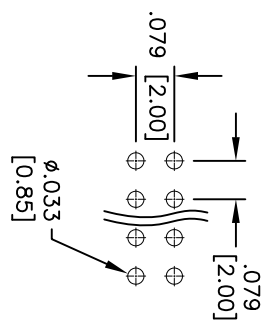
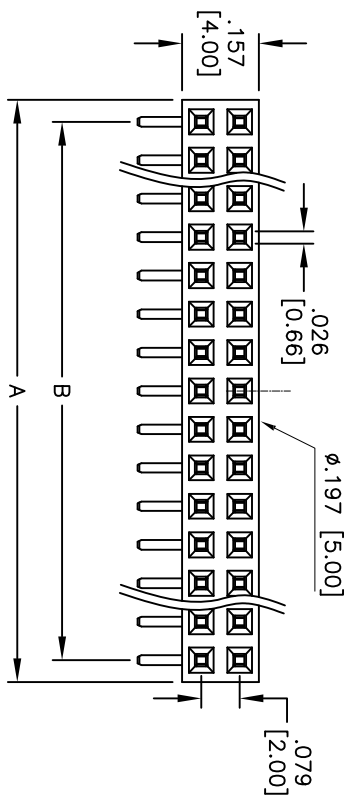
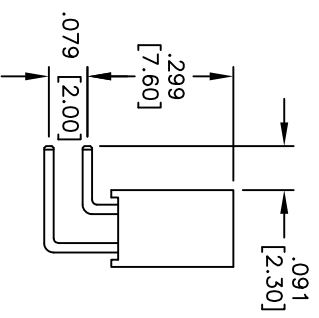
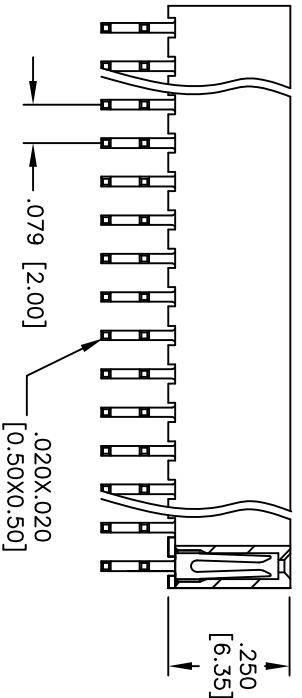


Rev	AWO #	Description	Date	Appr
-		RELEASED	12/6/10	

APPROVED: _____
 DATE: _____ TITLE: _____



Recommended PCB Layout



SPECIFICATIONS:

- Material: Insulator: LCP, rated UL 94V-0
- Insulator color: Black
- Contacts: Phosphor Bronze
- Plating: Gold flash over Nickel underplate overall
- Electrical:
 - Current rating: 2 Amp max.
 - Contact resistance: 20 mohms max. initial
 - Insulation resistance: 1,000 Mohms min.
 - Dielectric withstanding voltage: 500 VAC for 1 minute
- Temperature Rating: Operating temperature: -40°C to +105°C
- Environmental: Lead free, RoHS compliant
- Recommended soldering temp: 260°C for 5 seconds

Positions: 02 thru 80
 A = .079 [2.00] x No. of Positions per Row
 B = .079 [2.00] x No. of Spaces

ADAM TECH

909 Railway Avenue, Union, NJ 07083
 Phone: 908-687-5000 Fax: 908-687-5710

TITLE: .079 x .079 DUAL ROW RECEPTACLE STRIP
 .250 [6.35] HEIGHT, RIGHT ANGLE

UNLESS OTHERWISE SPECIFIED ALL DIMENSIONS ARE IN INCHES [MM]		TOLERANCES: EXCEPT AS NOTED	
INCHES	±.10	ØXX	±.010
.XX	±.020	ØXXX	±.015
.XXX	±.015	ØXXXX	±.010
APPROVALS		DATE	
DRAWN	AY	12/6/10	
CHECKED	AH	12/6/10	
APPROVED			
SIZE	PART NO.	REV.	
X	2RS2HR-XX-G	-	
REF: S0032T	SCALE: NTS	SHEET 1 OF 1	

