

# PULSEJACK™ 2XN RJ45 Connector

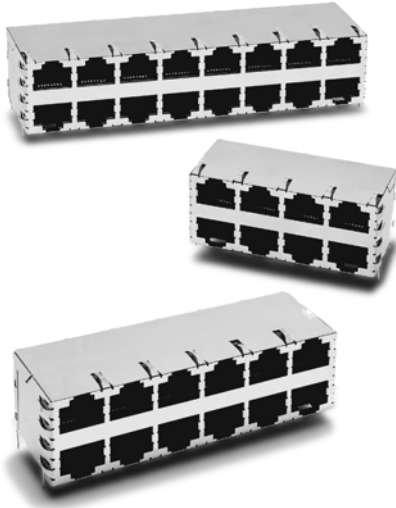


[www.pulseeng.com](http://www.pulseeng.com)

## Description:

10/100 Base-TX RJ45 2XN Tab-UP with or without LEDs (J2 series) integrated magnetics connector (ICM), designed to support applications, such as Hub and Switches and Power over Ethernet enabled switch/hub systems.

## Features and Benefits:



- Ⓢ RoHS-5 peak wave solder temperature rating 235°C
- Ⓢ RoHS-6 peak wave solder temperature rating 260°C
- Ⓢ 2XN RJ45 with internal magnetics
- Ⓢ Available with or without LEDs
- Ⓢ **Power over Ethernet (PoE) Enabled. Compatible to IEEE 802.3af standard**
- Ⓢ Suitable for CAT 5 & 6 Fast Ethernet Cable or better UTP
- Ⓢ Internal magnetics are 100% electrically tested for HI-POT and functionality

## Electrical Performance Summary:

- Ⓢ Internal magnetics options available
- Ⓢ **Meets or exceeds IEEE 802.3i/u/af standard**
- Ⓢ 350µH minimum OCL with 8mA bias current
- Ⓢ High performance for maximum EMI suppression
- Ⓢ **Minimum 1500 Vrms isolation per IEEE 802.3i/u/af requirement**

## Electrical Specifications @ 25°C — Operating Temperature 0°C to +70°C

RoHS-5 <sup>1,6</sup> Compliant Part No.	RoHS-6 <sup>7</sup> Compliant Part No.	No. of Ports	Turns <sup>2</sup> Ratios		LEDs <sup>3</sup> L/R	PoE <sup>4</sup> Enabled	Insertion Loss (dB TYP)		Return Loss (dB TYP) 100Ω ±15Ω			Crosstalk (dB TYP)			Common Mode Rejection (dB TYP)	
			TX	RX			1-65 MHz	1-10 MHz	10-30 MHz	30-60 MHz	60-80 MHz	1-30 MHz	30-60 MHz	60-100 MHz	1-50 MHz	50-150 MHz
J2039H3 (A,B,C)	-	8,12,16	1CT:1CT	1CT:1CT	None	No	-1	-20	-16	-12	-12	-40	-35	-30	-30	-20
J2042H3 (A,B,C)	-	8,12,16	1CT:1CT	1CT:1CT	None	No	-1	-20	-16	-12	-12	-40	-35	-30	-30	-20
J2045H3 (A,B,C)	-	8,12,16	1CT:1CT	1CT:1CT	None	No	-1	-20	-16	-12	-12	-40	-35	-30	-30	-20
J20-0013	J20-0013NL	4	1CT:1CT	1CT:1CT	G/Y, G/Y	No	-1	-20	-16	-12	-12	-40	-35	-30	-30	-20
J20-0014	J20-0014NL	8	1CT:1CT	1CT:1CT	G/Y, G/Y	No	-1	-20	-16	-12	-12	-40	-35	-30	-30	-20
J20-0015	-	12	1CT:1CT	1CT:1CT	G/Y, G/Y	No	-1	-20	-16	-12	-12	-40	-35	-30	-30	-20
J20-0016	-	16	1CT:1CT	1CT:1CT	G/Y, G/Y	No	-1	-20	-16	-12	-12	-40	-35	-30	-30	-20
J20-0017 <sup>5</sup>	-	8	1CT:1CT	1CT:1CT	None	Yes	-1	-20	-16	-12	-12	-40	-35	-30	-30	-20
J20-0019 <sup>5</sup>	-	12	1CT:1CT	1CT:1CT	None	Yes	-1	-20	-16	-12	-12	-40	-35	-30	-30	-20

- Notes: 1. Part numbers code (A,B,C, D): A = 2x4, B = 2x6, C = 2x8, D = 2x2  
 2. Both transmit and receive channels meet IEEE 802.3 specifications.  
 3. Bi-color LEDs: G = green; Y = yellow for each port  
 4. PoE = Power over Ethernet Compatible product, compliant to IEEE 802.3af standard, providing minimum 1.5Kv isolation  
 5. Contact Pulse for PoE enabled product with LEDs.  
 6. **RoHS-5** - Product does not contain 5 out of the 6 banned substances specified in the RoHS directive. Product contains lead in applications considered as solders.  
 7. **RoHS-6** - Product does not contain 5 out of the 6 banned substances specified in the RoHS directive. Some internal connections may contain lead in high temperature solder (solder alloys containing more than 85% lead).

## RJ45 Durability Testing Rating

Part Number	Mating Force (MAX)	Unmating Force (MAX)	Durability	Plug to Jack Retention (MIN)
J2 Series	5lbs./2.268kgs.	5lbs./2.268kgs.	750 Insertions	20lbs./9.072kgs.

## RJ45 Material Specification

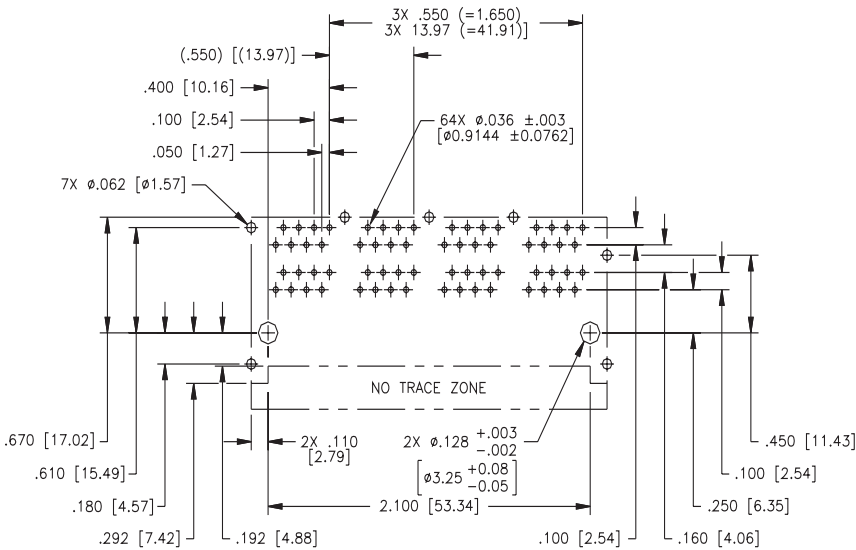
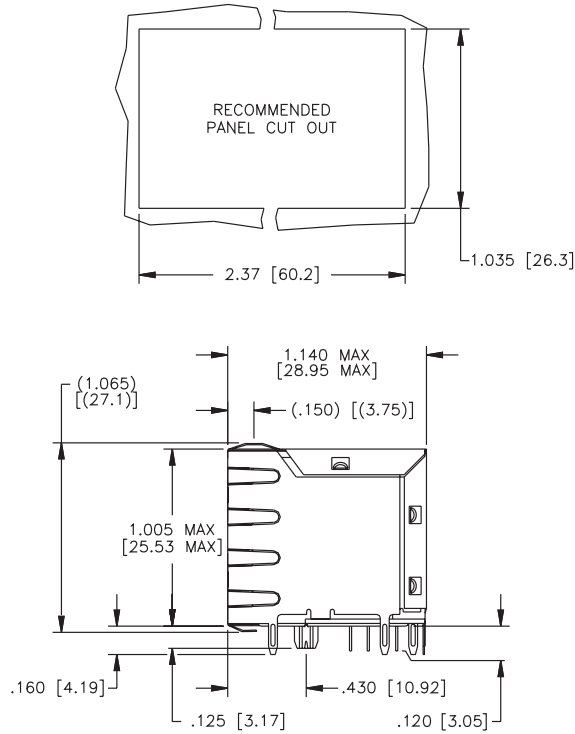
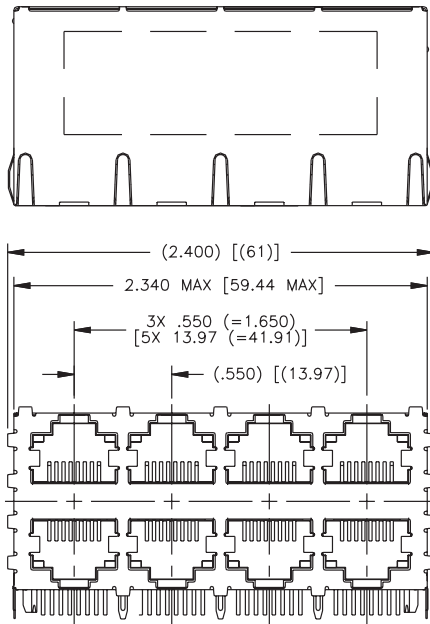
Part Number	Shield		Contact		Housing	
	Material	Finish	Material	Plating Area	Solder Area	Material / Specification
J2 Series	Brass	10-20m inches Nickel over 10-20m inches Brass	Phosphor Bronze	Nickel underplating and selective gold plating 30µ inches	120µ inches Sn90/Pb10 over 50µ inches nickel	Thermoplastic / UL 94 V-0

Notes: 1. All connector part numbers starting with the series prefix J2 comply to the above limits. 2. Connector dimensions comply with FCC dimension requirements.

USA 858 674 8100 • UK 44 1483 401 700 • France 33 3 84 35 04 04 • Singapore 65 6287 8998 • Shanghai 86 21 54643211 / 2 • China 86 769 85538070 • Taiwan 886 3 4641811

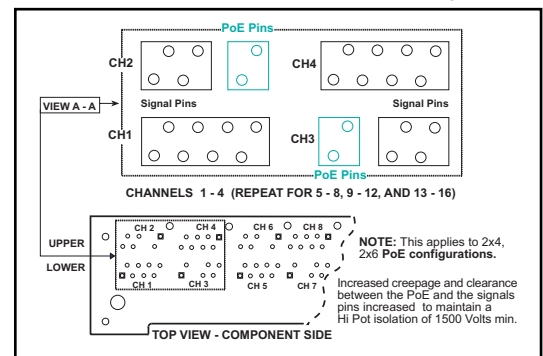
### J2 Series (No LEDs) Mechanicals (available PoE Enabled)

2 X 4



SUGGESTED PC BOARD LAYOUT VIEWED FROM COMPONENT SIDE  
 UNLESS OTHERWISE SPECIFIED DIMENSIONAL TOLERANCE IS  $\pm$ .002

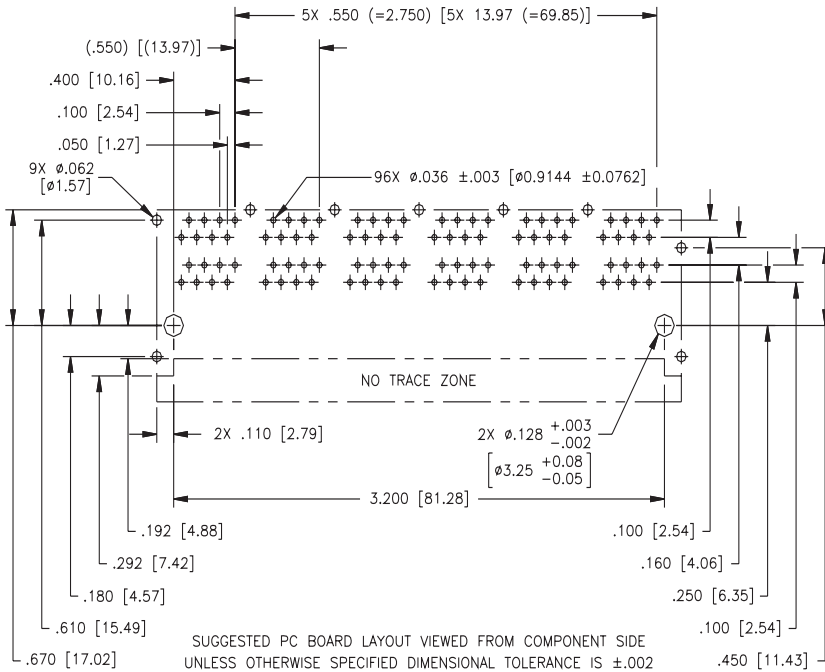
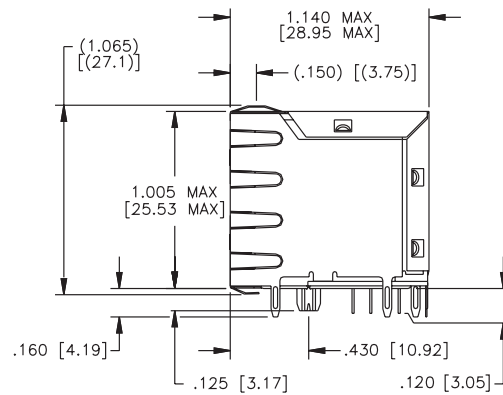
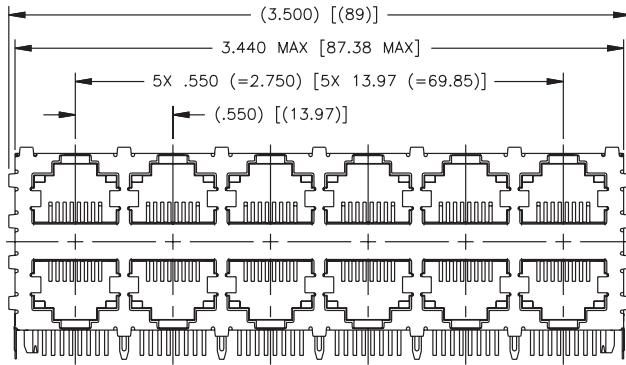
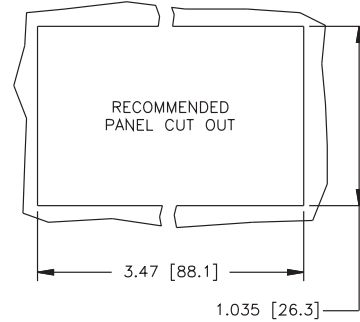
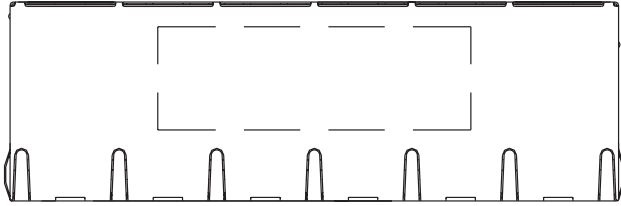
### PoE Enabled Connector Pin Out Assignment



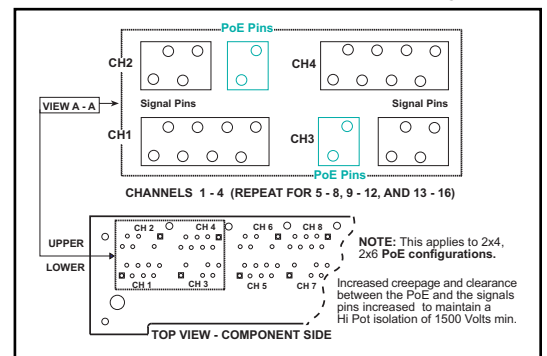
Dimensions:  $\frac{\text{Inches}}{\text{mm}}$   
 Unless otherwise specified,  
 all tolerances are  $\pm$   $\frac{.010}{0,25}$

### J2 Series (No LEDs) Mechanicals (available PoE Enabled)

**2 X 6**



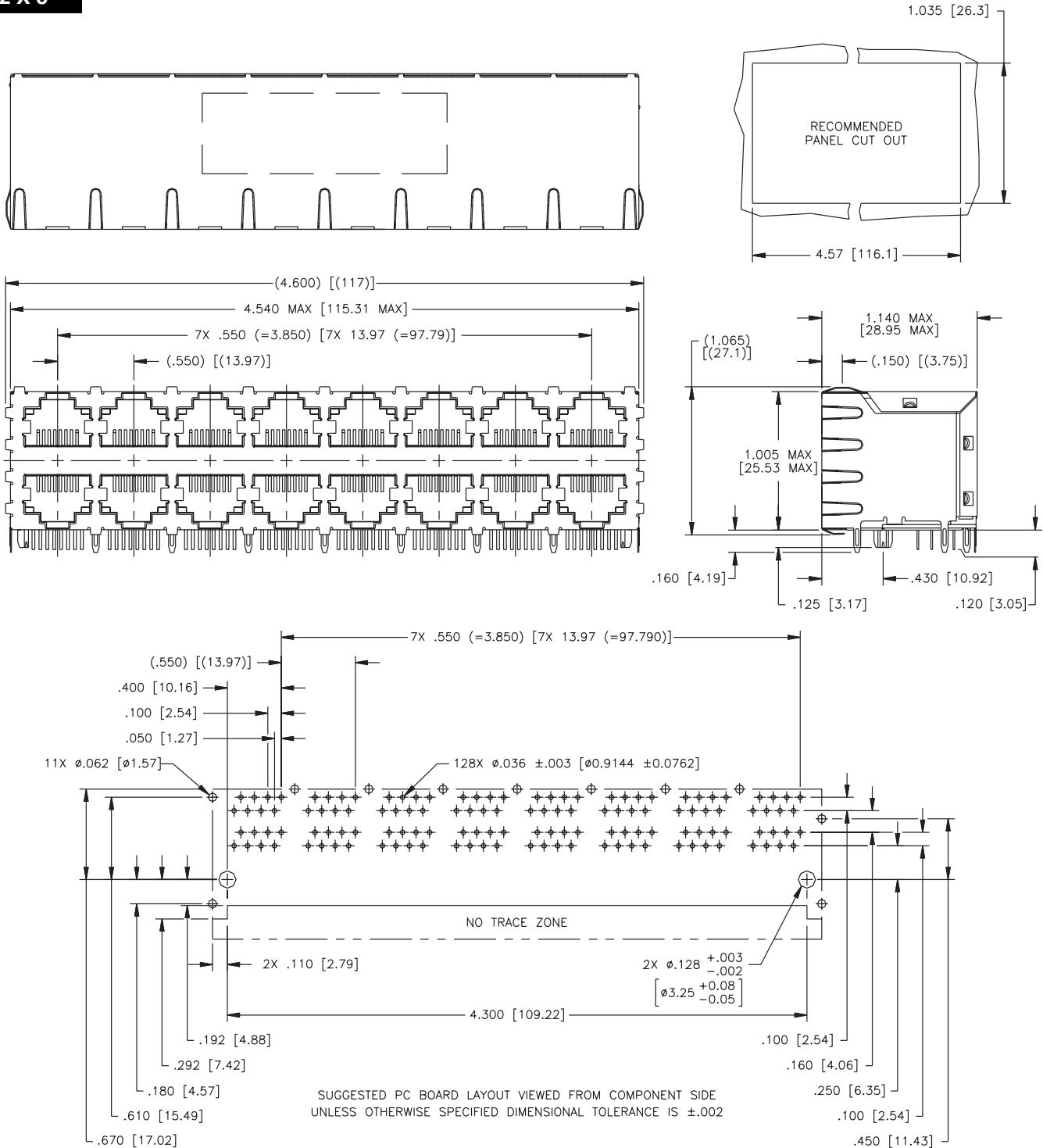
### PoE Enabled Connector Pin Out Assignment



Dimensions: Inches  
 mm  
 Unless otherwise specified,  
 all tolerances are ± .010  
 0,25

### J2 Series (No LEDs) Mechanicals (not PoE Enabled)

2 X 8

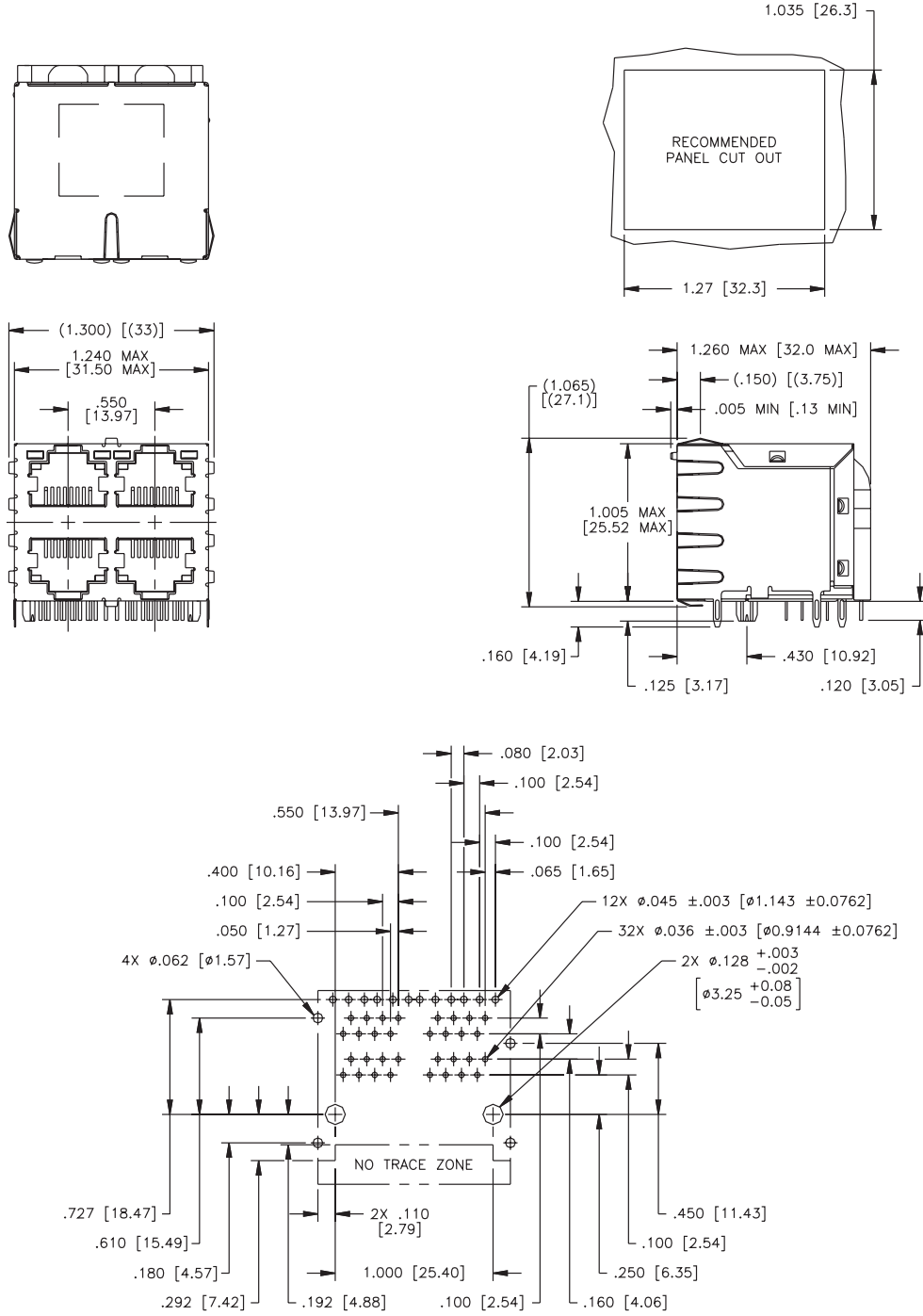


Dimensions:  $\frac{\text{Inches}}{\text{mm}}$

Unless otherwise specified, all tolerances are  $\pm \frac{.010}{0,25}$

### J2 Series (With LEDs) Mechanicals (not PoE Enabled)

**2 X 2**



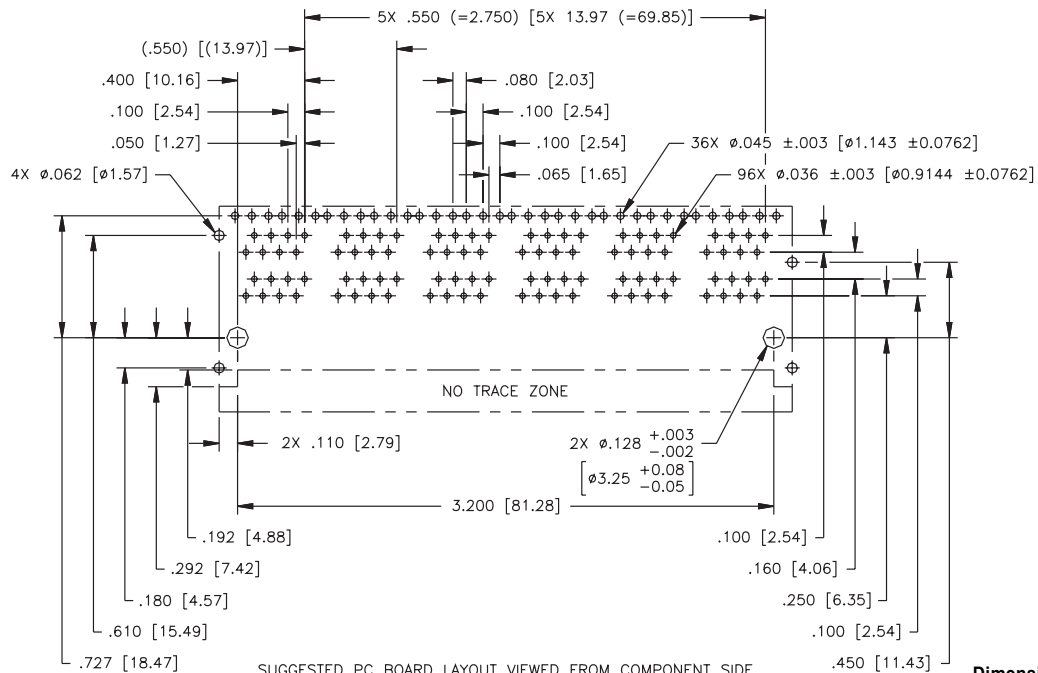
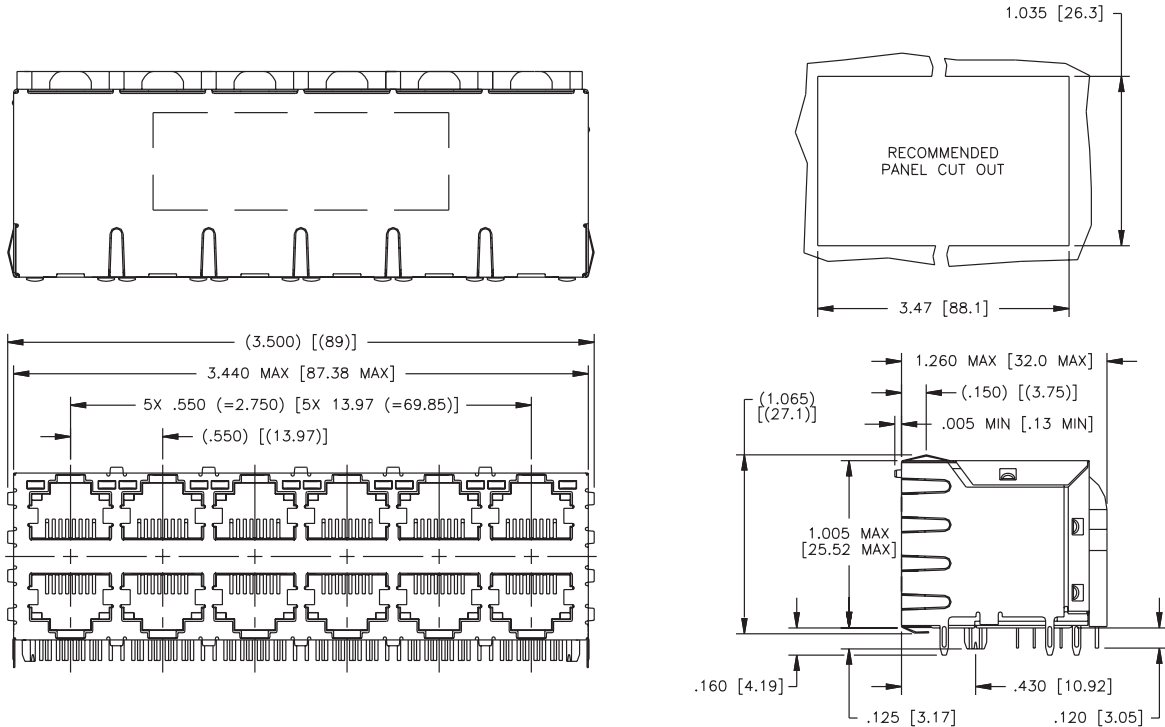
SUGGESTED PC BOARD LAYOUT VIEWED FROM COMPONENT SIDE  
UNLESS OTHERWISE SPECIFIED DIMENSIONAL TOLERANCE IS  $\pm 0.02$

**Dimensions:** Inches  
mm  
Unless otherwise specified,  
all tolerances are  $\pm \frac{.010}{0,25}$



### J2 Series (With LEDs) Mechanicals (not PoE Enabled)

2 X 6



SUGGESTED PC BOARD LAYOUT VIEWED FROM COMPONENT SIDE  
UNLESS OTHERWISE SPECIFIED DIMENSIONAL TOLERANCE IS ±.002

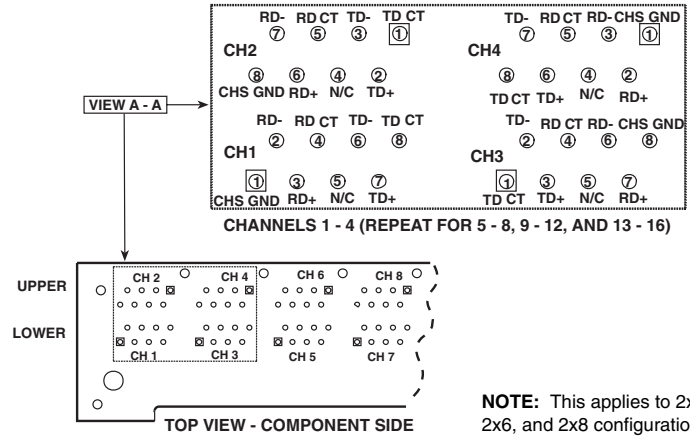
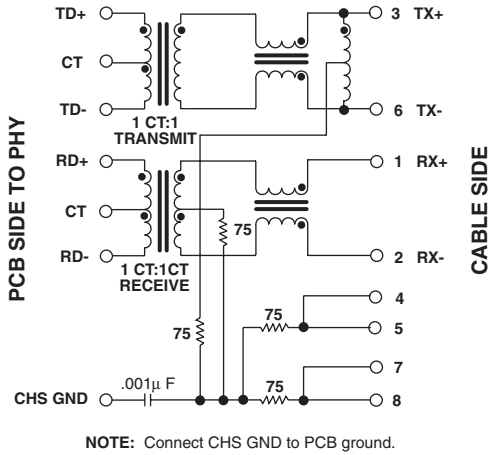
**Dimensions:**  $\frac{\text{Inches}}{\text{mm}}$   
Unless otherwise specified,  
all tolerances are  $\pm \frac{.010}{0,25}$



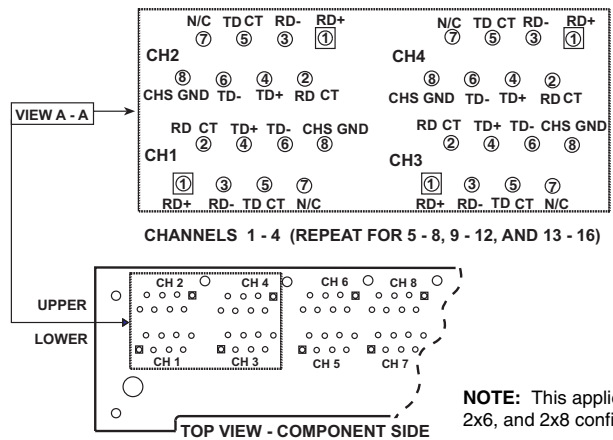
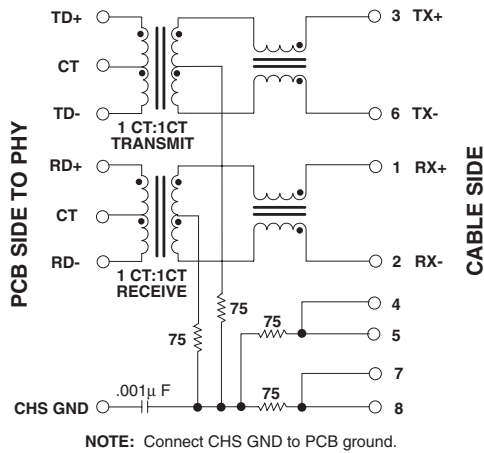


### J2 Series (No LEDs) Schematics (not PoE Enabled)

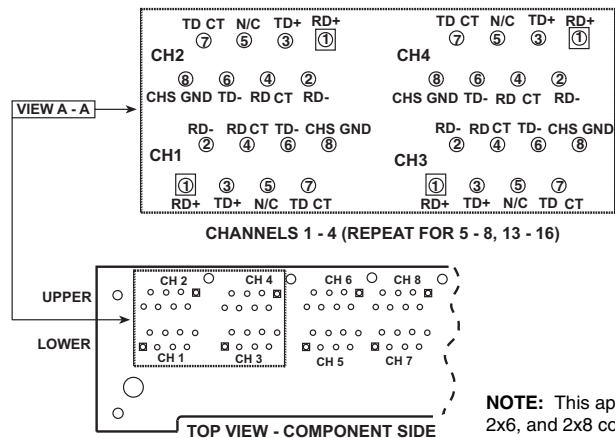
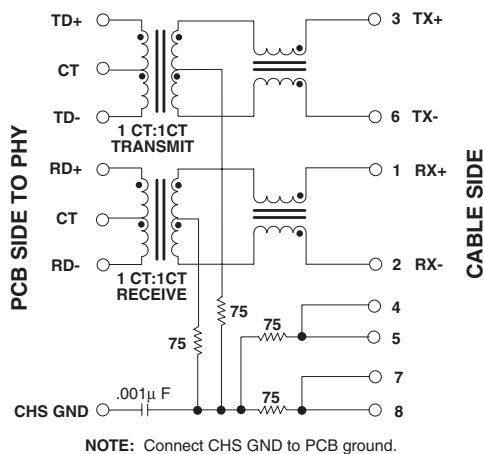
#### J2039



#### J2042



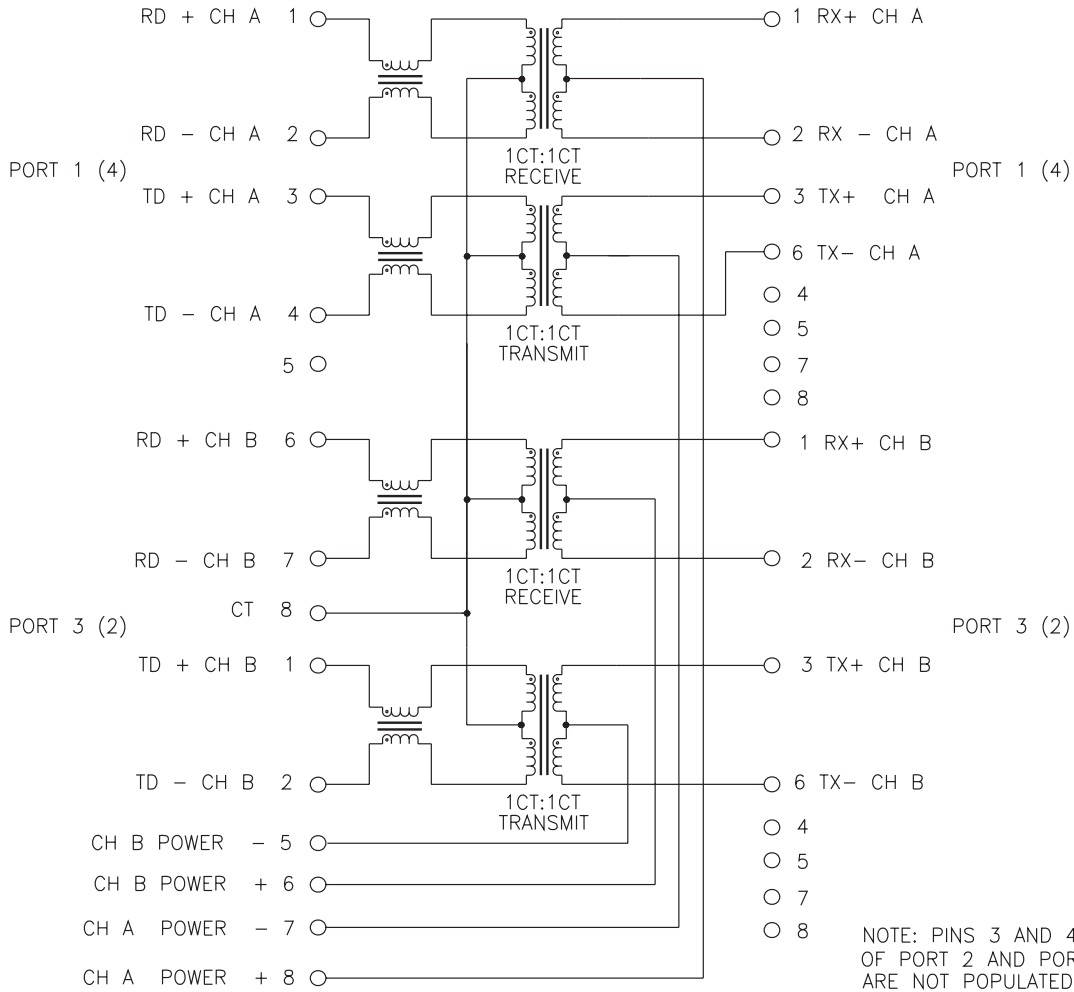
#### J2045



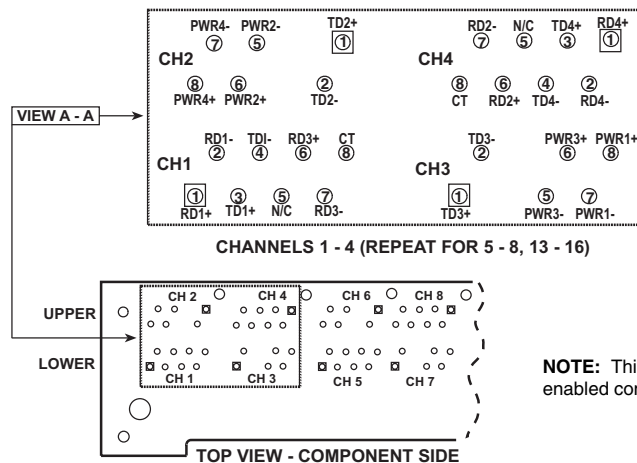
### J2 Series (No LEDs/PoE Enabled) Schematics

J20-0017/19

PCB SIDE

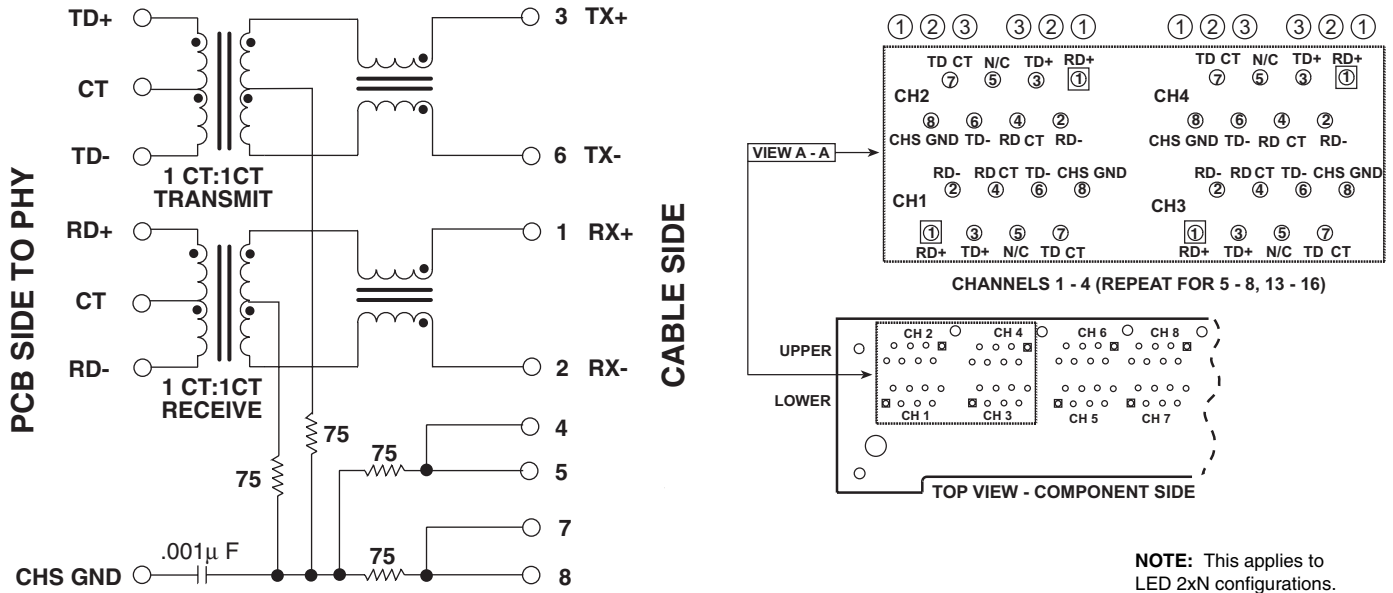


CABLE SIDE

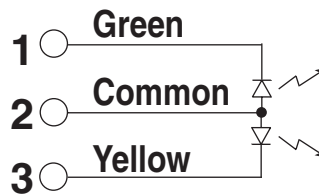


### J2 Series (With LEDs) Schematics (not PoE Enabled)

J20-0013/14/15/16



### LED Configuration



Standard LED Color	LED Wavelength <sup>1</sup>	Forward <sup>2</sup> (V MAX)	Typical (V TYP)
Green	560 - 570 nm	2.5	2.1 - 2.2
Yellow	588 - 610 nm	2.5	2.1 - 2.2

1. LED intensity/wavelength measured with Photo Research PR-650 Colormeter  
 2. With a forward current of 20 mA

### For More Information:

Pulse Worldwide Headquarters	Pulse Northern Europe	Pulse Southern Europe	Pulse China Headquarters	Pulse North China	Pulse South Asia	Pulse North Asia
12220 World Trade Drive San Diego, CA 92128 U.S.A. <a href="http://www.pulseeng.com">www.pulseeng.com</a> TEL: 858 674 8100 FAX: 858 674 8262	3 Huxley Road Surrey Research Park Guildford, Surrey GU2 5RE United Kingdom TEL: 44 1483 401700 FAX: 44 1483 401701	Zone Industrielle F-39270 Orgelet France TEL: 33 3 84 35 04 04 FAX: 33 3 84 25 46 41	No. 1 Industrial District Changan, Dongguan China TEL: 86 769 85538070 FAX: 86 769 85538870	Room 1503 XinYin Building No. 888 YiShan Road Shanghai 200233 China TEL: 86 21 54643211/2 FAX: 86 21 54643210	150 Kampong Ampat #07-01/02 KA Centre Singapore 368324 TEL: 65 6287 8998 FAX: 65 6280 0080	No. 26 Kao Ching Road Yang Mei Chen Taoyuan Hsien Taiwan, R. O. C. TEL: 886 3 4641811 FAX: 886 3 4641911

Performance warranty of products offered on this data sheet is limited to the parameters specified. Data is subject to change without notice. Other brand and product names mentioned herein may be trademarks or registered trademarks of their respective owners.

© Copyright, 2006. Pulse Engineering, Inc. All rights reserved.