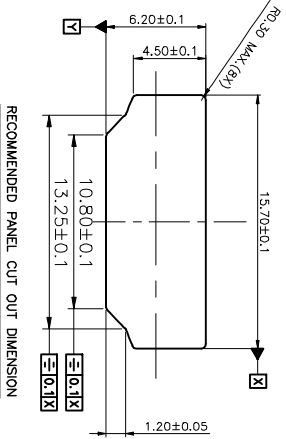
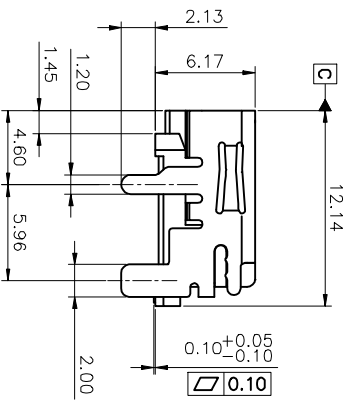
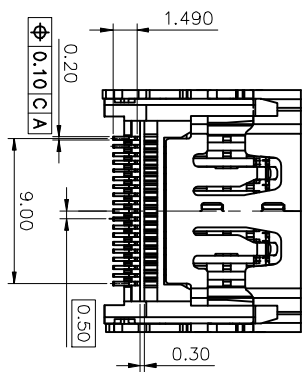
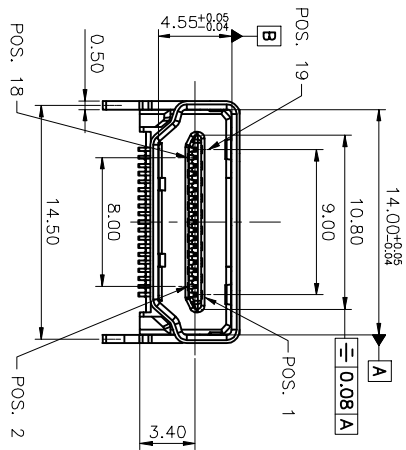
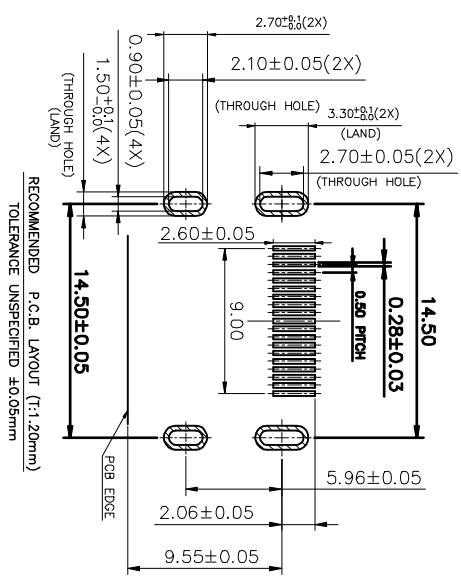


3D VIEW



RECOMMENDED PANEL CUT OUT DIMENSION



RECOMMENDED P.C.B. LAYOUT (1:1.20mm)
TOLERANCE UNSPECIFIED ±0.05mm

- NOTES:
- 1.ELECTRONIC:
CONTACT RESISTANCE: 20mohm MAX
INSULATION RESISTANCE: 1000 Mohm MIN
WITHSTAND VOLTAGE:AC 500V,1min.
 - 2.MECHANICAL:
DURABILITY: 10000 CYCLE.
 - 3.ENVIRONMENT CHARACTERISTICS:
OPERATING TEMPERATURE:-55°C TO +105°C
 - 4.MATERIAL LIST:

No.	PART NAME	QTY	MATERIAL	REMARK
3	SHELL	1	COPPER ALLOY T=0.50	NI PLATED
2	CONTACT	19	COPPER ALLOY T=0.20	AU PLATED
1	HOUSING	1	THERMOPLASTIC(C/P)	(UL 94V-0) BLACK

TOLERANCE TABLE

TOLERANCE	APPROVED	CHECKED	DATE:
.0	±0.30		
.00	±0.20		
.000	±0.05		

APPROVED:	DATE:	TITLE:
Leven	2021-07-28	HDM1-19P 母头 A型 铜壳镀镍 端子镀金 (无铅)
DRAWN:	DATE:	PART. NO. C2902898
		UNIT mm SCALE free
		FILE NO. D-HDM119P-R000 REV. A BHTO

深圳市灿科盟实业有限公司
CHANKLEMENT INDUSTRYCO., LTD