

IDC

- Industry compatible
- Competitively priced
- Various Plating contacts available
- 1.27 mm pitch
- Long or Short Latch
- 2.54mm row spacing

SHROUDED LATCHED HEADER STRAIGHT 1.27mm



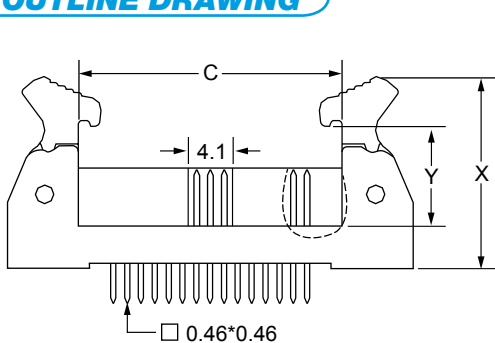
SPECIFICATION

Material & Finish

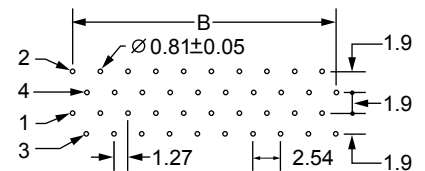
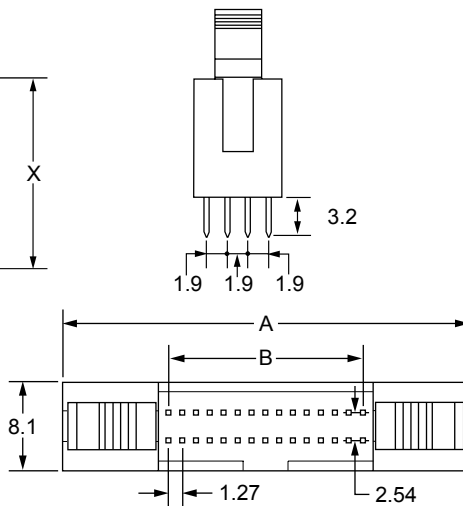
Contact Material:	Phosphor Bronze
Insulator Material:	PBT, Glass Reinforced, rated UL-94V-0
Current Rating:	1 Amp
Contact Resistance:	30M Ω Max.
Insulator Resistance:	1000M Ω Min.
Dielectric Withstanding Voltage:	250V AC for One Minute
Operating Temperature:	-40°C to + 105°C

Position	A	B	C
10	24.50	5.08	11.46
20	30.85	11.43	17.81
26	34.66	15.24	21.62
30	37.20	17.78	24.16
34	39.74	20.32	26.70
40	43.55	24.13	30.51
50	49.90	30.48	36.86
60	56.25	36.83	43.21
68	61.33	41.91	48.29
70	62.60	43.18	49.56
80	68.95	49.53	55.91
90	75.30	55.88	62.26
100	81.65	62.23	68.61

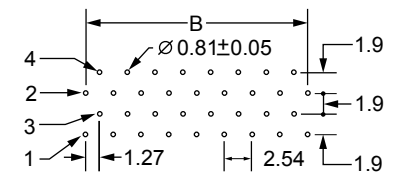
OUTLINE DRAWING



ACCESSORIES	X	Y
Long Latch	19.0	10.65
Short Latch	17.5	8.0



P.C. BOARD LAYOUT FOR 20,40,60,68,80,100



P.C. BOARD LAYOUT FOR 10,26,30,34,50,70,90

ORDERING INFORMATION

DBC	IDC	C7B	30	B	G	A	1
Dubilier Connectors	IDC Connector	Series	N° of Ways	Contact Material	Contact Plating	Features	Colour
			10=10way 20=20way 26=26way 30=30way 34=34way 40=40way 50=50way	B=Phosphor Bronze	G= Gold Flash S=Selective *=Other Plating available	A=Long Latch b=Short Latch	1=Black
			60=60way 68=68way 70=70way 80=80way 90=90way 100=100way				