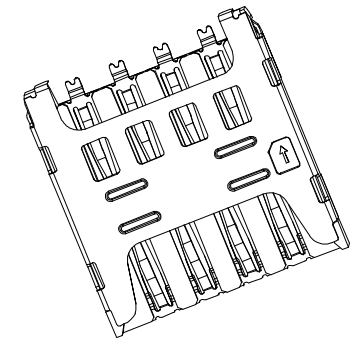
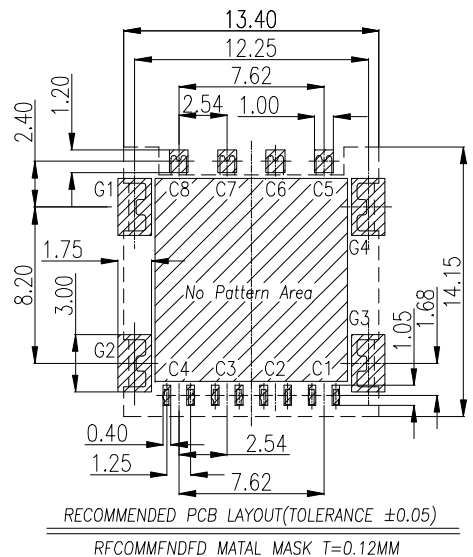
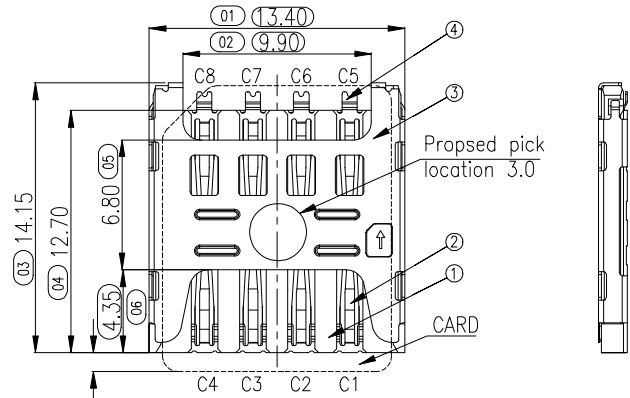




REV.	ECN NO OR DESCRIPTION	REVISED	DATE

A

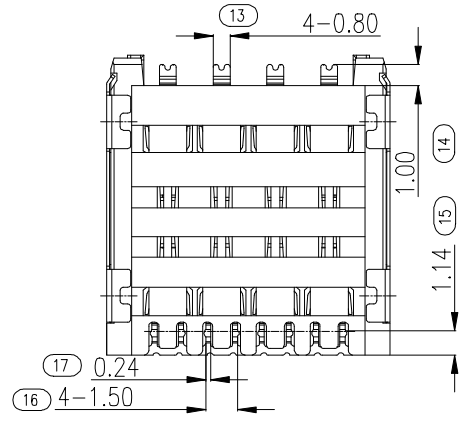
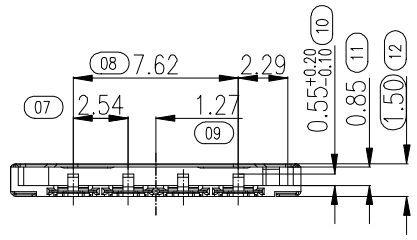
A



- NOTES:
- MATERIAL:SEE TABLE
  - SPECIALITY:
    - Rated current:1.0A
    - Rated voltage:30V
    - Contact Resistance:50mΩ MAX
    - Insulation Resistance:1000MΩ MIN 500V DC
    - Dielectric withstanding voltage: 500V DC.
    - Solder ability:250±5℃ 10±0.5s.
    - Durability:3000 Cycles Min.Contact Resistance50mΩMax
    - Mating and Unmating force  
Insertion Force 10N Max  
Withdrawal Fore 10N Max
    - Operating condition:Temperature-40℃~+85℃;  
Humidity 80% R.H MAX

B

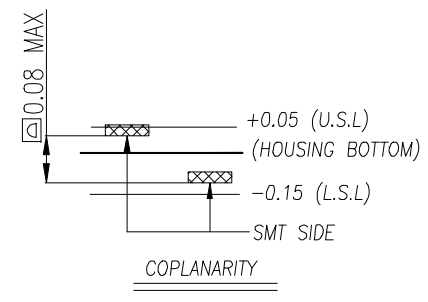
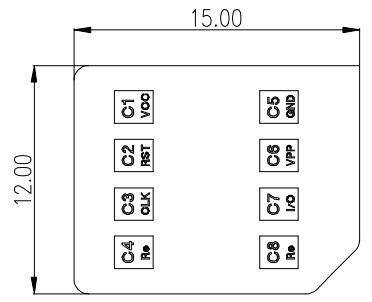
B



PIN No.	DESCRIPTION
C1	VCC (SUPPLY VOLTAGE)
C2	RST (RESET SIGNAL)
C3	CLK (CLOCK SIGNAL)
C4	RESERVED
C5	GND
C6	VPP (VARIABLE SUPPLY VLOTAGE)
C7	I/O (DATA INPUT/OUTPUT)
C8	RESERVED
G1~G4	GND

C

C



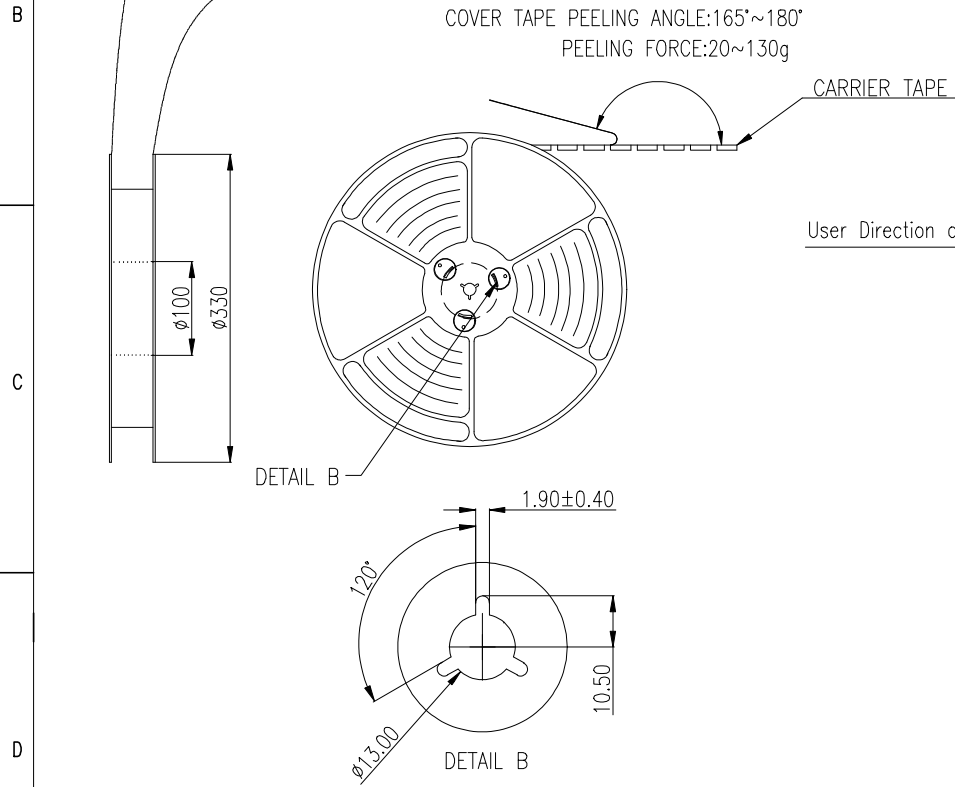
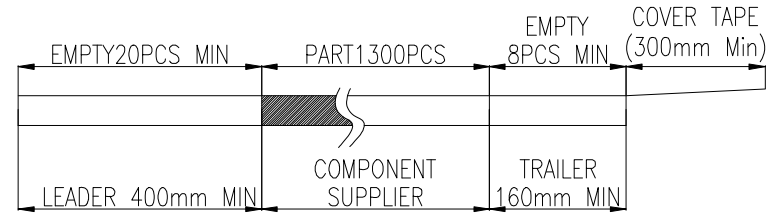
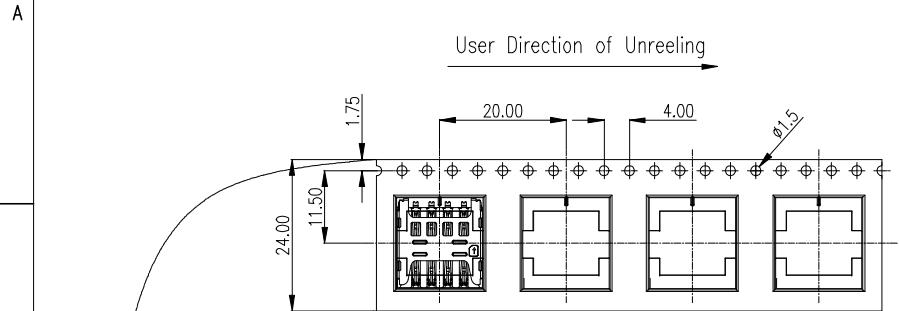
D

D

UNLESS OTHERWISE SPECIFIED TOLERANCES		东莞市汉博电子科技有限公司 DONGGUAN HANBO TECHNOLOGY CO., LTD			
DECIMALS:	ANGLES:	TITLE MICRO SIM CONNECTOR 1.5H			
X ±0.38	X ±2°	DWN	xiong	PART NO. SMO-1535	
X.X ±0.25	X.X ±1°	CHKD	lee	SCALE:1:1	UNIT: mm
X.XX ±0.10		APVD	wang	SIZE: A4	SHEET:10F 1
		REV: A4			
CUSTOMER COPY					



REV.	ECN NO OR DESCRIPTION	REVISED	DATE

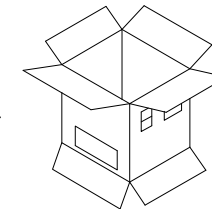
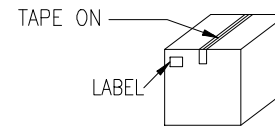
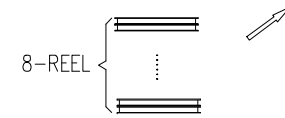


NOTES

1. NUMBER OF CONNECTORS: 1300PCS/REEL
2. LEAD TAPE LENGTH
3. QUANTITY: 10400PCS/CARTON
4. WEIGHT :
  - 3.1 NET WEIGHT : 3.33Kg
  - 3.2 GROSS WEIGHT : 6.55Kg

CARTON  
335\*335\*255 K=K

4-TRIANGLE PARTITION  
380\*235\*5 K3K



UNLESS OTHERWISE SPECIFIED TOLERANCES



东莞市汉博电子科技有限公司  
DONGGUAN HANBO TECHNOLOGY CO., LTD

DECIMALS: ANGLES:

TITLE	MICRO SIM CONNECTOR 1.5H			
DWN	xiong	PART NO. SMO-1535		
CHKD	lee	SCALE: 1:1	UNIT: mm	
APVD	wang	SIZE: A4	SHEET: 1 OF 1	REV: A4

CUSTOMER COPY