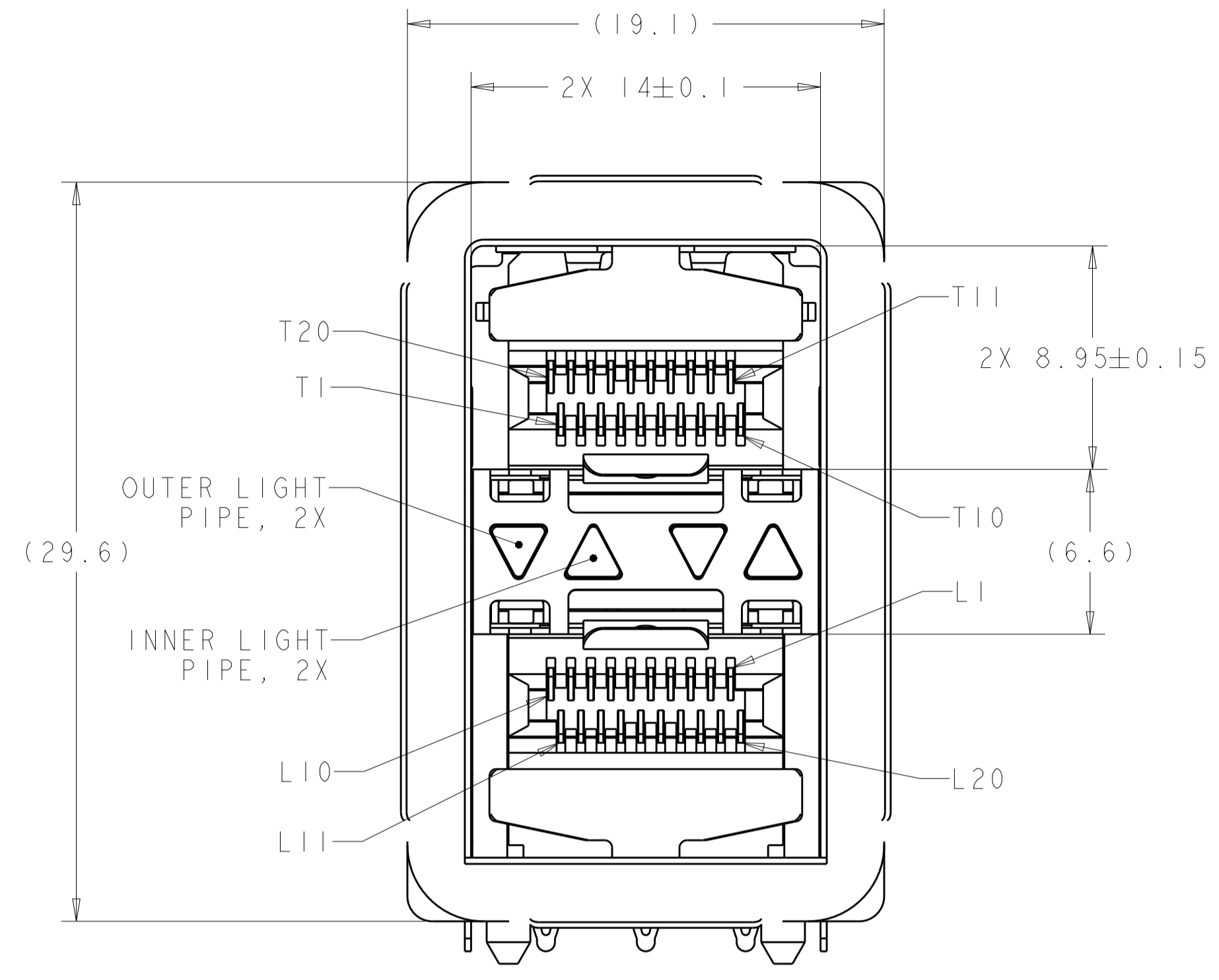
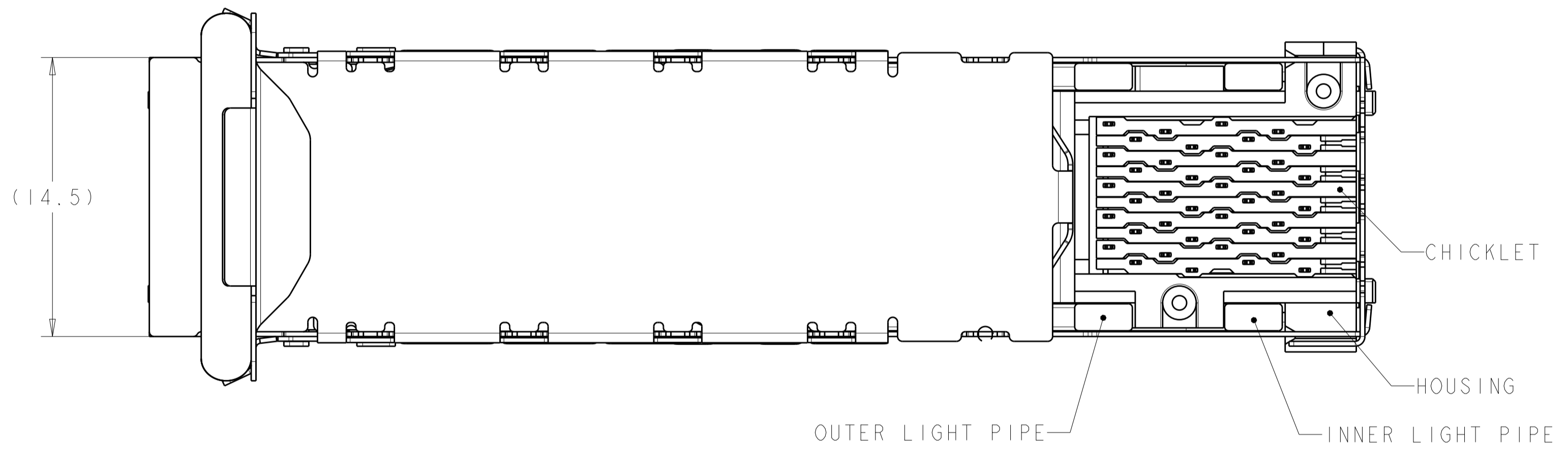
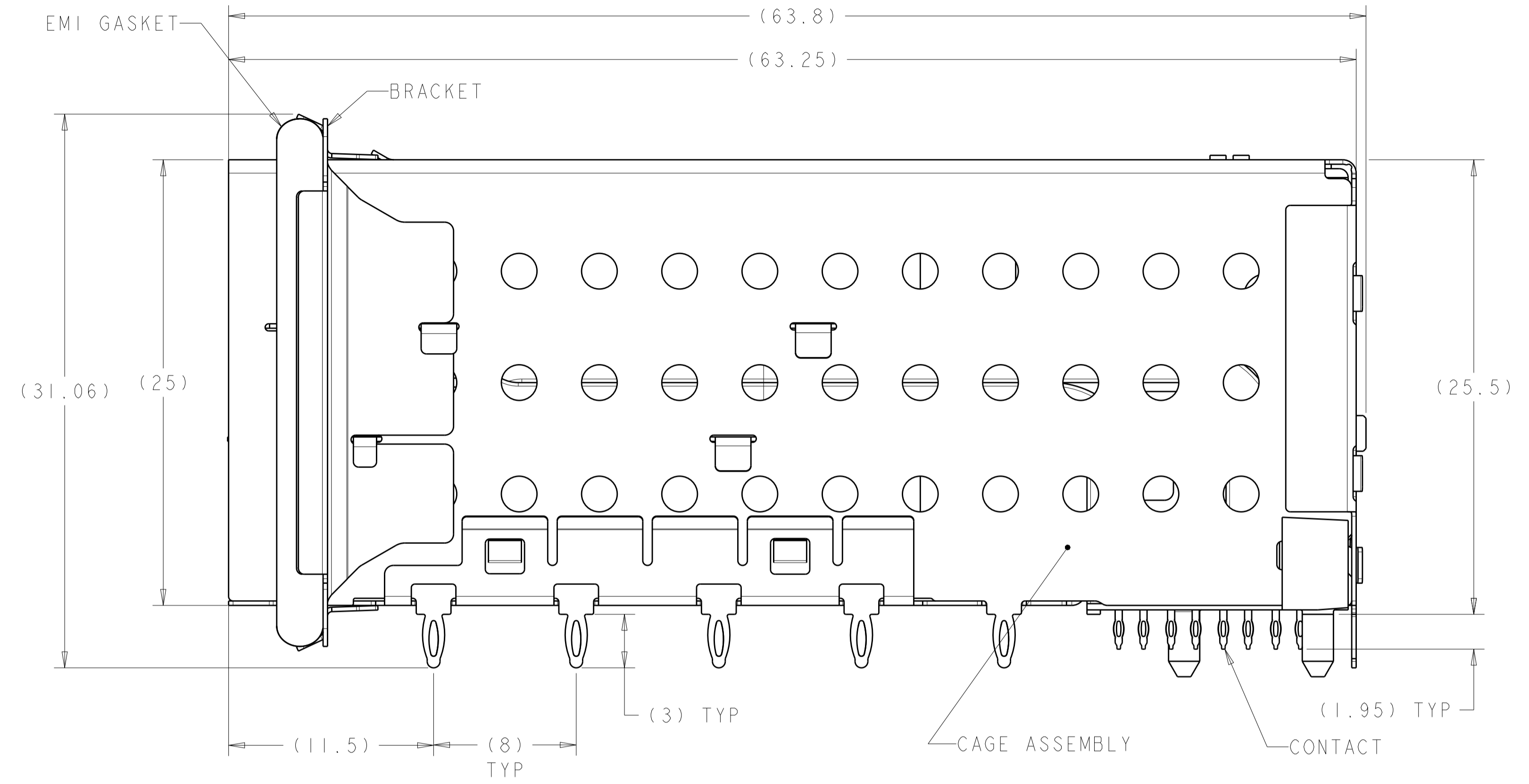


REVISIONS				
P.	LTN	DESCRIPTION	DATE	OWN APVD
D		REVISED PER ECO-15-017922	09APR2016	AP RP



2007538-5 AS SHOWN



- ⚠ MATERIALS:  
 CAGE ASSEMBLY- NICKEL SILVER ALLOY PER ASTM B 122.  
 BRACKET- STAINLESS STEEL.  
 EMI GASKET- PLATED FILLED SILICONE.  
 HOUSING- BLACK LCP, UL 94V-0 RATED.  
 CHICKLET- BLACK LCP, UL 94V-0 RATED.  
 LIGHT PIPE- POLYCARBONATE, CLEAR.  
 INSERT - (FOR LIGHT PIPE PART NUMBERS ONLY) - LCP, BLACK, UL 94V-0.  
 CONTACT- COPPER ALLOY.
- ⚠ DATUM AND BASIC DIMENSIONS ESTABLISHED BY CUSTOMER.
- 3. MINIMUM PCB THICKNESS OF 1.5.
- ⚠ CONTACT FINISH- CONFORMS TO THE REQUIREMENTS OF TYCO ELECTRONICS PRODUCT SPECIFICATION 108-2331, BASED ON EIA/ECA-364-1000.01A, (CONTROLLED ENVIRONMENT APPLICATIONS) ON MATING INTERFACE, TIN-LEAD ON NEEDLE EYE.
- ⚠ CONTACT FINISH- CONFORMS TO THE REQUIREMENTS OF TYCO ELECTRONICS PRODUCT SPECIFICATION 108-2331, BASED ON EIA/ECA-364-1000.01A, (CONTROLLED ENVIRONMENT APPLICATIONS) ON MATING INTERFACE, TIN ON NEEDLE EYE.
- ⚠ FOR HOLE SIZE AND PLATINGS, SEE APPLICATION SPEC 114-13219.
- ⚠ THE ENTIRE AREA OF THE CONNECTOR FOOTPRINT, INDICATED BY THE DASHED LINE, TO BE CONSIDERED THE KEEPOUT AREA FOR COMPONENTS AND SIGNAL TRACES, TOP SIDE ONLY. TOP SIDE TRACES ALLOWED WITHIN CONNECTOR HOLE PATTERN.
- ⚠ LIGHT PIPE PAD LAYOUT IS FOR 0805 LOW PROFILE LED PACKAGE WITH A HEIGHT OF 0.8mm.
- ⚠ ADDITIONAL COMPONENT LOCATED WITHIN LATCHPLATE FOR EMI SUPPRESSION.

YES <sup>9</sup>	NO	ENHANCED EMI FINISH	DESCRIPTION	PART NUMBER
			NO LIGHT PIPES	1-2007538-8
			OUTER 2 LIGHT PIPES	1-2007538-7
			INNER 2 LIGHT PIPES	1-2007538-6
			4 LIGHT PIPES	1-2007538-5
			NO LIGHT PIPES	2007538-8
			OUTER 2 LIGHT PIPES	2007538-7
			INNER 2 LIGHT PIPES	2007538-6
			4 LIGHT PIPES	2007538-5
			NO LIGHT PIPES	2007538-4
			OUTER 2 LIGHT PIPES	2007538-3
			INNER 2 LIGHT PIPES	2007538-2
			4 LIGHT PIPES	2007538-1

THIS DRAWING IS A CONTROLLED DOCUMENT. DWN: M. SHIRK 03JAN2007  
 CHK: D. SZCZESNY 03JAN2007  
 APVD: D. SZCZESNY 03JAN2007

**STE** TE Connectivity

NAME: CAGE AND PT CONNECTOR ASSEMBLY, WITH EMI GASKET, PRESS FIT, 2X1, STACKED SFP+

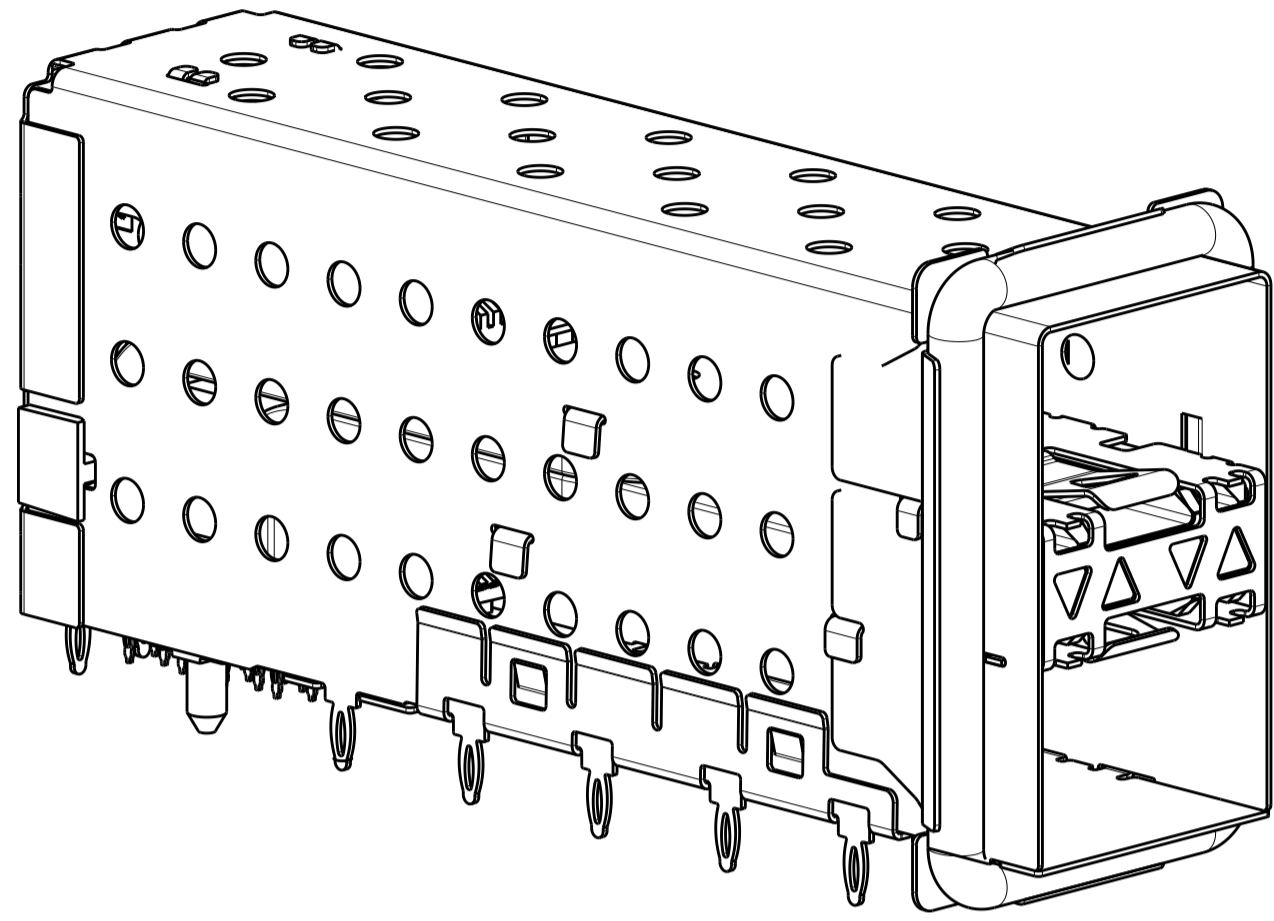
PRODUCT SPEC: 108-2331  
 APPLICATION SPEC: 114-13219

SIZE: CAGE CODE DRAWING NO: A100779  
 WEIGHT: -  
 CUSTOMER DRAWING

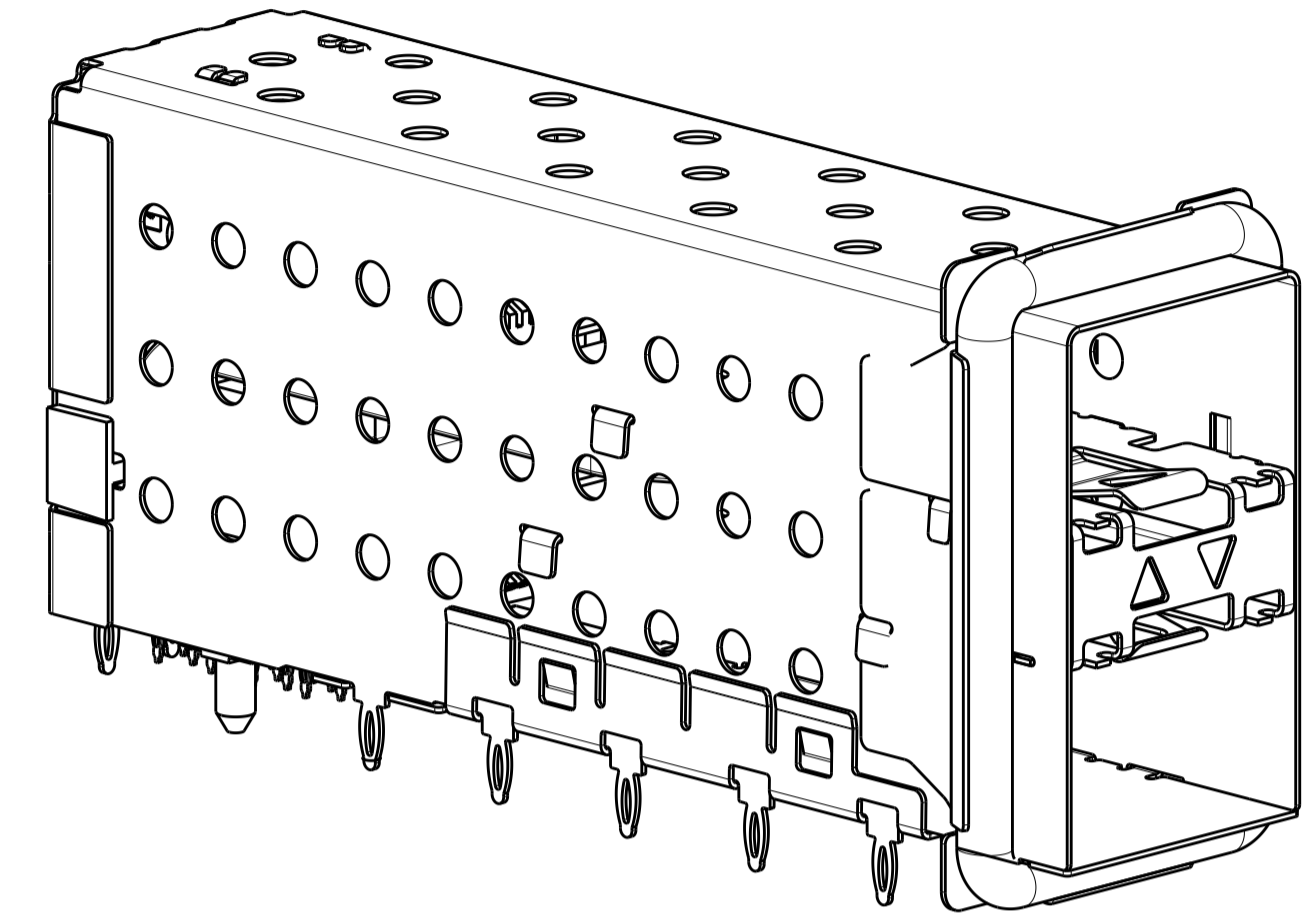
SCALE: 5:1 SHEET 1 OF 4 REV D

THIS DRAWING IS UNPUBLISHED. RELEASED FOR PUBLICATION 20  
COPYRIGHT 20 BY - ALL RIGHTS RESERVED.

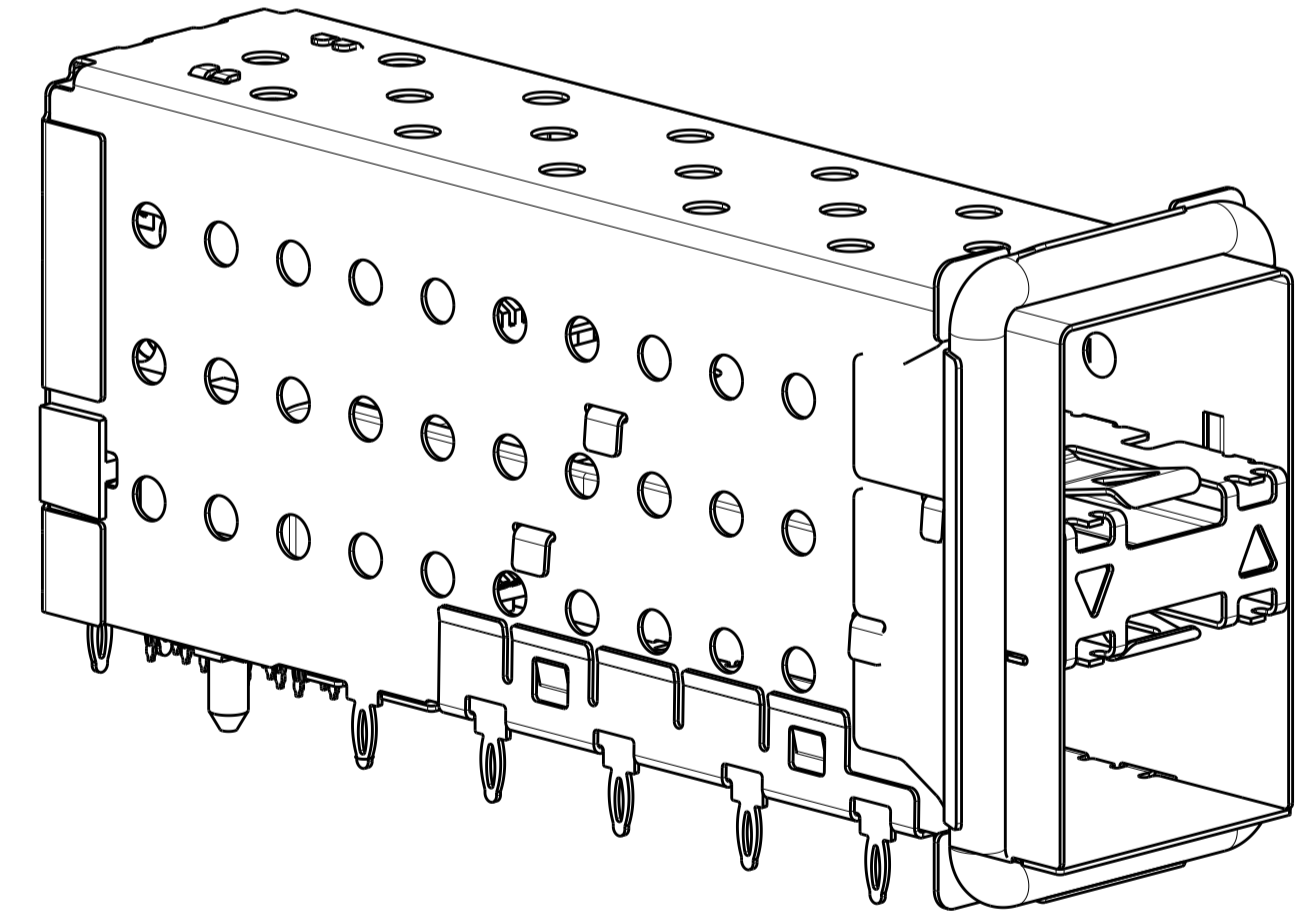
REVISIONS				
P.	LTN	DESCRIPTION	DATE	APVD
-		SEE SHEET 1	-	-



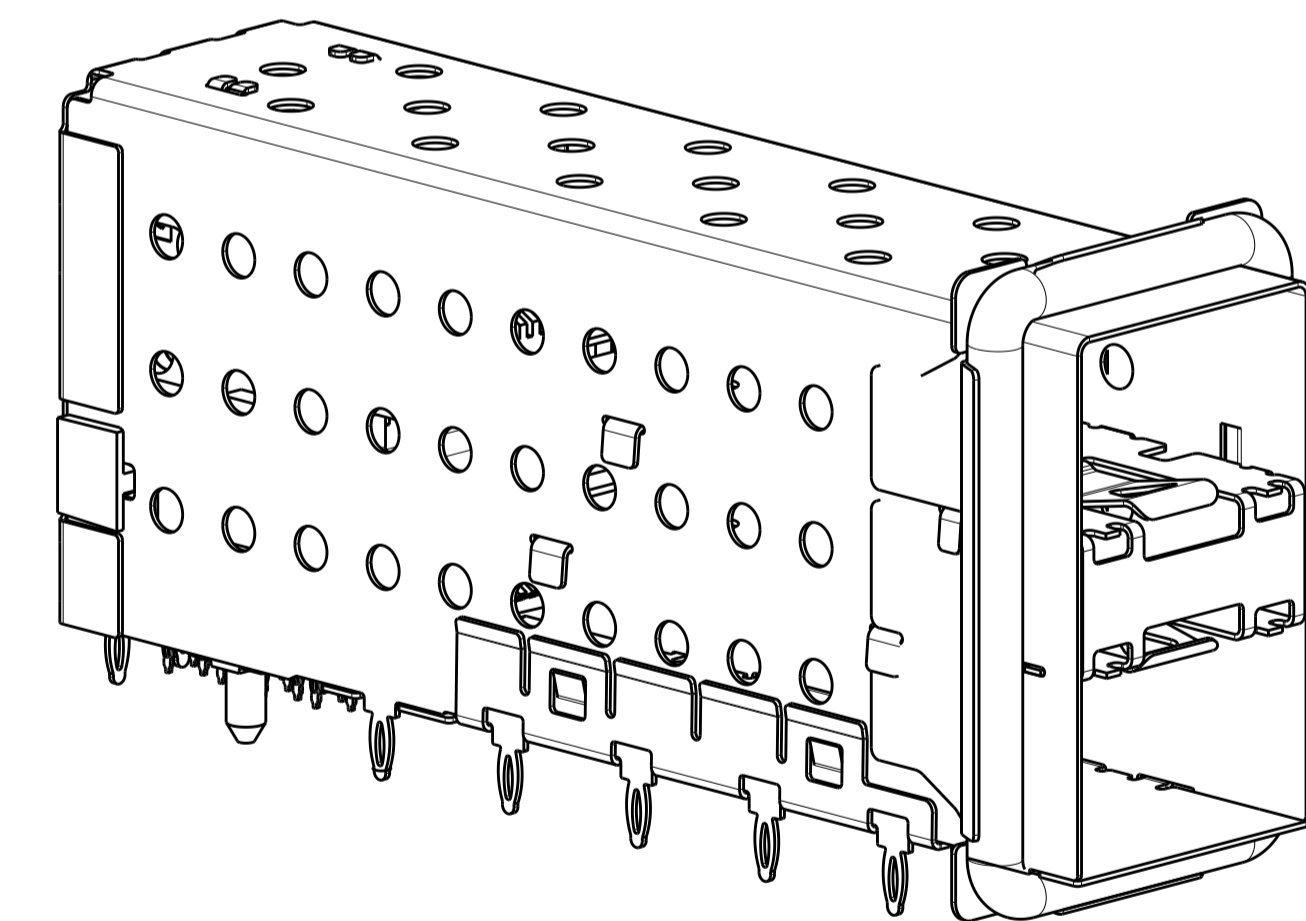
2007538-5 AND 1-2007538-5  
SCALE 3:1




2007538-6 AND 1-2007538-6  
SCALE 3:1



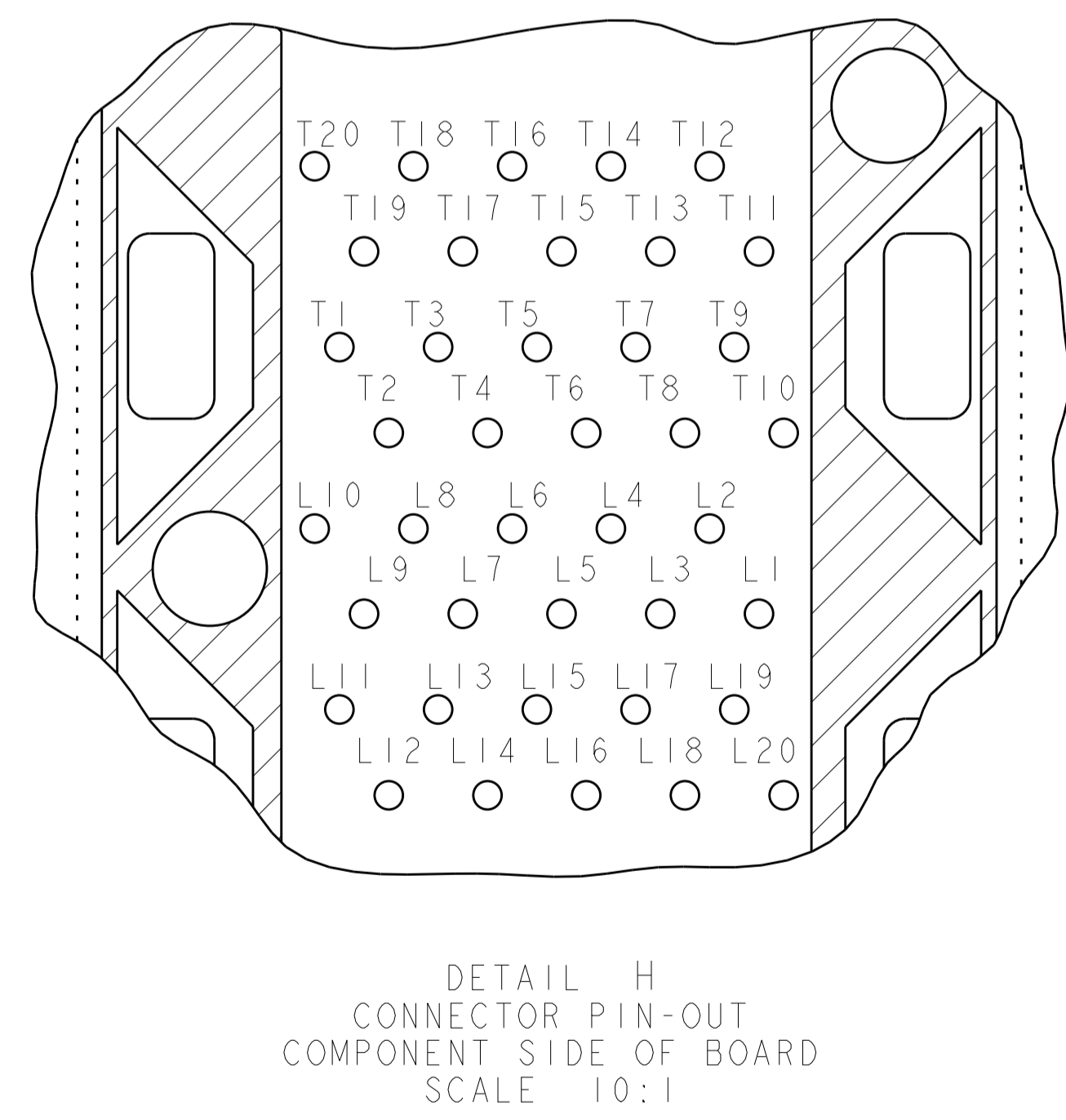
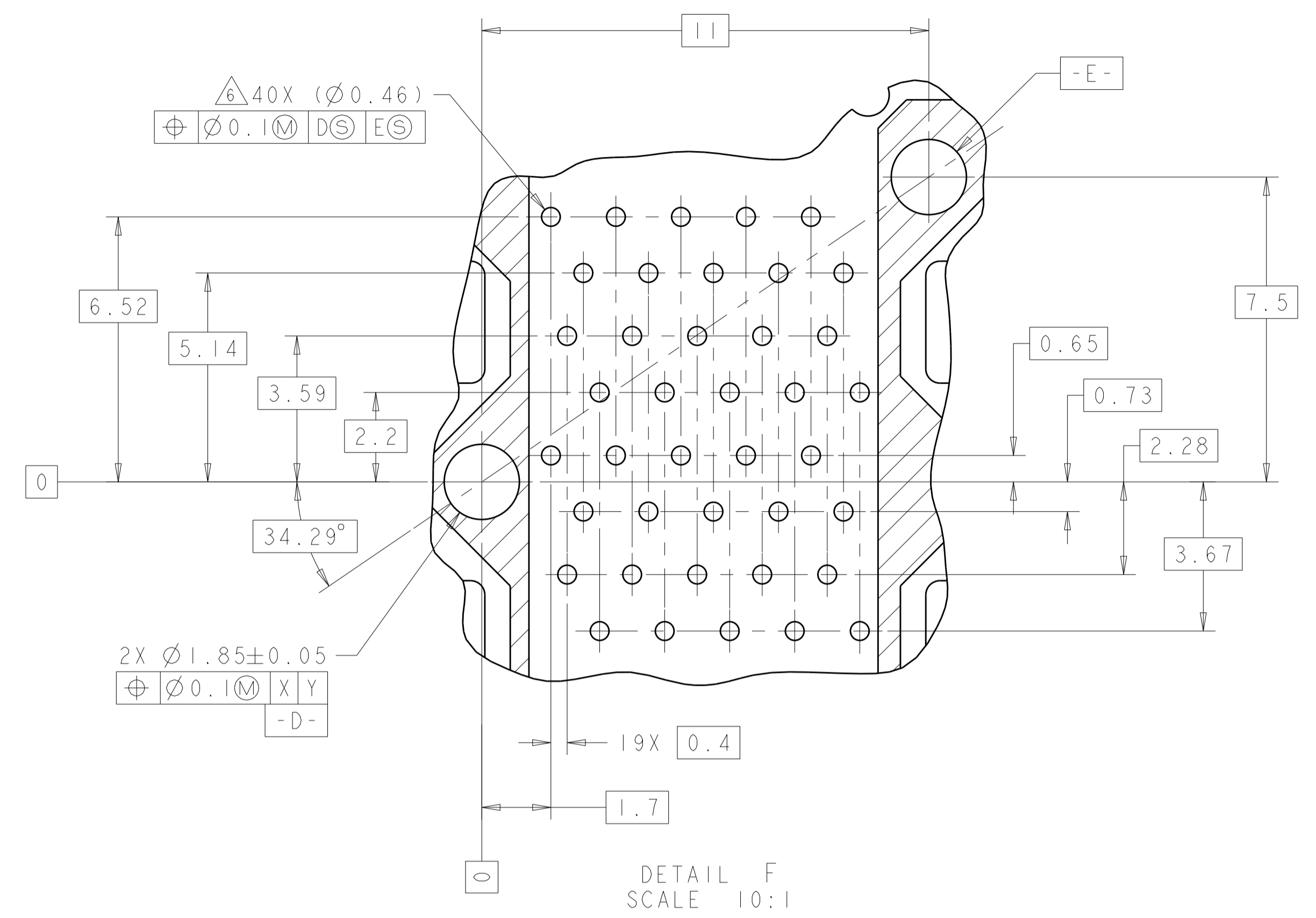
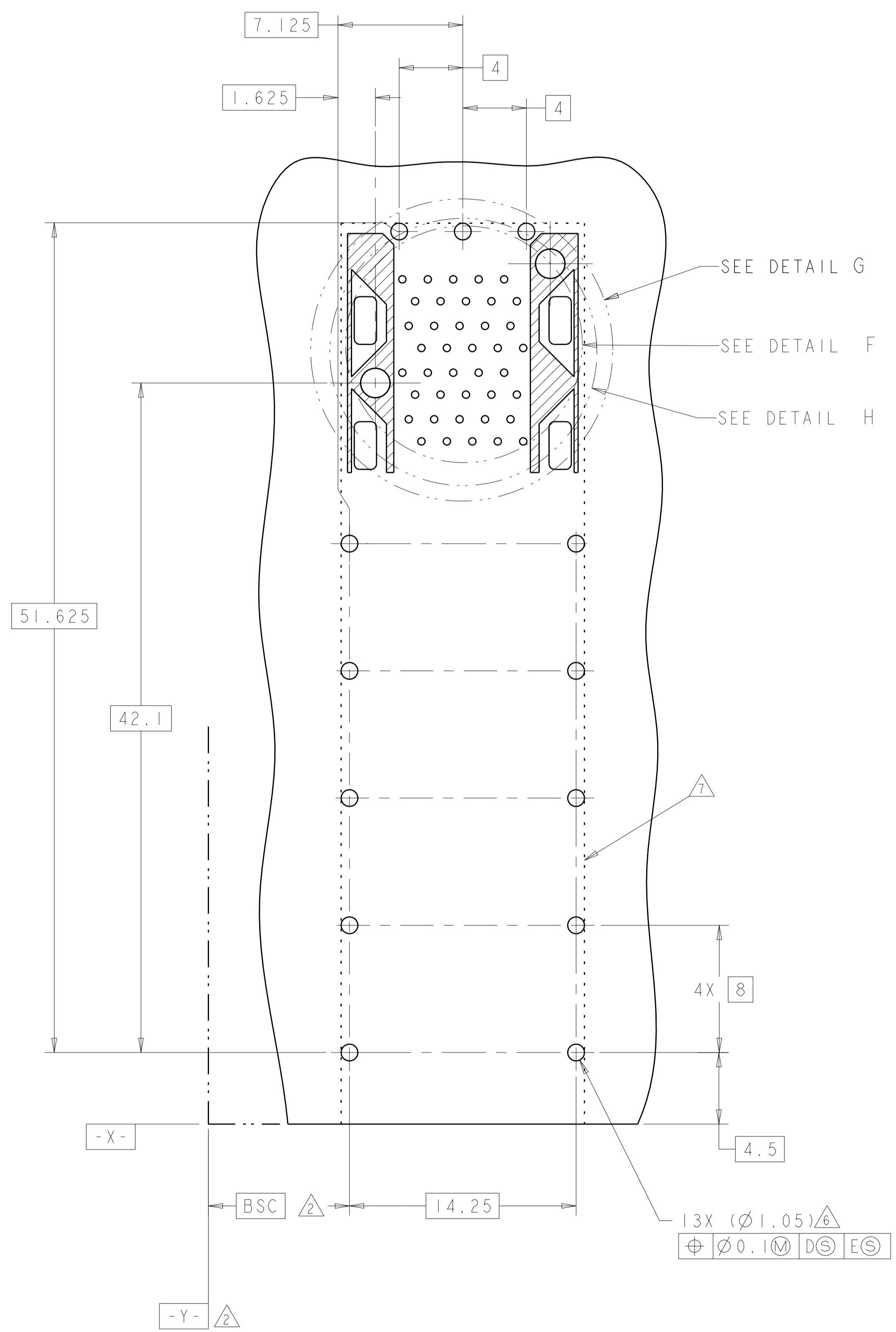
2007538-7 AND 1-2007538-7  
SCALE 3:1



2007538-8 AND 1-2007538-8  
SCALE 3:1

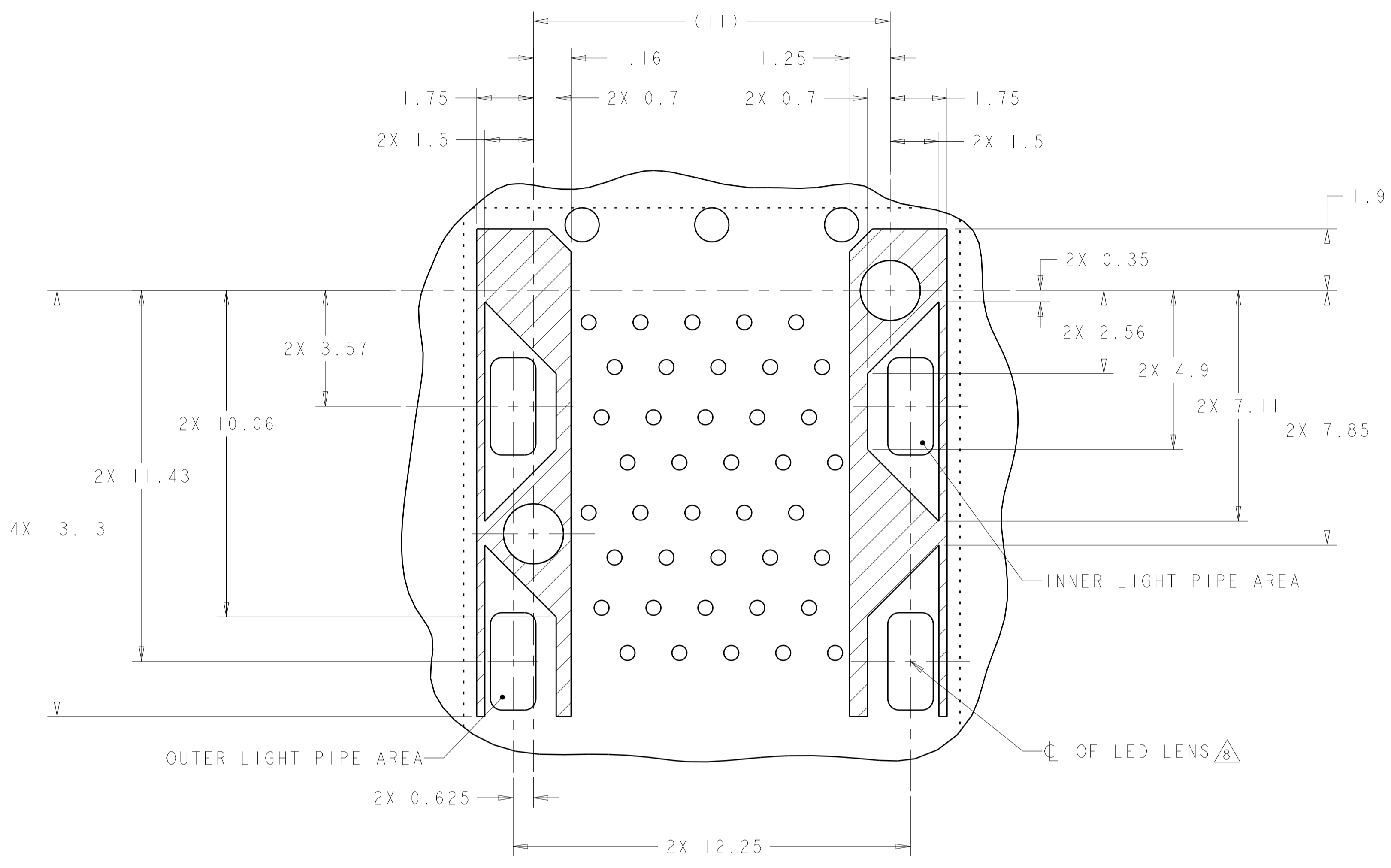
THIS DRAWING IS A CONTROLLED DOCUMENT.		DWN M. SHIRK	03JAN2007	 TE Connectivity
DIMENSIONS:		CHK D. SZCZESNY	03JAN2007	
TOLERANCES UNLESS OTHERWISE SPECIFIED:		APVD D. SZCZESNY	03JAN2007	NAME CAGE AND PT CONNECTOR ASSEMBLY, WITH EMI GASKET, PRESS FIT, 2X1, STACKED SFP+
mm		PRODUCT SPEC	108-2331	
0 PLC ±0.10		APPLICATION SPEC	114-13219	SIZE A100779
1 PLC ±0.10		WEIGHT	-	
2 PLC ±0.10		FINISH	-	SCALE 5:1 SHEET 1 OF 4 REV D
3 PLC ±0.10		CUSTOMER DRAWING	-	
4 PLC ±0.10				
ANGLES ±°				

REVISIONS				
P.	LTN	DESCRIPTION	DATE	APVD
-	SEE SHEET 1			

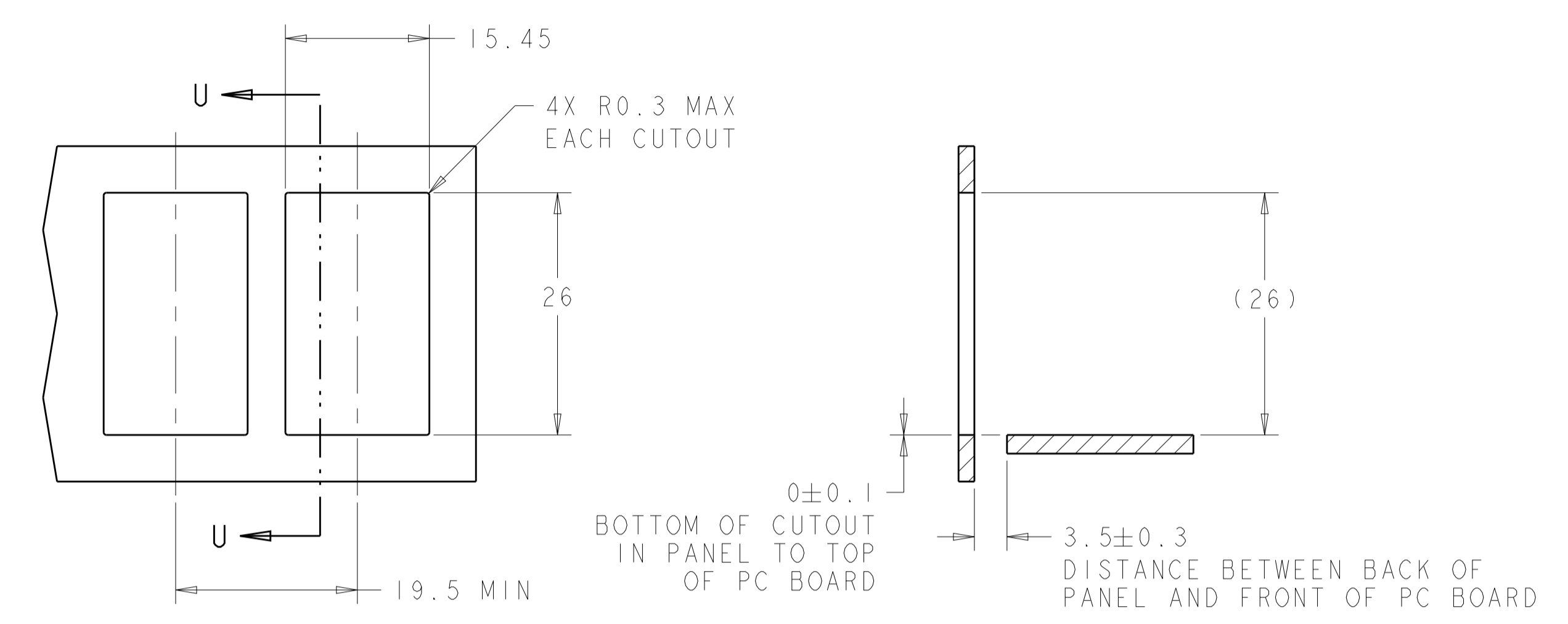


THIS DRAWING IS A CONTROLLED DOCUMENT.		OWN: M. SHIRK 03JAN2007	TE Connectivity
DIMENSIONS: mm		CHK: D. SZCZESNY 03JAN2007	
TOLERANCES UNLESS OTHERWISE SPECIFIED:		APVD: D. SZCZESNY 03JAN2007	NAME: CAGE AND PT CONNECTOR ASSEMBLY, WITH EMI GASKET, PRESS FIT, 2X1, STACKED SFP+
0 PLC ±0.10 1 PLC ±0.10 2 PLC ±0.10 3 PLC ±0.10 4 PLC ±0.10 ANGLES ±°		PRODUCT SPEC: 108-2331	
MATERIAL:		APPLICATION SPEC: 114-13219	SIZE: A100779 CAGE CODE: C=2007538 DRAWING NO: 114-13219
FINISH:		WEIGHT:	
		CUSTOMER DRAWING	SCALE: 5:1 SHEET 1 OF 4 REV D

REVISIONS				
P.	LTN.	DESCRIPTION	DATE	APP'D.
-	-	SEE SHEET 1	-	-



DETAIL G  
CONNECTOR HOUSING  
KEEPOUT ZONE  
SCALE 10:1



RECOMMENDED PANEL CUTOUT  
AND PC BOARD, PANEL POSITION  
SCALE 2:1

SECTION U-U

THIS DRAWING IS A CONTROLLED DOCUMENT.		DWN M. SHIRK 03JAN2007	TE Connectivity
DIMENSIONS: mm		CHK D. SZCZESNY 03JAN2007	
TOLERANCES UNLESS OTHERWISE SPECIFIED:		APVD D. SZCZESNY 03JAN2007	NAME CAGE AND PT CONNECTOR ASSEMBLY, WITH EMI GASKET, PRESS FIT, 2X1, STACKED SFP+
0 PLC ±0.10	1 PLC ±0.10	PRODUCT SPEC 108-2331	SIZE A100779
2 PLC ±0.10	3 PLC ±0.10	APPLICATION SPEC 114-13219	CAGE CODE DRAWING NO C=2007538
4 PLC ±0.10	ANGLES ±°	WEIGHT	RESTRICTED TO
MATERIAL	FINISH	CUSTOMER DRAWING	SCALE 5:1 SHEET 1 OF 4 REV D