

1) Potentiometer



**HEARTBEAT**®



## Basic features

Approval/Conformity	CE WEEE cULus EAC
Basic standard	EN 61204
Series	Heartbeat
Short description	Switching power supply
Version	DIN rail

## Electrical connection

Connection (supply voltage IN)	Terminal strip
Connection (supply voltage OUT)	Terminal strip
Connection alarm	Opto-relay with "Common" contact
Interconnected operation type	Parallel wiring: not possible Series wiring: max. 2 devices
Polarity reversal protected	no
Short-circuit protection	continuous short circuit protection

## Electrical data

Current alarm max.	150 mA
Derating	-3.5 %/°C > +50 °C
Efficiency typ.	94 %
Hold-up time	≥ 30 ms at 230 V AC ≥ 25 ms at 115 V AC
Idle running losses	3.0 W at 115 V/230 V
Input fuse	T 12 A internal
Input voltage	115/230 V AC automatic selection
Input voltage	90...132 V AC 198...264 V AC
Input/output insulation voltage	3000 V AC
Inrush current	≤ 20 A at 230 V AC ≤ 15 A at 115 V AC
Isolation resistance	≥ 100 MOhm
Load control	±0.5 %
Output capacity max.	720 W
Output current max.	30 A for max. 4s 1x/min.
Output rating	480 W
Output voltage	24 VDC

Switching Power Supplies  
**BAE PS-XA-1S-24-200-104**  
**Order Code: BAE00M3**

**BALLUFF**

Output voltage, tolerance	±1 %
Power boost	150 %
Power boost, duration max.	4 s
Protection class	I (IEC 61140)
Rated input current	4.6 A at 230 V AC 9.0 A at 115 V AC
Rated output current	20 A
Residual ripple max.	50 mVpp/10 mVrms
Setting range	22...28 V DC
Settling time	2 ms
Switching frequency	115000 Hz
Turn-on time max.	1 s
Voltage alarm max.	60 V DC/30 V AC
Voltage control	±0.5 %
Working frequency	47...63 Hz

**Environmental conditions**

Ambient temperature	-25...60 °C
Contamination scale	2
Cooling	Free convection
IP rating	IP20
Over temperature	not protected
Relative humidity	5...95 %, non-condensing
Storage temperature	-25...85 °C
Temperature coefficient max.	±0.03 %/K

**Functional safety**

MTTF (40 °C)	43.3 a
--------------	--------

**Material**

Housing material	Aluminum
------------------	----------

**Mechanical data**

Dimension	79 x 127 x 139 mm
Mounting part	DIN rail mount
Weight	1.10 kg

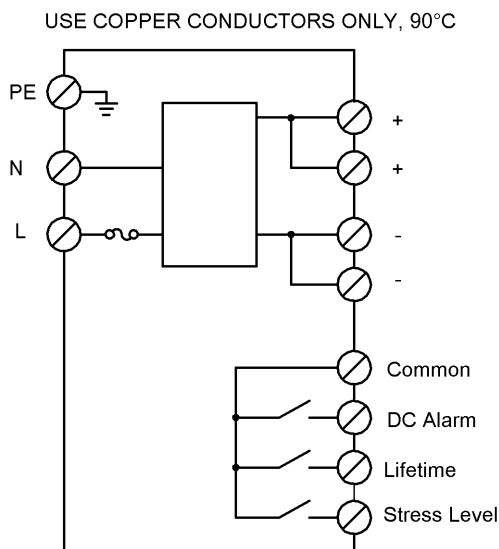
**Remarks**

Values measured at +25 °C and full load.

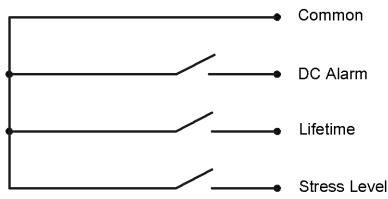
For more information about MTTF and B10d see MTTF / B10d Certificate

Indication of the MTTF- / B10d value does not represent a binding composition and/or life expectancy assurance; these are simply experiential values with no warranty implications. These declared values also do not extend the expiration period for defect claims or affect it in any way.

**Wiring Diagrams**

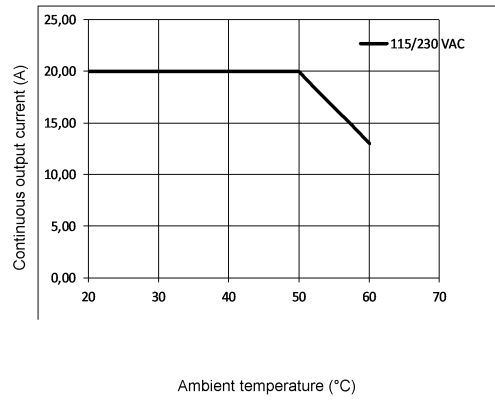


## Help Views

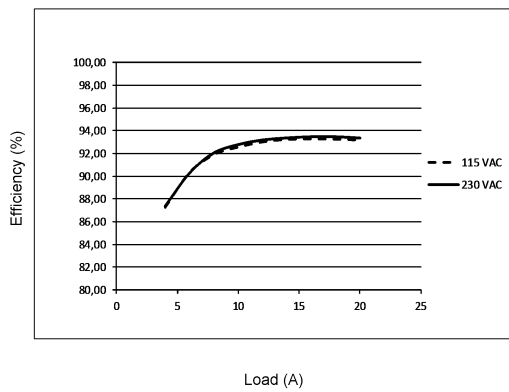


Potential-free alarm contacts

Derating curve



Efficiency 115/230 V AC



Load lines

