

PLEASE CHECK WWW.MOLEX.COM FOR LATEST PART INFORMATION

Part Number: [0495181092](#)
Status: **Active**
Description: 3.96mm (.156") Pitch Wire-to-Board Retainer, 10 Circuits, UL94V-2, Red

Documents:

[Drawing \(PDF\)](#) [RoHS Certificate of Compliance \(PDF\)](#)
[Product Specification PS-49517-001 \(PDF\)](#)

General

| | |
|----------------|---------------------------|
| Product Family | Accessories |
| Series | 49518 |
| Component Type | Retainer |
| Product Name | TPA™ - Term Pos Assurance |

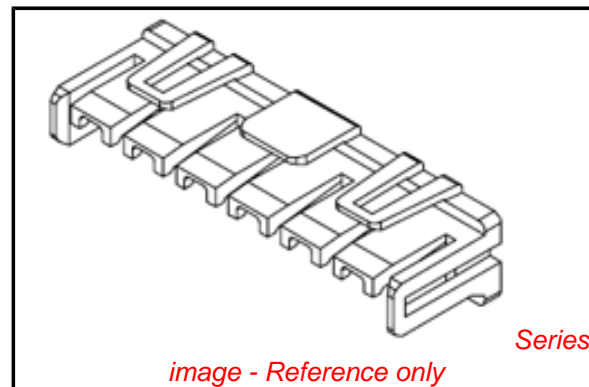
Physical

| | |
|-------------------------------|----------------|
| Circuits (Loaded) | 10 |
| Color - Resin | Natural |
| Lock to Mating Part | Yes |
| Material - Resin | Nylon |
| Number of Rows | 0 |
| Packaging Type | Bag |
| Temperature Range - Operating | -25°C to +85°C |

Material Info

Reference - Drawing Numbers

| | |
|-------------------------|--------------|
| Packaging Specification | PK-49518-001 |
| Product Specification | PS-49517-001 |
| Sales Drawing | SD-49518-001 |



EU RoHS

**ELV and RoHS
Compliant**
REACH SVHC
 Not Reviewed
**Halogen-Free
Status**
Not Reviewed

China RoHS



**Need more information on product
environmental compliance?**

Email productcompliance@molex.com
 For a multiple part number RoHS Certificate of Compliance, [click here](#)

Please visit the [Contact Us](#) section for any non-product compliance questions.

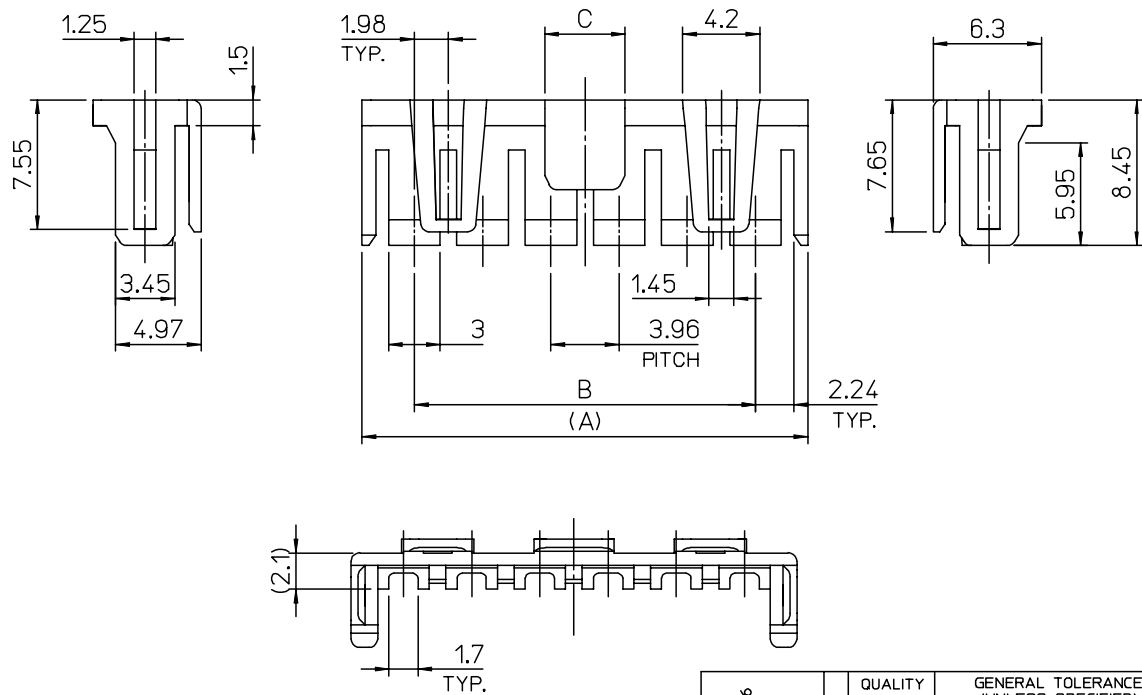
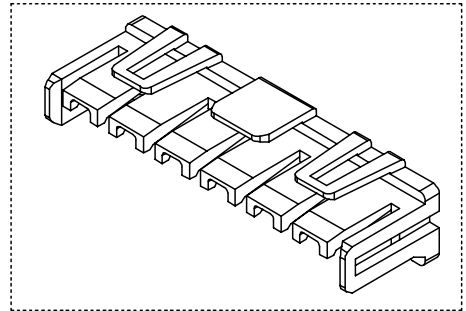
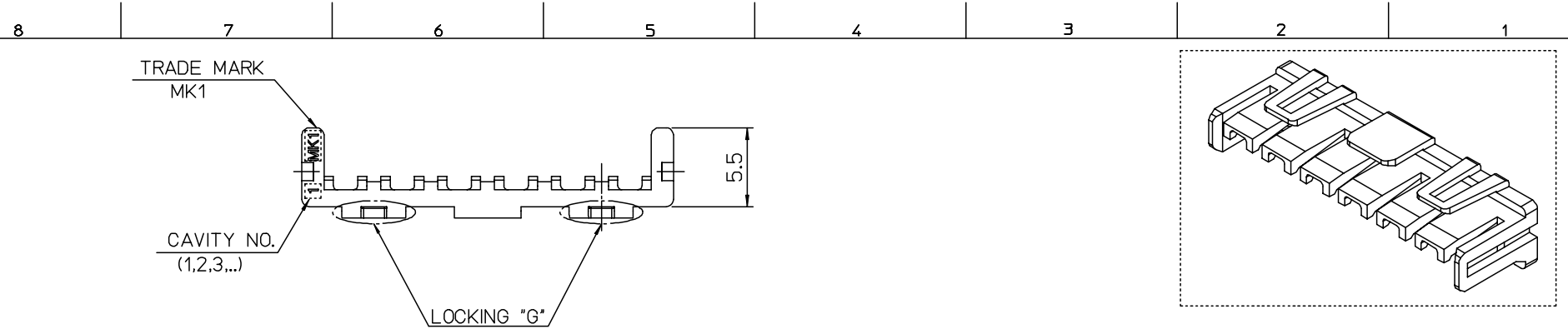
Search Parts in this Series

[49518Series](#)

Use With

[49517 Wire-to-Board Female Housing](#)

DWG. NO. SD-49518-001
 PROJECT NO. C
 SIMILAR ITEM
 DO NOT SCALE DRAWING DIMENSION IN METRIC



| | | | | | |
|-------|-------|-------|--------------|------|-----------------|
| 17.07 | 55.44 | 61.52 | - 1590 | 15 | LOCKING |
| | 51.48 | 57.56 | - 1490 | 14 | |
| | 47.52 | 53.6 | - 1390 | 13 | |
| | 43.56 | 49.64 | - 1290 | 12 | |
| | 39.60 | 45.68 | - 1190 | 11 | |
| | 35.64 | 41.72 | - 1090 | 10 | |
| 14.87 | 31.68 | 37.76 | - 0990 | 9 | |
| 12.87 | 27.72 | 33.8 | - 0890 | 8 | |
| 8.04 | 23.76 | 29.84 | - 0790 | 7 | |
| 4.67 | 19.80 | 25.88 | - 0690 | 6 | WITHOUT LOCKING |
| | 15.84 | 21.92 | - 0590 | 5 | |
| | 11.88 | 17.96 | - 0490 | 4 | |
| | 7.92 | 14 | - 0390 | 3 | |
| 0.67 | 3.96 | 10.04 | 49518- 0290 | 2 | |
| C | B | A | MATERIAL NO. | CKT' | TYPE'G' |

- NOTES
- MATERIAL : POLYAMIDE66,UL94V-2
 - FINISH : NATURAL COLOR
 - MATED WITH HOUSING : 49517 SERIES

| | | | | | | | | | | | |
|--|--------------------------------------|--|--------------|--|--|---|---------------------------|-----------------------------|---------------------|-------|-------|
| NEW RELEASED ECN NO. KOR2006-0026 DRWN: J.B.JIN 05/08/22 CHK: W.Y.YANG APPR: C.W.LEE | QUALITY SYMBOLS MAJOR CRITICAL | GENERAL TOLERANCES: (UNLESS SPECIFIED) | | SCALE 1:1 | DESIGN UNITS <input checked="" type="checkbox"/> mm <input type="checkbox"/> INCH | DIMENSIONS: <input type="checkbox"/> mm <input type="checkbox"/> INCH <input checked="" type="checkbox"/> mm ONLY | | SHT | REV | | |
| | | 4 PLACES | ±0. | ±- | DRAWN BY & DATE J.B.JIN 05/02/18 | TITLE: 3.96 W/B CONN.-TPA | | | | | |
| | | 3 PLACES | ±0. | ±- | CHECKED BY & DATE W.Y.YANG 05/02/18 | MOLEX INCORPORATED | | | | | |
| | | 2 PLACES | ±0.25 | ±- | APPROVED BY & DATE C.W.LEE 05/02/18 | CAD FILENAME S49518AA.MI | MATERIAL NO. SEE CHART | DRAWING NO. SD-49518-001 | SHEET NO. 1 OF 1 | | |
| 1 PLACE | ±0.25 | ±- | ANGULAR: ± ° | THIS DRAWING CONTAINS INFORMATION THAT IS PROPRIETARY TO MOLEX INCORPORATED AND SHOULD NOT BE USED WITHOUT WRITTEN PERMISSION. | | | | | SIZE B | | |
| A | REV | DRAFT WHERE APPLICABLE MUST REMAIN WITHIN DIMENSIONS | | | | | | | | KOREA | MX-A3 |