

Thin Film Current Sensing Chip Resistor



CST Series

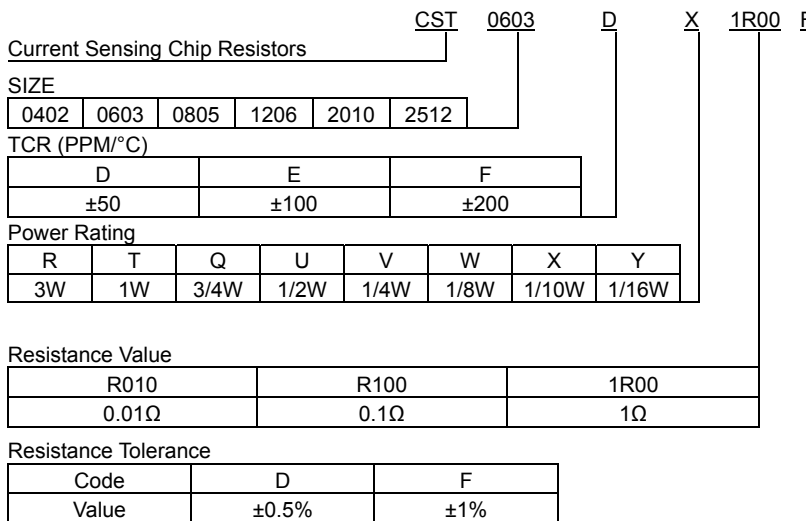
MERITEK

Feature and Applications

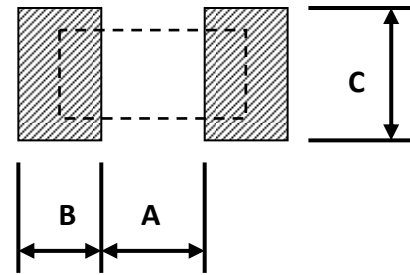
- Thin film process
- High power rating up to 3 Watts in 2512 size
- Tight tolerance down to $\pm 0.5\%$
- Extremely low TCR down to ± 50 PPM/ $^{\circ}\text{C}$
- Resistance values from 50m to 1ohm
- High purity alumina substrate for high power dissipation
- Power Management Applications
- Switching Power Supply
- Over Current Protection in Audio Applications
- Voltage Regulation Module (VRM)
- DC-DC Converter, Battery Pack, Charger, Adaptor
- Automotive Engine Control
- Disk Driver
- Portable Devices (PDA, Cell Phone)



PART NUMBERING SYSTEM



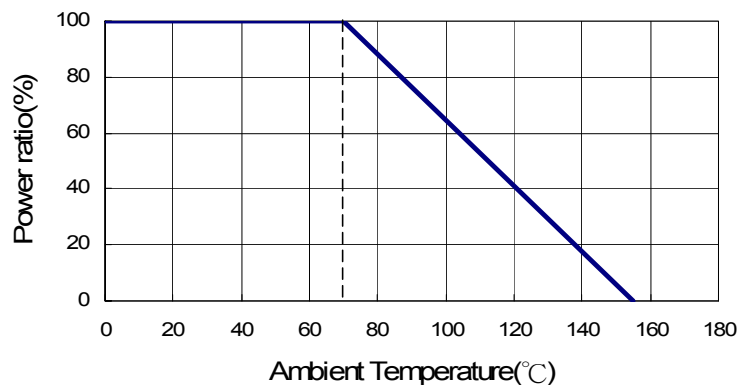
Recommend Land Pattern



Unit: mm

Type	A	B	C
CST0402	0.50	0.50	0.60 ± 0.2
CST0603	0.80	1.00	0.90 ± 0.2
CST0805	1.00	1.00	1.35 ± 0.2
CST1206	2.00	1.15	1.70 ± 0.2
CST2010	3.60	1.40	2.50 ± 0.2
CST2512	4.90	1.60	3.10 ± 0.2

Derating Curve



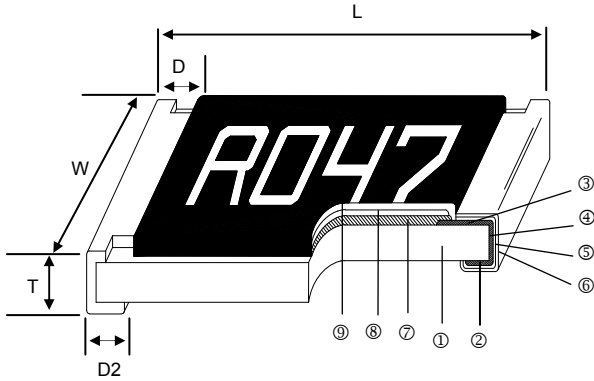
Thin Film Current Sensing Chip Resistor



CST Series

MERITEK

Construction



① Alumina Substrate	④ Edge Electrode (NiCr)	⑦ Resistor Layer (NiCr)
② Bottom Electrode (Ag)	⑤ Barrier Layer (Ni)	⑧ Overcoat (Epoxy)
③ Top Electrode (Ag-Pd)	⑥ External Electrode (Sn)	⑨ Marking

Unit: mm

Type	Size (Inch)	L	W	T	D1	D2	Weight (g) (1000pcs)
CST0402	0402	1.00±0.05	0.50±0.05	0.32±0.10	0.25±0.10	0.20±0.10	0.56
CST0603	0603	1.60±0.10	0.80±0.10	0.45±0.10	0.30±0.20	0.30±0.20	3.1
CST0805	0805	2.00±0.15	1.25±0.15	0.55±0.10	0.30±0.20	0.40±0.25	5.6
CST1206	1206	3.05±0.15	1.55±0.15	0.55±0.10	0.50±0.30	0.40±0.25	12.3
CST2010	2010	5.00±0.20	2.45±0.15	0.60±0.15	0.60±0.30	0.50±0.25	26.7
CST2512	2512	6.35±0.20	3.15±0.15	0.60±0.10	0.60±0.30	0.55±0.25	49.6

Standard Electrical Specifications

Item Type	Power Rating at 70°C	Operating Temp. Range	Resistance Range (mΩ)		TCR (PPM/°C)
			±0.5%	±1%	
CST0402	1/16W	-55~+155°C	500 - 1000		±100 ±50
CST0603	1/10W		200 - 300 301 - 1000	±100 ±50	
CST0805	1/8W	-55~+155°C	200 - 300 301 - 1000	±100 ±50	
CST1206	1/4W		— 50 - 100	±200 ±100 ±50	
CST2010	3/4W	-55~+155°C	101 - 300 301 - 1000	±200 ±100 ±50	
CST2512	1W		50 - 100 101 - 300 301 - 1000	±200 ±100 ±50	

High Power Rating Electrical Specifications

Item Type	Power Rating at 70°C	Operating Temp. Range	Resistance Range (mΩ)	TCR (PPM/°C)
			±1%	
CST2512	3W	-55~+155°C	100 - 1000	±100

Operating Voltage= $\sqrt{P \cdot R}$

Overload Voltage= $2.5 \cdot \sqrt{P \cdot R}$

Thin Film Current Sensing Chip Resistor



CST Series

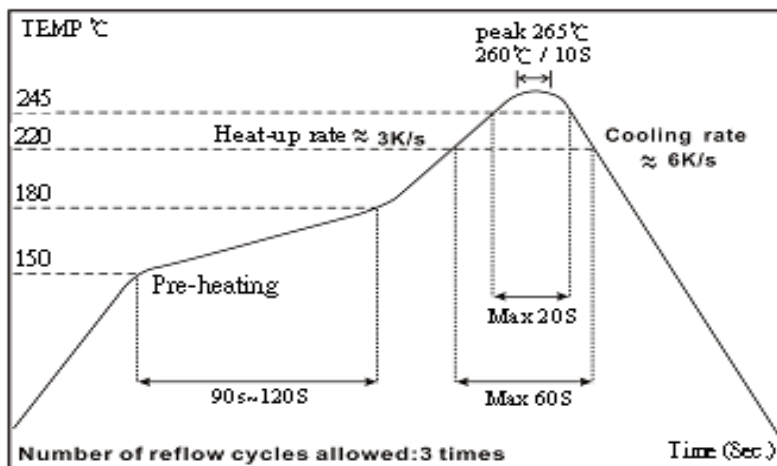
MERITEK

Environmental Characteristics

Item	Requirement	Test Method
Temperature Coefficient of Resistance (T.C.R.)	As Spec.	MIL-STD-202F Method 304 +25/-55/+25/+125/+25°C
Short Time Overload	±1%	JIS-C-5201-1 5.5 RCWV*2.5 or Max. overload voltage for 5 seconds
Insulation Resistance	>1000MΩ	MIL-STD-202F Method 302 Apply 100V _{DC} for 1 minute
Endurance	±1%	MIL-STD-202F Method 108A 70±2°C, Max. working voltage for 1000 hrs with 1.5 hrs "ON" and 0.5 hrs "OFF"
Damp Heat with Load	±0.5%	MIL-STD-202F Method 103B 40±2°C, 90~95% R.H. Max. working voltage for 1000 hrs with 1.5 hrs "ON" and 0.5 hrs "OFF"
Bending Strength	As Spec.	JIS-C-5201-1 6.1.4 Bending amplitude 3mm for 10 seconds
Solderability	95% min. coverage	MIL-STD-202F Method 208H 245±5°C for 3 seconds
Resistance to Soldering Heat	±0.5%	MIL-STD-202F Method 210E 260±5°C for 10 seconds
Dielectric Withstand Voltage	By Type	MIL-STD-202F Method 301 Apply Max. Overload Voltage for 1 minute
Thermal Shock	±0.5%	MIL-STD-202F Method 107G -55°C ~150°C, 100 cycles
Low Temperature Operation	±0.5%	JIS-C-5201-1 7.1 1 hour, -65°C followed by 45 minutes of RCWV

Storage Temperature: 25±3°C; Humidity < 80%RH

Reflow



Thin Film Current Sensing Chip Resistor

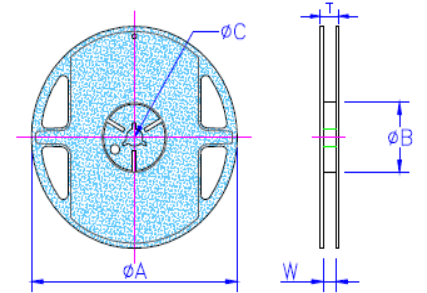


CST Series

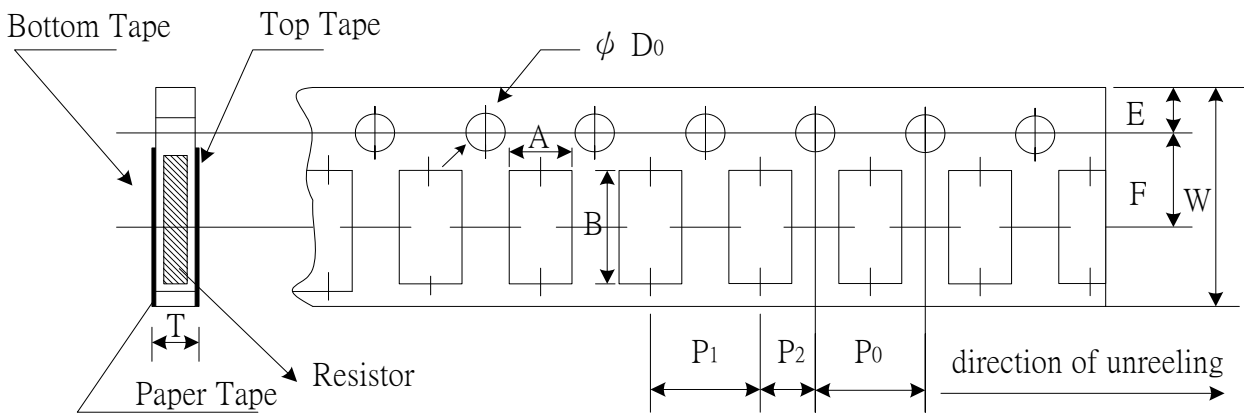
MERITEK

Packaging

Type	ψA	ΦB	ψC	W	T	Paper Tape (EA)	Emboss Plastic Tape (EA)
CST0402	178.0±1.0	60.0+1.0	13.5±0.7	9.5±1.0	11.5±1.0	10,000	
CST0603	178.0±1.0	60.0+1.0	13.5±0.7	9.5±1.0	11.5±1.0	5,000	-
CST0805	178.0±1.0	60.0+1.0	13.5±0.7	9.5±1.0	11.5±1.0	5,000	-
CST1206	178.0±1.0	60.0+1.0	13.5±0.7	9.5±1.0	11.5±1.0	5,000	-
CST2010	178.0±1.0	60.0+1.0	13.5±0.7	13.5±1.00	15.5±1.0	-	4,000
CST2512	178.0±1.0	60.0+1.0	13.5±0.7	13.5±1.00	15.5±1.0	-	4,000



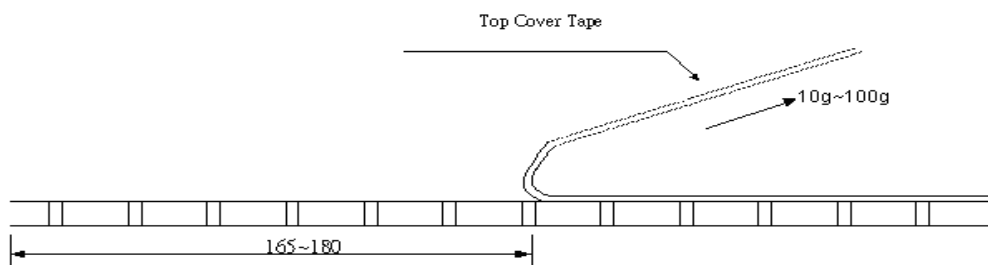
Paper Tape Specifications



Unit: mm

Type	A	B	W	E	F	P0	P1	P2	ψD_0	T
CST0402	0.70±0.05	1.16±0.05	8.00±0.10	1.75±0.05	3.5±0.05	4.00±0.10	2.00±0.05	2.00±0.05	1.55±0.05	0.40±0.03
CST0603	1.10±0.05	1.90±0.05	8.00±0.10	1.75±0.05	3.5±0.05	4.00±0.10	4.00±0.10	2.00±0.05	1.55±0.05	0.60±0.03
CST0805	1.60±0.05	2.37±0.05	8.00±0.10	1.75±0.05	3.5±0.05	4.00±0.10	4.00±0.10	2.00±0.05	1.55±0.05	0.75±0.05
CST1206	2.00±0.05	3.55±0.05	8.00±0.10	1.75±0.05	3.5±0.05	4.00±0.10	4.00±0.10	2.00±0.05	1.55±0.05	0.75±0.05

- Peel force of top cover tape
- The peel speed shall be about 300mm/min±5%
- The peel force of top cover tape shall be between 10 to 100g



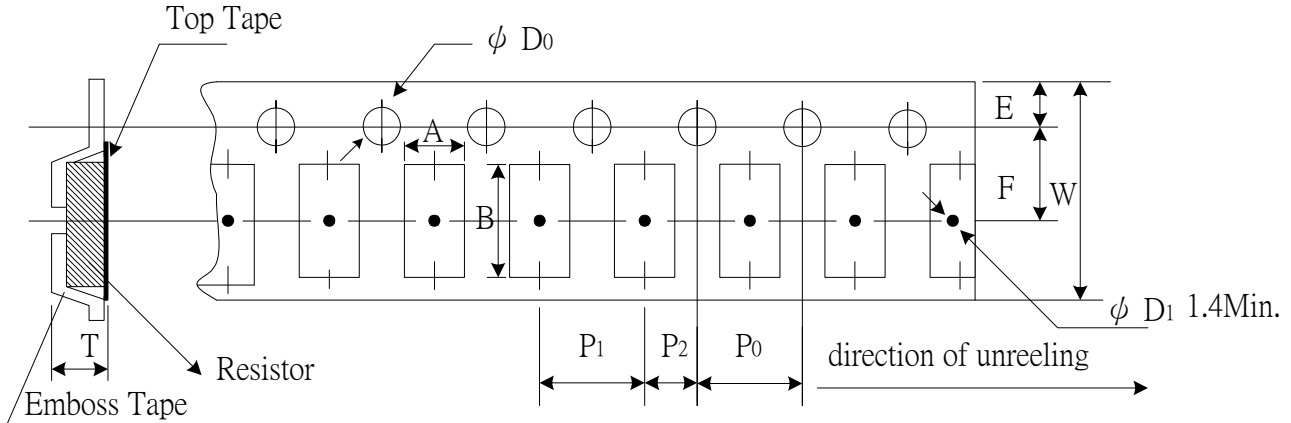
Thin Film Current Sensing Chip Resistor



CST Series

MERITEK

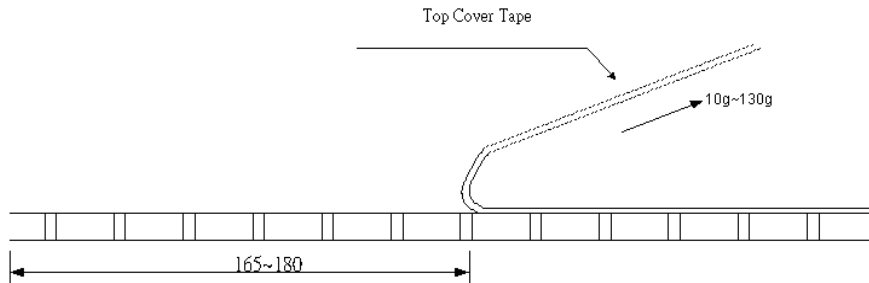
Emboss Plastic Tape Specifications



Unit: mm

Type	A	B	W	E	F	P ₀	P ₁	P ₂	ψD_0	T
CST2010	2.85±0.10	5.45±0.10	12.0±0.10	1.75±0.10	5.5±0.05	4.00±0.05	4.00±0.10	2.00±0.05	1.50±0.10	1.00±0.20
CST2512	3.40±0.10	6.65±0.10	12.0±0.10	1.75±0.10	5.5±0.05	4.00±0.05	4.00±0.10	2.00±0.05	1.50±0.10	1.00±0.20

- Peel force of top cover tape
- The peel speed shall be about 300mm/min±5%
- The peel force of top cover tape shall be between 10 to 130g



Marking

0603 3digit marking

Example :

Resistance	1Ω	0.1Ω	0.15Ω	0.01Ω	0.101Ω	0.035Ω
Codes	1R0	R10	R15	R01	<u>101</u>	<u>035</u>

0805~2512 4digit marking

Example :

Resistance	1Ω	0.1Ω	0.05Ω	0.015Ω	0.01Ω
Codes	1R00	R100	R050	R015	R010

Thin Film Current Sensing Chip Resistor



CST Series

MERITEK