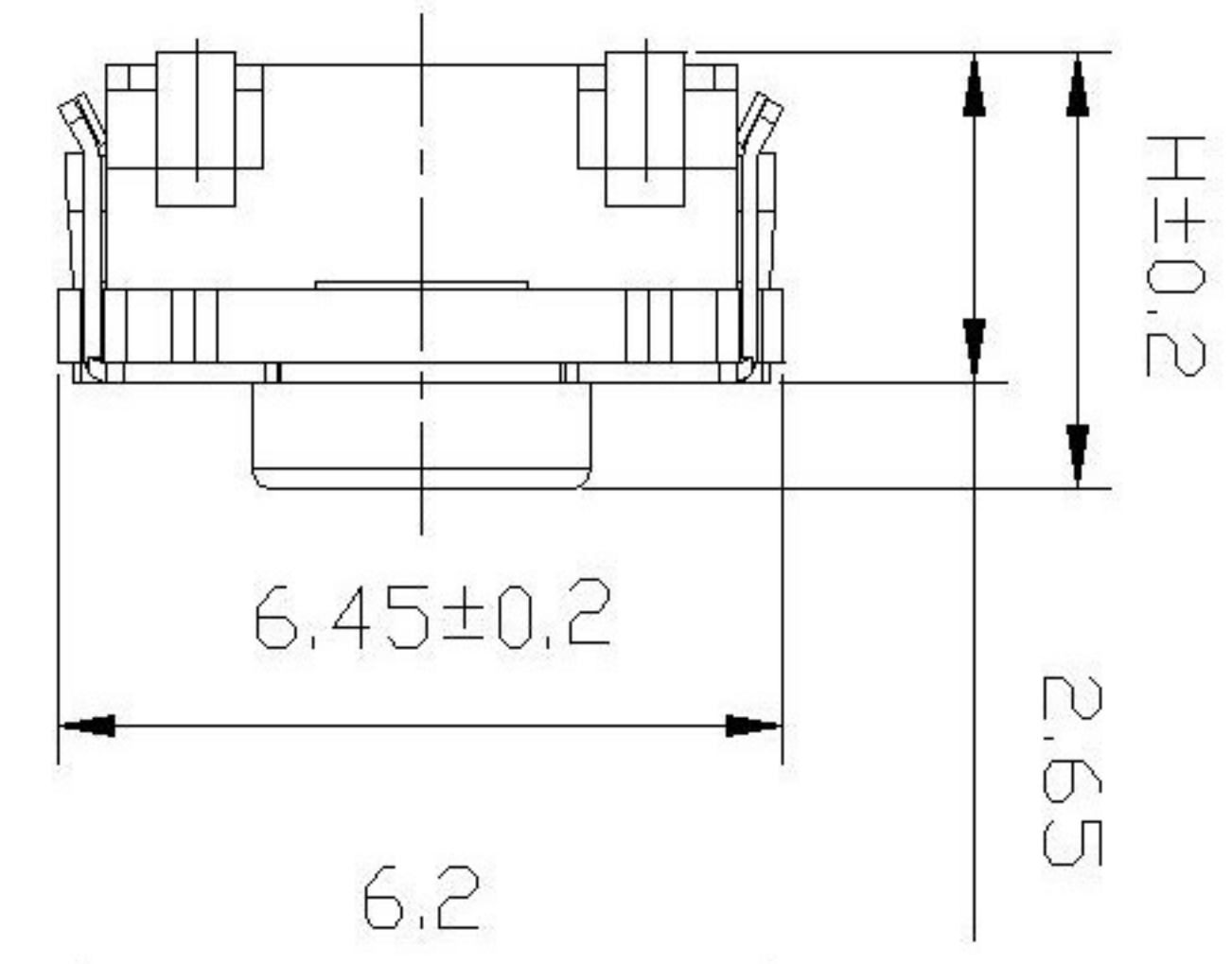
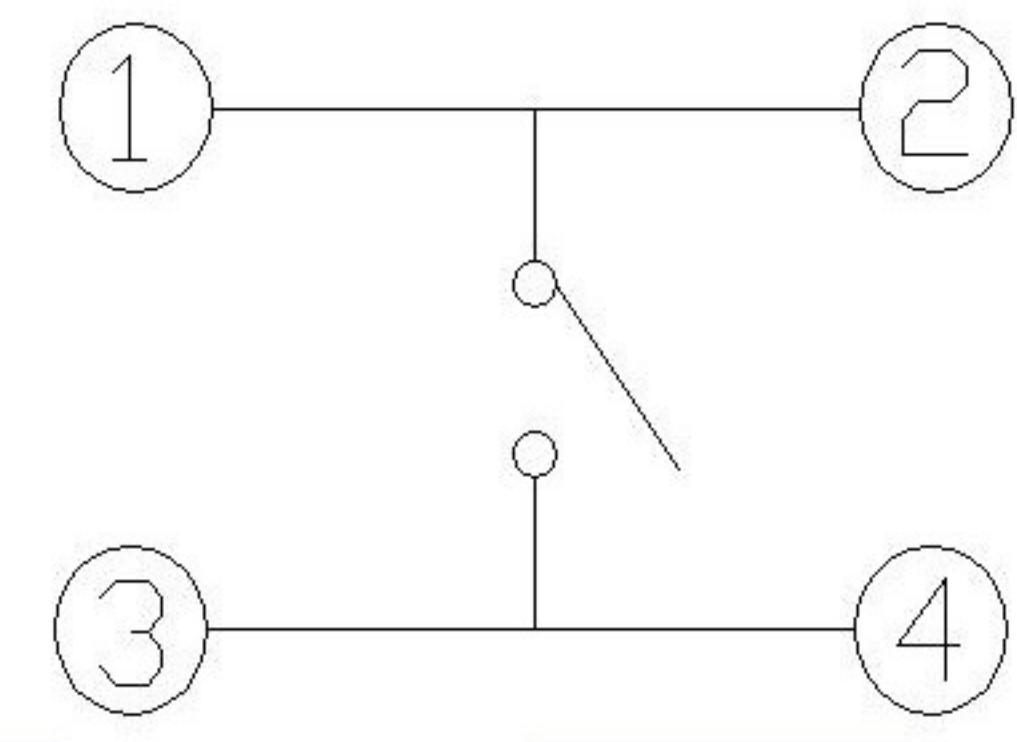


IP67

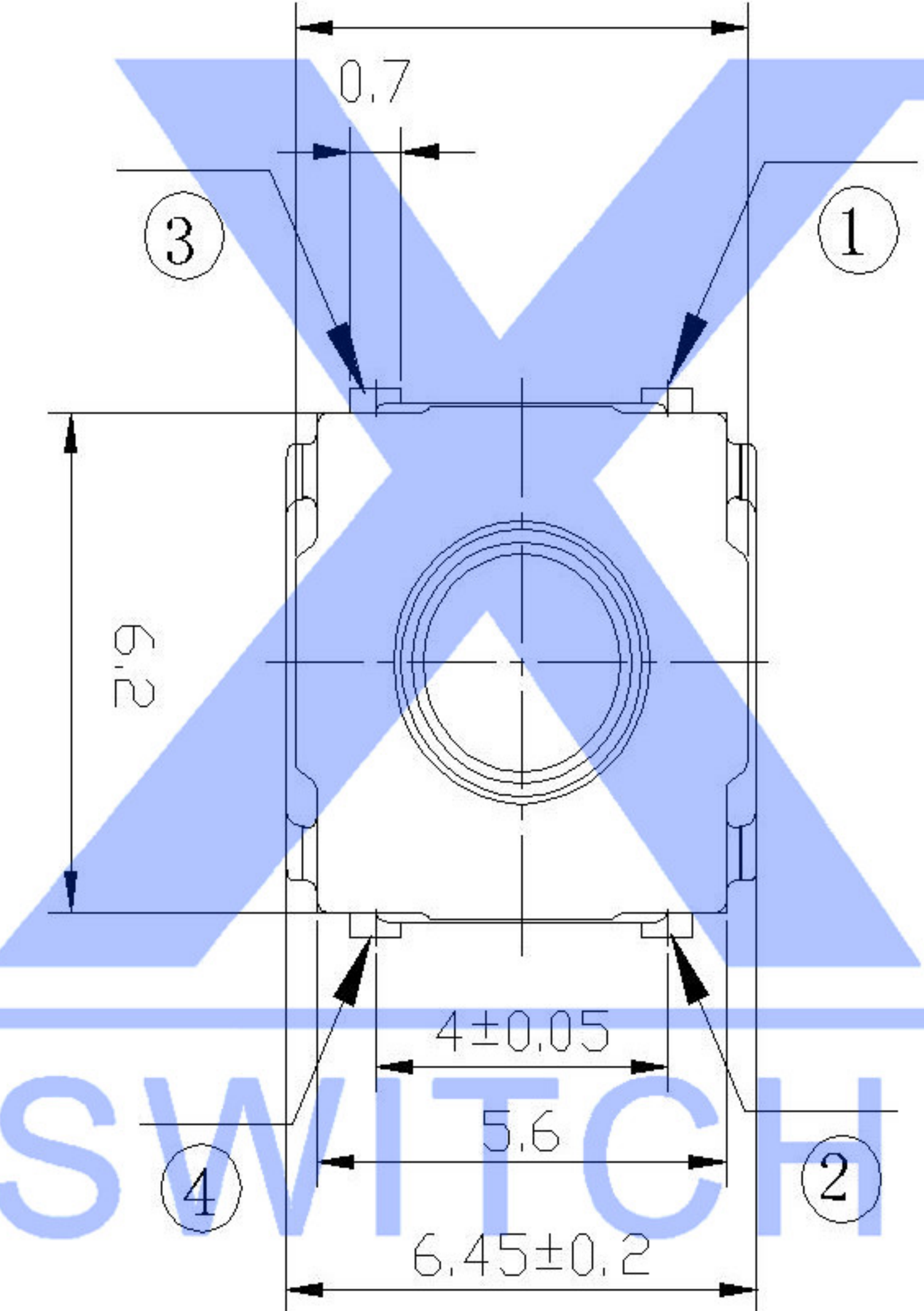
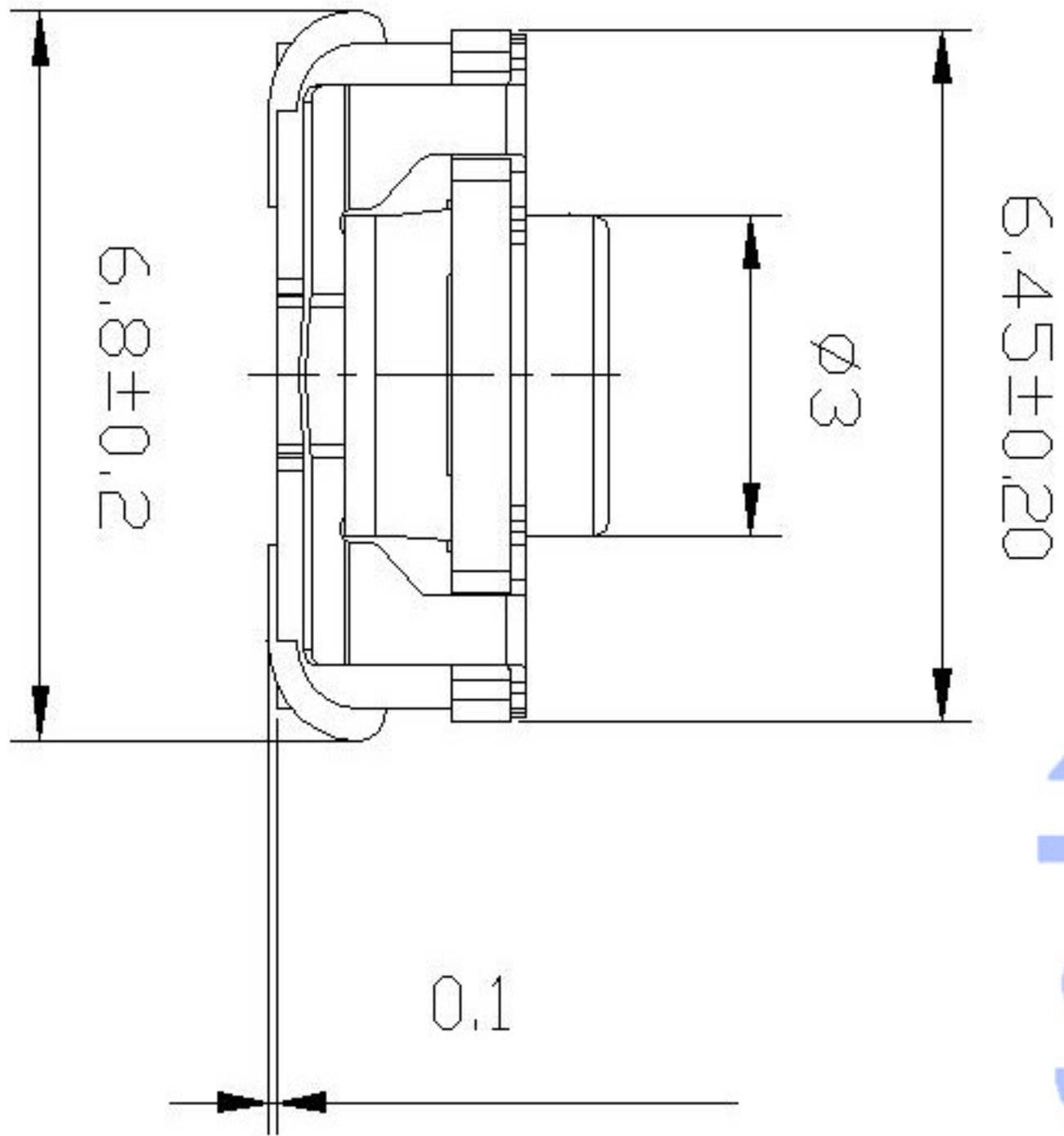


CIRCUIT DIAGRAM

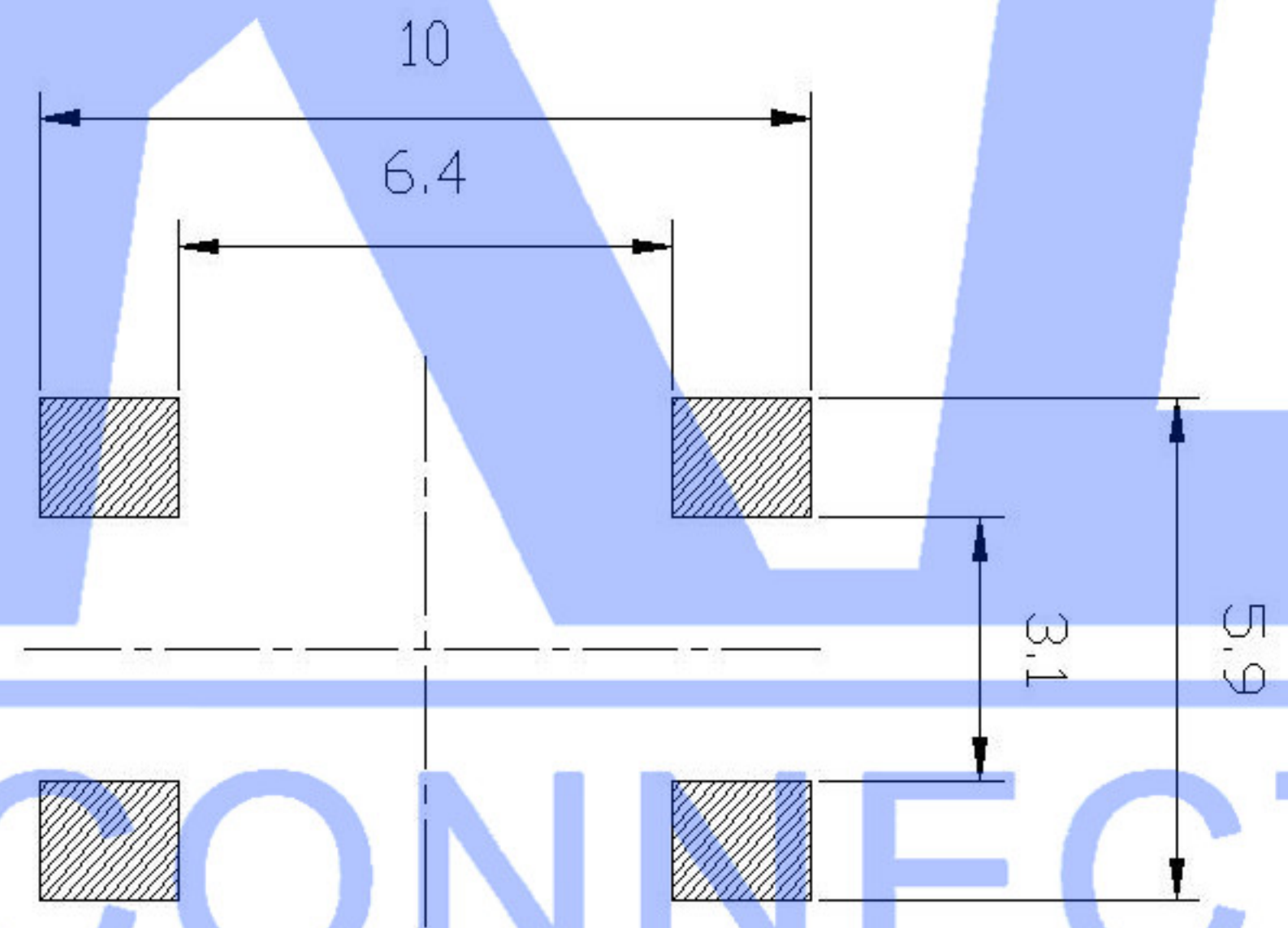


SPECIFICATION

Contact Rating: 50mA, 12V DC
 Contact Resistance: 100mΩ max
 Insulation Resistance: 100mΩ min. 500V DC
 Dielectric Strength: 250V AC/1 minute
 Travel: 0.25mm
 Operating Temp: -30°C ~ +85°C
 Storage Temp: -30°C ~ +80°C



P.C.B LAND DIMENSION



PAPT NO	TS-1159UB-X-X-X
Operating Force	A:100gf B:160gf C:260gf D:320gf E:400gf
Height	II:A:3.5 B:4.3 C:4.9 D:5.2
color	BL:blue W:white

⑤	Terminal	—	4	Brass (0.30t)	Plating silvering	—
④	Contact	—	1	F.ag/Sus	Natural	—
③	Base	—	1	Pa46		—
②	Cover	—	1	Spcc	Plating Nickel	—
①	Keystake	—	1	Silica gel		—
ITEM	PAPT NAMF	TER,NO	QTY	MATERIAL	FINISHING	REMARK

Δ X						units: mm
Δ X						tolerance: X.X ±0.2mm
Δ X						X.XX ±0.1mm
MARK	DESCRIPTION	DATE	REVISED	APPROVED		X.XXX ±0.05mm
REVISIONS						UNSPECIFIED TOLERANCES
www.xk-dg.cn www.helloxkb.com www.helloxkb.cn						

DSND		DATE		SCALE: N/A	MODEL TYPE: TACT SWITCH	
DWN		DATE		VIEW:	PART NO.:	
CHKD		DATE		UNIT: mm	DWG NO.:	
APPD		DATE		SIZE: A4	TS-1159UB-X-X-X	
XKB INDUSTRIAL PRECISION CO.,LIMITED				WEIGHT	SHEET	REVISION
				1.0g	1/1	A0