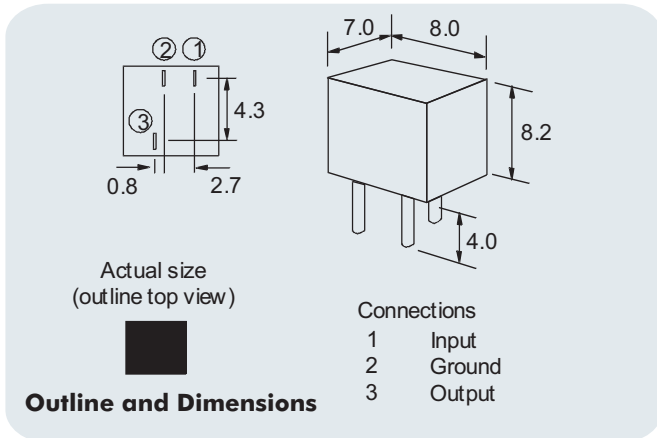
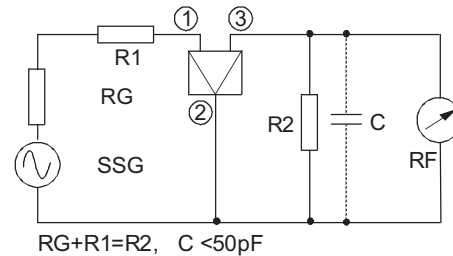


SPECIFICATION



TEST CIRCUIT



LPP450H (IFT Data)

③	④	①-②	②-③	④-⑥
②	⑤	60T	125T	28T
①		Qu		
		40		
		CT		
		180pF		

ELECTRICAL CHARACTERISTICS

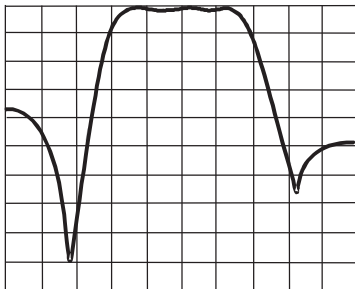
Part Number	Bandwidth 6dB (kHz) min.	Selectivity (dB) min.	Insertion Loss (dB) max.	Input/Output Impedance (Ω)	Centre Frequency (kHz)
LPP450D	±10	±20kHz	4.0	1500	450±1
LPP459D		off 40 (50)			459±1
LPP450F	±6.0	±12.5kHz	6.0	1500	450±1
LPP459F		off 40 (50)			459±1
LPP450G	±4.5	±9kHz	6.0	2000	450±1
LPP459G		off 30 (40)			459±1
LPP450H	±3.0	±9kHz	6.0	2000	450±1
LPP459H		off 40 (50)			459±1

Characteristics

() = typical values

430kHz to 480kHz

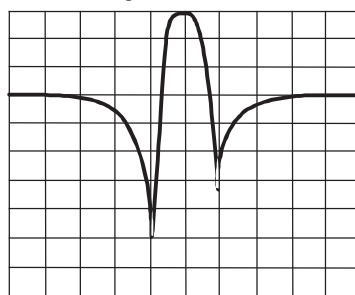
CH1 A/R logMAG 10dB/REF -50dB
CH2 A/R logMAG 1dB/REF -5dB



Start 430kHz Stop 480kHz

355kHz to 555kHz

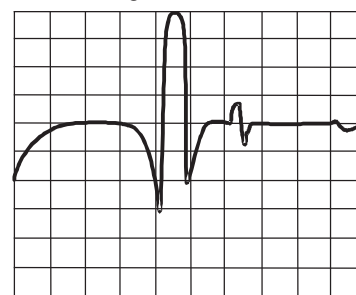
CH1 A/R logMAG 10dB/REF -50dB



Start 355kHz Stop 555kHz

10kHz to 10000kHz

CH1 A/R logMAG 10dB/REF -50dB



Start 10kHz Stop 1MHz