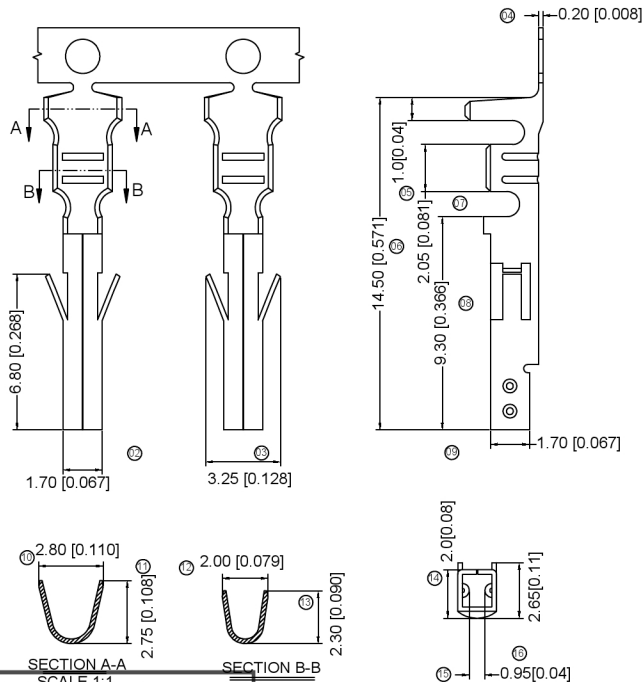


XKB



## Specifications:

规格: XKB  
**Voltage rating:** 600V AC/DC  
 额定电压: 600V AC/DC  
**Current rating:** 9A AC/DC  
 额定电流: 9A AC/DC  
**Withstanding voltage:** 1500V AC/minute  
 耐受电压: 1500V AC/分钟  
**Temperature range:** -25°C +85°C  
 温度范围: -25°C +85°C  
**Insulation resistance:** ≥1000MΩ  
 绝缘电阻: ≥1000MΩ  
**Contact resistance:** ≤10mΩ  
 接触电阻: ≤10mΩ  
**After environmental testing:** ≤20兆欧  
 环境测试后: ≤20兆欧

X9357 T F X-SN X-L  
 ① ② ③ ④ ⑤ ⑥ ⑦ ⑧ ⑨ ⑩

- 1 Series Number
- 2 Category: T-terminal
- 3 Shape: F-Female
- 4 Material: B-Brass; P-Phosphor Bronze
- 5 Plating style: SN-Bright tin plating
- 6 Plating method:  
Blank-Stamping before plating;
- 7 Special No: L-Normal Leads

X9357TF-PSN-L	Phosphor Bronze	AWG#18-24	12.10mm(Mao)	Stamping Before Plating 30μ MIN. Ni/50Sn MIN	X9357HM
X9357TF-BSN-L	Brass				
PART NO	Material	Wire Range	Insulation O.D	Finish	Suitable X KB

广东星坤科技股份有限公司

生	日期
發	
Δ	
文件工程章	

XKB	ANGLAR	±5°
	L ≤ 4	±0.2
	4 < L ≤ 16	±0.3
	16 < L ≤ 63	±0.4
	L > 63	±0.5
UNSPECIFIED TOLERANCES		

DSND	DATE	SCALE: N/A	MODEL TYPE:
DWNN	DATE	VIEW:	PART NO.:
CHKD	DATE	UNIT: mm/in	2.40mm Crimp Style Connectors
APPD	DATE	SIZE: A4	DWG NO.:
XKB INDUSTRIAL PRECISION CO., LIMITED			WEIGHT
			1.0g
			SHEET
			1/1
			REVISION
			A0

REVISIONS  
 DATE REVISED APPROVED  
 www.hkxkb.com