

规格说明: Specifications:

电气特性: Electrical:

1. 额定电流: Current Rating

3. 1A/contact terminal

2. 额定电压: Voltage Rating

30V DC

3. 接触阻抗: Contact Resistance

30 milliohms MAX

4. 耐电压: Dielectric Withstanding Voltage:

500 V AC AT Sea Level

5. 绝缘阻抗: Insulation Resistance:

1000MEGA ohms MIN

物理性能: Mechanical:

1. 插拔力: Connector Mate and Unmate Force

Mate force: 3.57kgf (MAX)

Unmate force: 1.02kgf (MIN)

2. 端子保持力: Terminal Retention

1.0kgf (MIN)

原材料: Material:

1. 塑胶: Housing:

Hing Temperature Thermoplastics,

2. 端子: Contact: Copper Alloy C2680

3. 外壳: Shell: Copper Alloy C2680/SPCC

电镀: Finish:

1. 端子: Contact: Plated Gold in Mating Area;

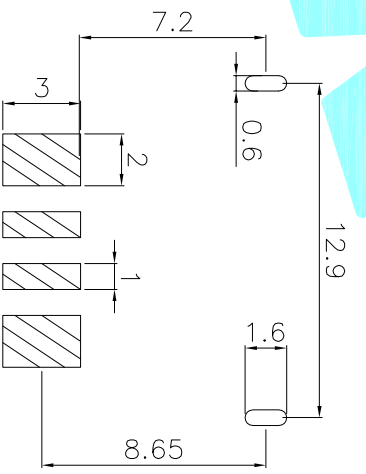
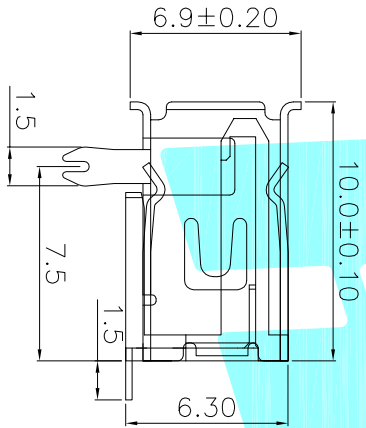
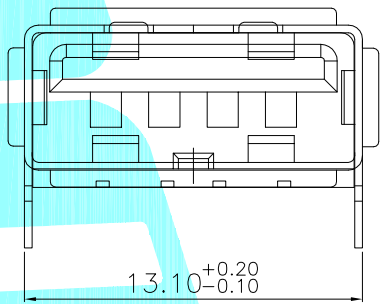
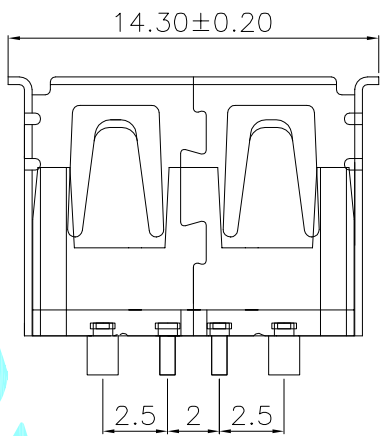
Tin On Solder Tails

端子四周镀50U" (MIN) 锡, 镀金区域镀100-200U" 镀金1U"

2. 外壳: Shell:

铜壳四周镀80U" (MIN) 锡

Nickel Plating



APPROVALS		DATE		 HIROSE ELECTRONICS CO., LTD				
DRAWN	D.J.LV	2017/12/26						
CHECKED								
APPROVALS				TITLE:	USB CONNECTOR			
				PART NO.:	U-A-24DS-Y-1			
TOLERANCES ARE				30~以上 ±0.30	ANGLE	UNIT: mm	SCALE: 1:1	PROJ:
				10~30 ±0.20				SHEET 1 OF 1
				5~10 ±0.15				
				~ 5 ±0.10	±2°	DRAWING NO.		
ECN NO.	REV.	DATE.	DESCRIPTION.	NEW				
	A							