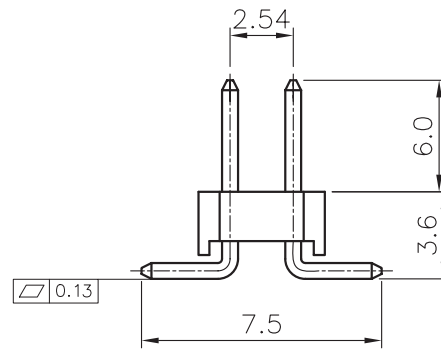


PCB LAYOUT - COMPONENT VIEW



TECHNICAL CHARACTERISTICS

MATERIAL
 INSULATOR: PA 6T
 FLAMABILITY RATING: UL94-V0
 COLOR: BLACK
 CONTACT MATERIAL: COPPER ALLOY
 CONTACT TYPE: STAMPED
 CONTACT PLATING: GOLD
 QUALITY CLASS: 3 AS PER CECC 75 301-802
 PITCH: 2.54MM

ENVIRONMENTAL
 OPERATING TEMPERATURE: -40 UP TO 125°C
 COMPLIANCE: LEAD FREE AND ROHS

ELECTRICAL
 CURRENT RATING: 3A
 WORKING VOLTAGE: 250V AC
 INSULATOR RESISTANCE: >1000 MOHM
 DIELECTRIC WITHSTANDING VOLTAGE: 500V AC/MN
 CONTACT RESISTANCE: 20 mOHM MAX

STANDARD
 CERTIFIED: E323964 / MODEL NUMBER 613-211

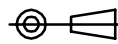
SOLDERING
 REFLOW PROCESS ONLY

PACKAGING
 TUBE

DIMENSION
 A = 2.54x (NB. PIN / 2 - 1)
 B = 2.54x (NB. PIN / 2)

RoHS Compliant

PROJECTION:



GENERAL TOLERANCE

.X = +/- 0.2
 .XX = +/- 0.15



APPROVAL: RJ

UNIT: MM

DESCRIPTION: 2.54MM DUAL SMT PIN HEADER

SCALE:

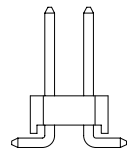
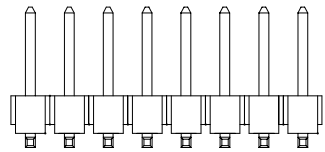
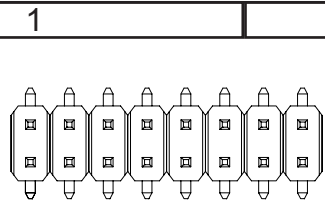
WERI PART NO: 610 0xx 211 21

SHEET: 1/2

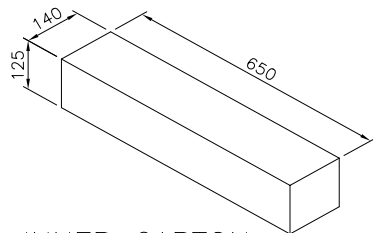
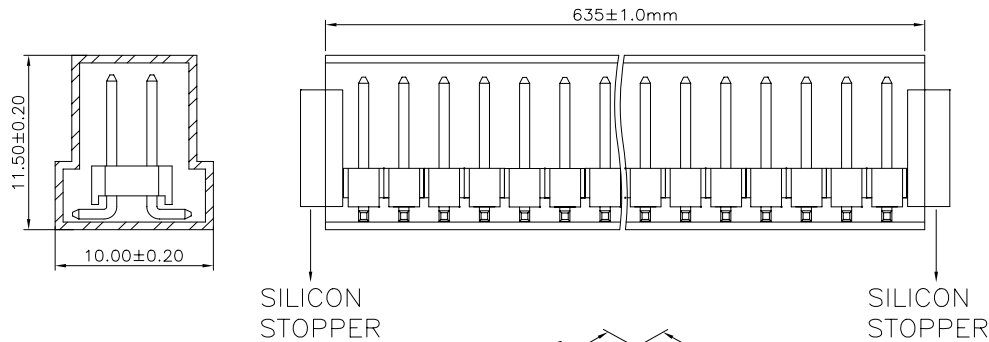
DRAW: PEARL

SIZE

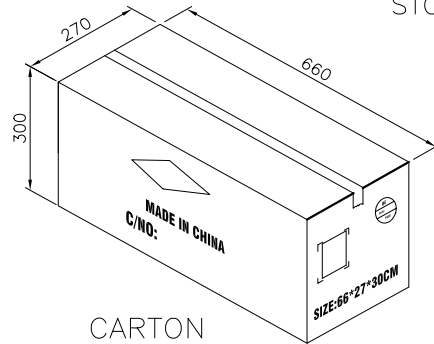
A4



Note:
 1,Dimension
 Tube Size: L=635mm
 Inner Carton Size:650(L)X140(W)X125(H) (mm)
 Carton Size:660(L)X270(W)X300(H) (mm)
 2,Quantity:
 110 Tube/Inner Carton
 4 Inner Carton/Carton



INNER CARTON

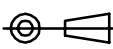


CARTON


Pin	Pcs/Tube	Pcs/Inner carton	Pcs/Carton	Pin	Pcs/Tube	Pcs/Inner carton	Pcs/Carton
4	125	13750	55000	44	11	1210	4840
6	81	8910	35640	46	10	1100	4400
8	60	6600	26400	48	10	1100	4400
10	48	5280	21120	50	9	990	3960
12	40	4400	17600	52	9	990	3960
14	34	3740	14960	54	9	990	3960
16	30	3300	13200	56	8	880	3520
18	27	2970	11880	58	8	880	3520
20	24	2640	10560	60	8	880	3520
22	22	2420	9680	62	7	770	3080
24	20	2200	8800	64	7	770	3080
26	18	1980	7920	66	7	770	3080
28	17	1870	7480	68	7	770	3080
30	16	1760	7040	70	6	660	2640
32	15	1650	6600	72	6	660	2640
34	14	1540	6160	74	6	660	2640
36	13	1430	5720	76	6	660	2640
38	12	1320	5280	78	6	660	2640
40	12	1320	5280	80	6	660	2640
42	11	1210	4840				

RoHS Compliant

G			
F			
E			
D			
C			
B			
A			
REV	DATE	FILE	BY

PROJECTION:

 APPROVAL: RJ

GENERAL TOLERANCE
 .X = +/- 0.2
 .XX = +/- 0.15
 UNIT: MM
 SCALE:
 SHEET: 2/2
 DRAW: PEARL



DESCRIPTION: 2.54MM DUAL SMT PIN HEADER
 WERI PART NO: 610 0xx 211 21

SIZE
A4