

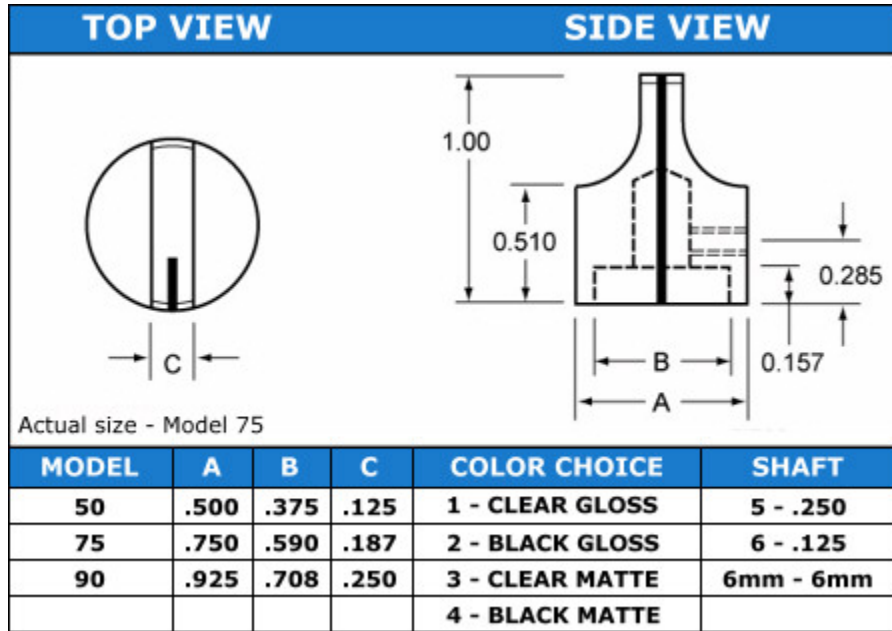
HD SERIES

Mechanical Specifications:



HD90 - Black Gloss, HD75 - Black Matte & Clear Gloss, HD50 - Clear Matte

HD Series: The design of the "HD Series" knob is unmistakably unique. The taller profile of this knob, along with ergonomically designed finger surface, distinguishes its self as a knob that has been specified on 1000's of high-end front panel applications. Partial top and full-length side saw cut indicator line. Two 6-32 set screws.



Copyright ©2003 Kilo International, Inc.

close