

# C CONNECTORS

## Operation:HDMI Connectors/(A Type)贴片立式 HDMI 连接器



LTEM NO.:HDMI-019L-S

(L15.7×W6.2×H10.5mm - HDMI SMT)

High Definition Multimedia Interface

表面贴装 SMT



### Technical parameter

PROJECT	LEVEL	A[better product]	B[average product]
	Contact Rating	0.25A, 12V DC	
Electrical	Initial Contact Resistance	50mΩ max.	
Properties	Insulation Resistance	100MΩ min.500V DC	Skey/PD: 100MΩ min.300V DC
	Withstand Voltage	500V AC for 1 minute	350 V AC for 1 minut
Durable Performance	There No Load	6,000 Cycles	5,000 Cycles
	Rated Load	5,000 Cycles	4,000 Cycles
	Storage temp.	-35℃~+75℃(Operating Temp: )	
	Operating Force	IF:35N MAX. (EF:10.0N MIN.)	
	Heat Rrsistance	IR Reflow:255℃, 5sec. Manual:350℃, 3sec.	

正向操作

精密部品 NICETY

可靠 STABILIZE

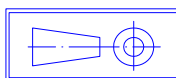
適合環保 RoHS

No	NAME	Description
①	HOUSING	LCP 耐热塑胶[Black]
②	SHELL	黄铜 C2680/SPCC[镀镍 100u" min]t=0.30
③	CONTACT3	磷铜 C5191(镀金 1u" /锡基 50u)t=0.15
④	CONTACT4	磷铜 C5191(镀金 1u" /锡基 50u)t=0.15

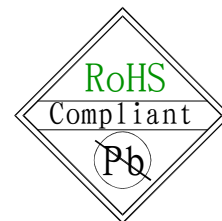
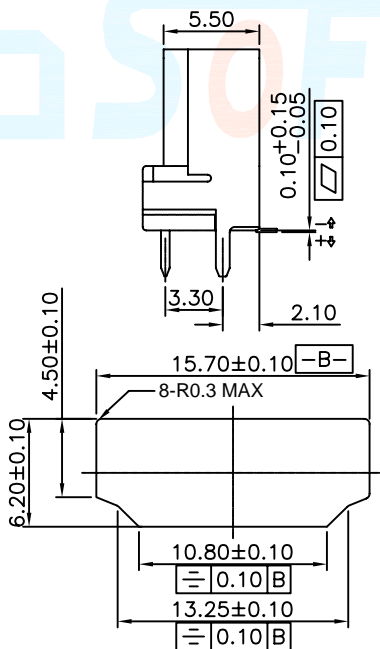
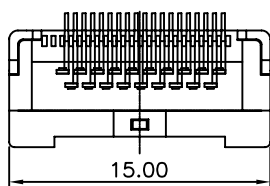
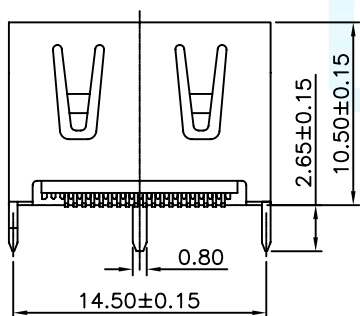
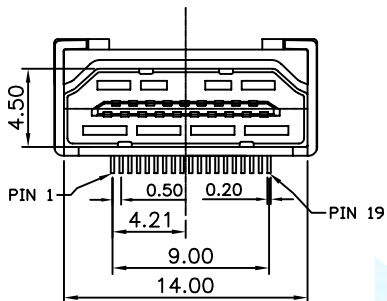
### SIGNAL

Pin No.	A Type(HDMI)
1	TMDS Data 2+
2	TMDS Data 2 Shield
3	TMDS Data 2-
4	TMDS Data 1+
5	TMDS Data 1 Shield
6	TMDS Data 1-
7	TMDS Data 0+
8	TMDS Data 0 Shield
9	TMDS Data 0-
10	TMDS Clock+
11	TMDS Clock Shield
12	TMDS Clock-
13	CEC
14	Reserved (N.C.)
15	SCL
16	SDA
17	DDC/CEC Ground
18	+5V Power
19	Hot Plug Detect

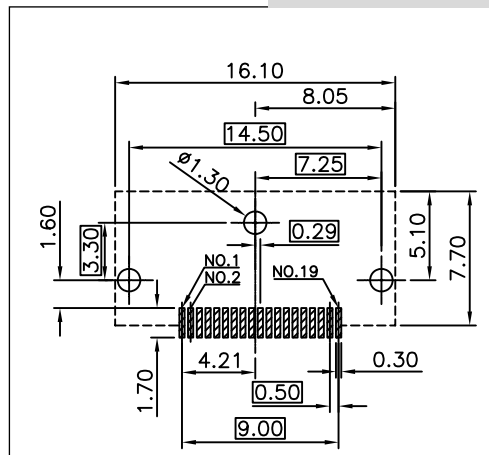
Unit:mm



尺寸范围	未注公差值
0~3	±0.1
3~6	±0.15
6~9	±0.2
9~12	±0.25
12~15	±0.3



### P.C.B LAYOUT



RECOMMENDED PANNEL CUT OUT DIMENSION