

NEW



ES5 Series

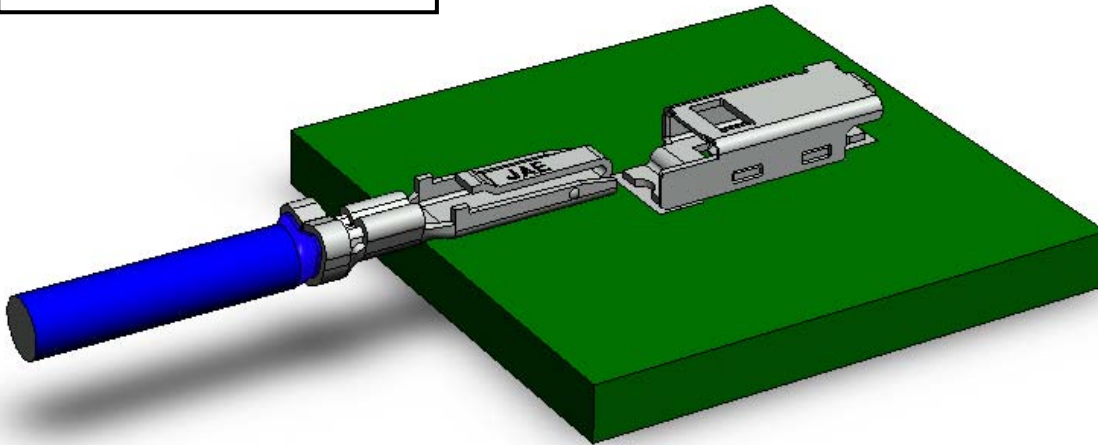
(cULus Certified Product)

CONNECTOR

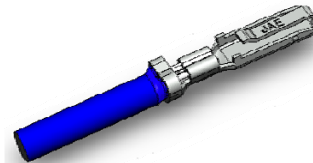
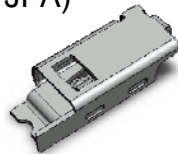
MB-0246-3

May 2013

RoHS Compliant




Socket (ES5S001JFA)

 Plug (ES5P09K5FA: 24 to 26AWG)
 (ES5P09K4F2: 22AWG)


The ES5 Series is a compact, low-profile 1-pin connector that is compatible with stranded cable. This connector is perfect for use in a wide range of applications including LED lighting, LCD TV backlight, tablet PC, and other compact devices. The ES5 Series is cULus Certified Product.

Features

- cULus certification: File No. E351164 
- No insulator, low-profile design (connector height: 1.6mm).
- Detachable locking structure (connector retention strength: 16N min.).
- Mis-mating prevention structure.
- Receptacle is available in embossed reel packaging for automated mounting.
- RoHS compliant.
- Exclusively for stranded cable.

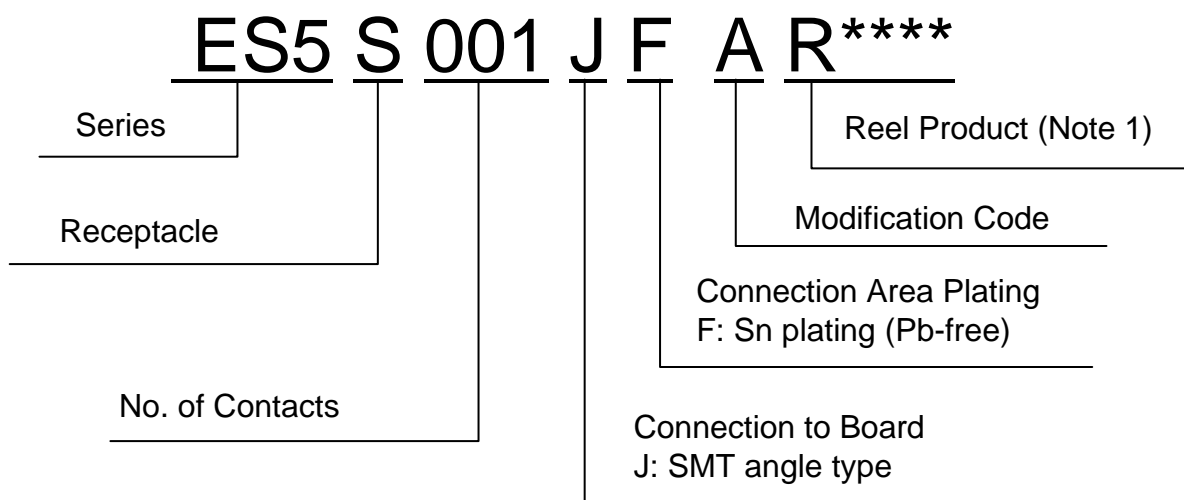
General Specifications

- | | |
|--|--|
| ■ No. of Contacts: 1 position | ■ Operating Temperature:
-40 Deg. C to +105 Deg. C |
| ■ Contact Resistance: 30mΩmax. (initial) | ■ Applicable Wire: |
| ■ Rated Current: | (1) ES5P09K5FA: 24 to 26AWG
(Outer cable diameter: 1.6 to 0.9 mm) |
| AC / DC 4A
(when using 24 to 26AWG) | (2) ES5P09K4F2: 22AWG
(Outer cable diameter: 1.6 to 0.9 mm) |
| AC / DC 6A
(when using 22AWG) | |
| ■ Mating Cycles: 20 times | *Please contact us concerning applicable cable. |

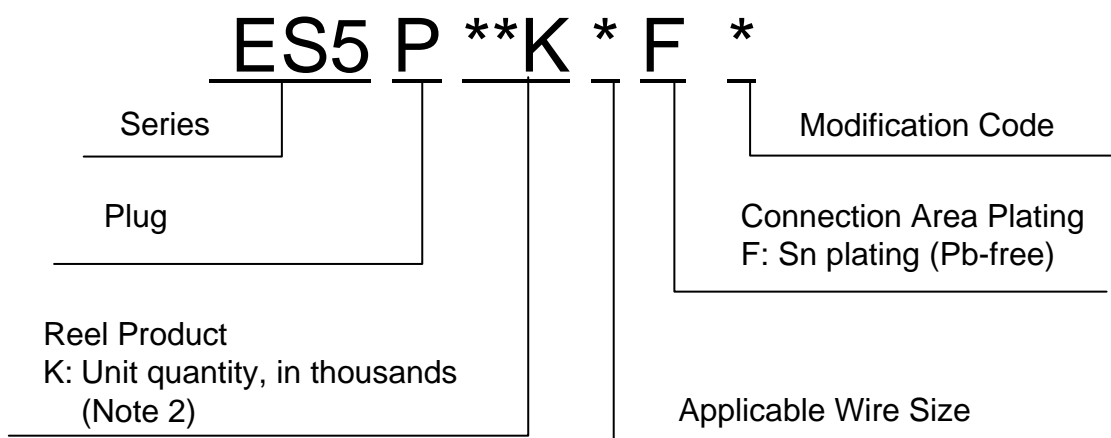
Materials and Finishes

Component	Material / Finish
Socket Contact Plug Contact	Copper alloy / Sn plating

Ordering Information



Note 1: An embossed tape reel contains 5,500 pieces.

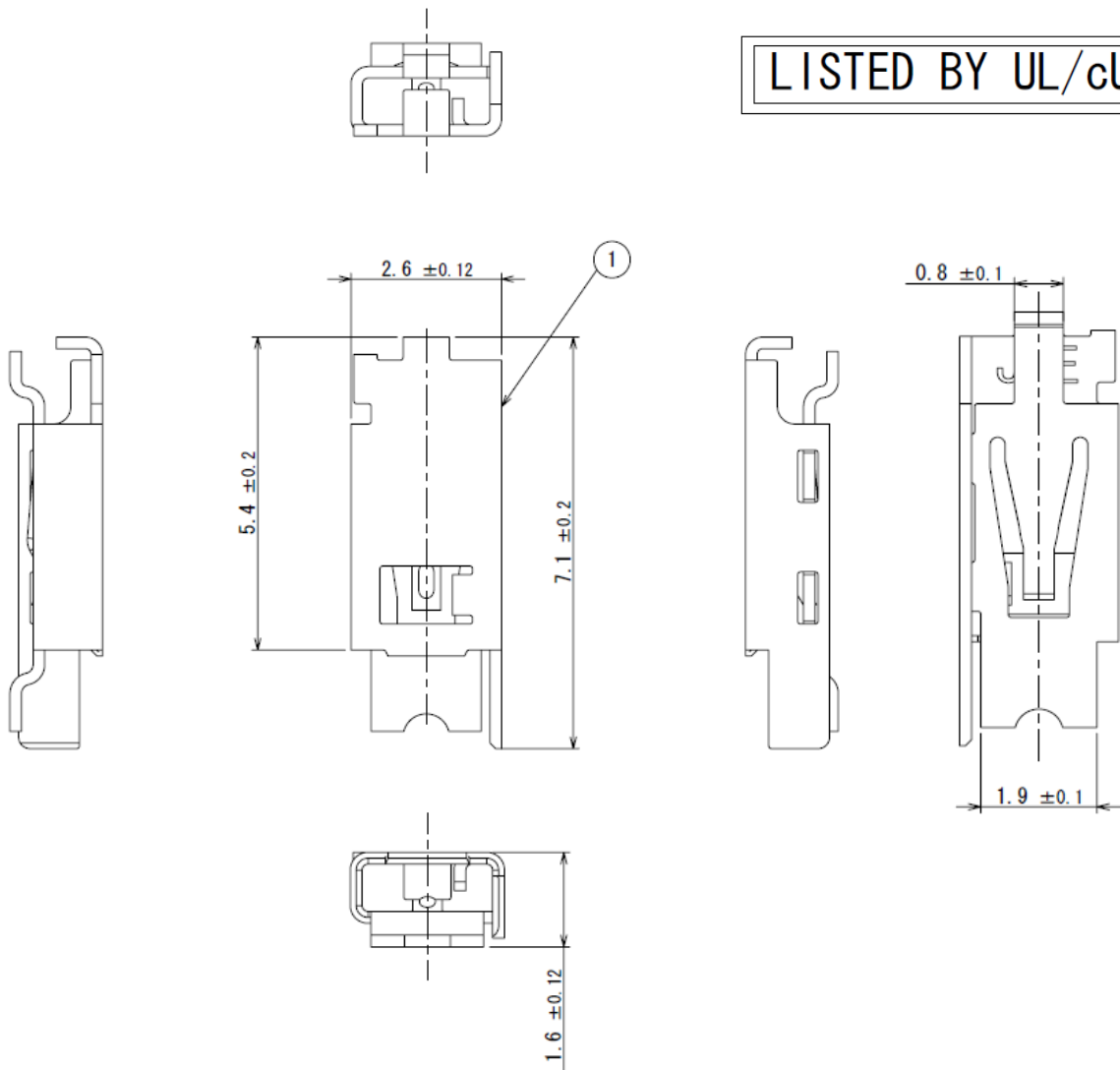


Note 2: An embossed tape reel contains 9,000 pieces.

Product Drawing

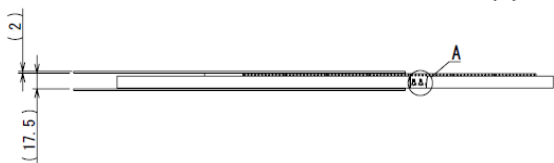
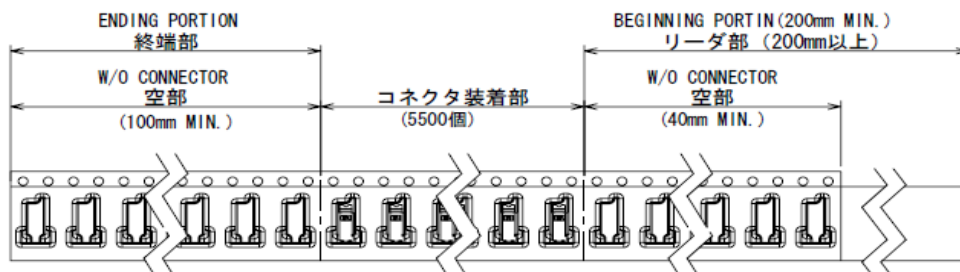
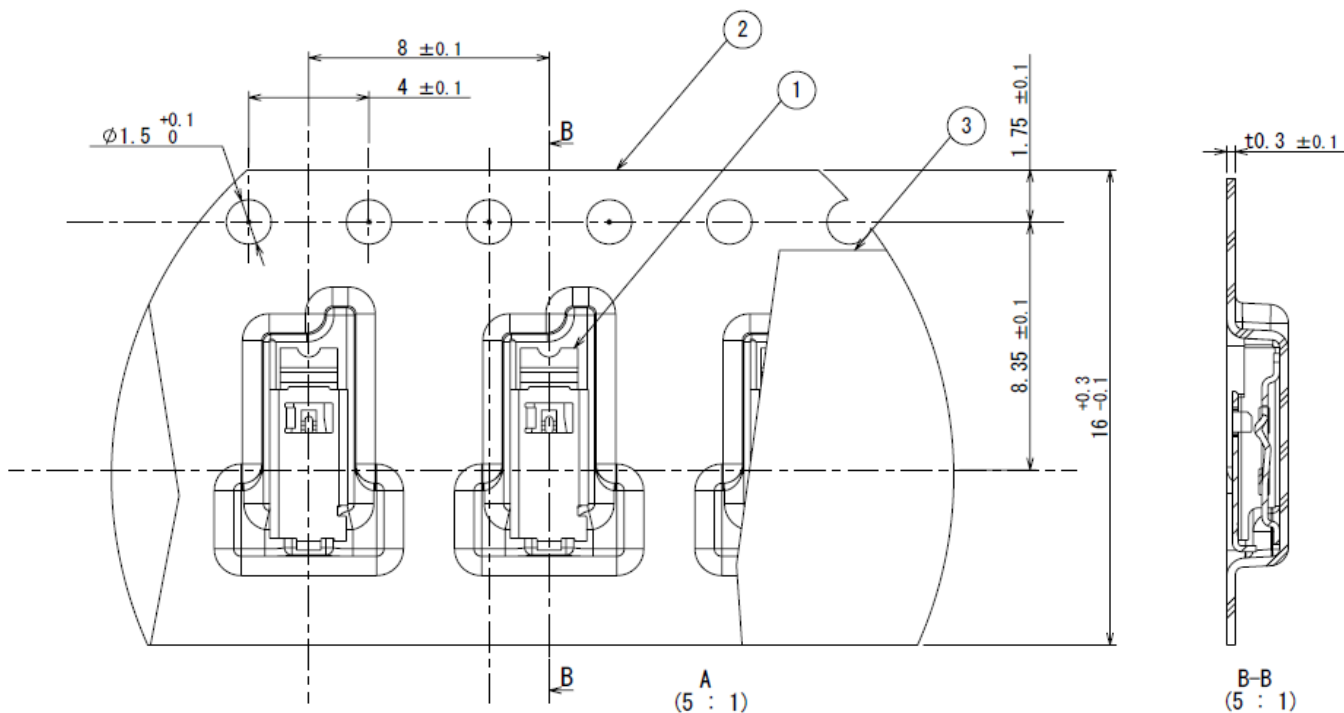
Part Number	ES5S001JFA
Drawing No.	SJ112415

LISTED BY UL/cUL

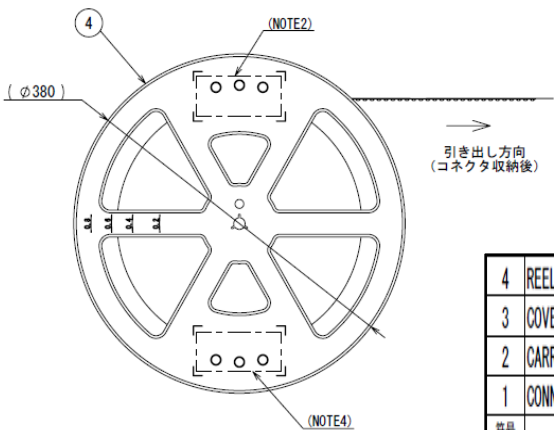


1	CONNECTOR	1	COPPER ALLOY	LEAD-FREE TIN PLATING	
符号 NO.	名称 DESCRIPTION	数量 QTY.	材料 MATERIAL	仕上 FINISH	備考 REMARKS

Part Number	ES5S001JFAR5500
Drawing No.	SJ112416



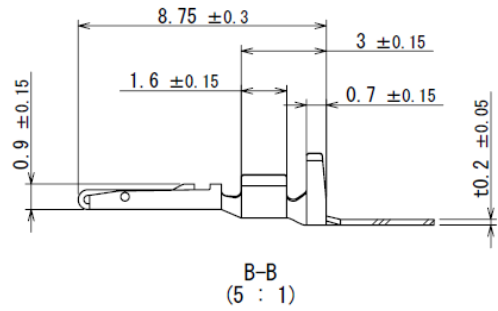
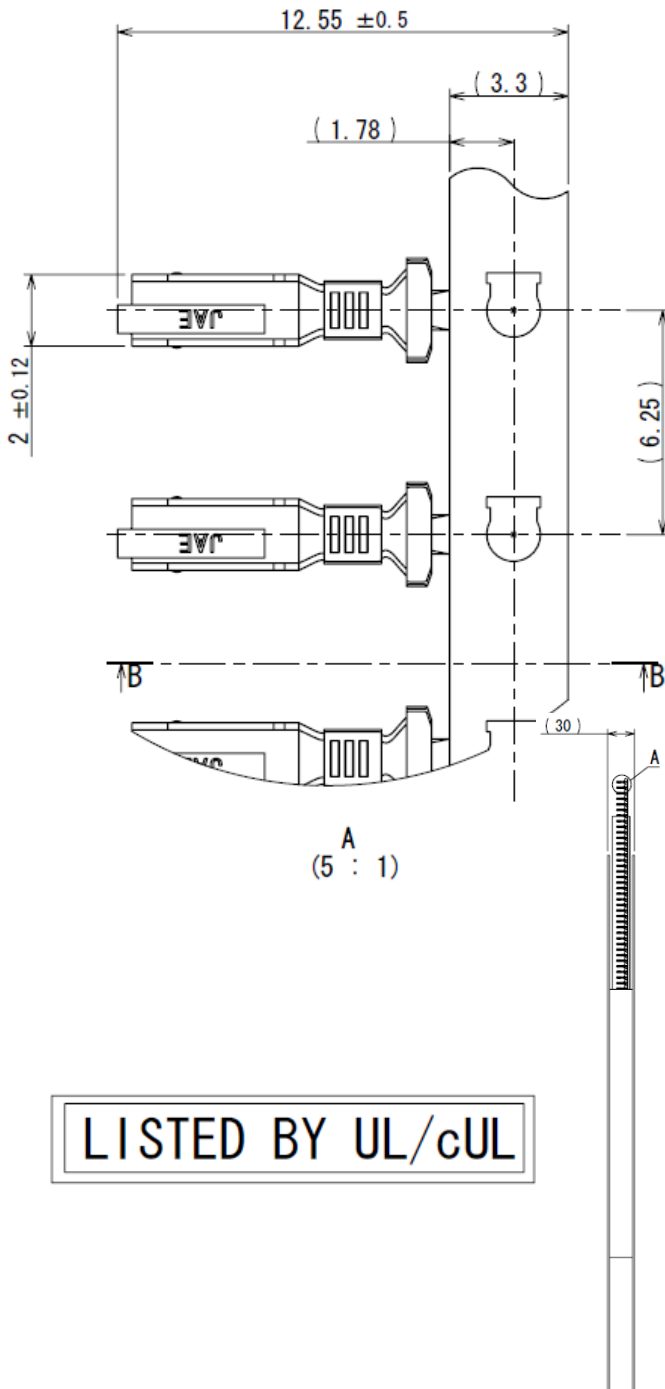
LISTED BY UL/cUL



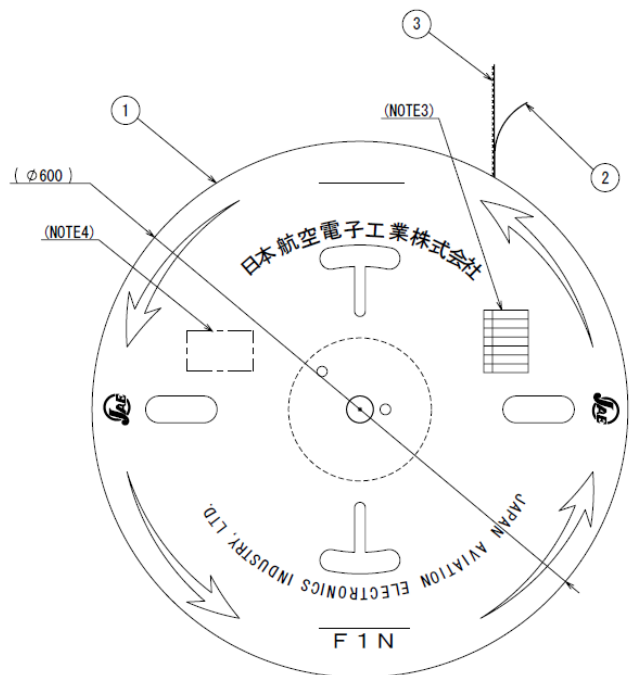
Note 4) A label showing the necessary information for cULus products is placed in this area.

4	REEL	1	POLYSTYRENE			
3	COVER TAPE	1	POLYESTER			
2	CARRIER TAPE	1	POLYSTYRENE			
1	CONNECTOR	5500	COPPER ALLOY	LEAD-FREE TIN PLATING	ES5S001JFA(SJ112415)	
符号 No.	名称 DESCRIPTION	個数 QTY.	材料 MATERIAL	仕上 FINISH	備考 REMARKS	

Part Number	ES5P09K5FA
Drawing No.	SJ112417



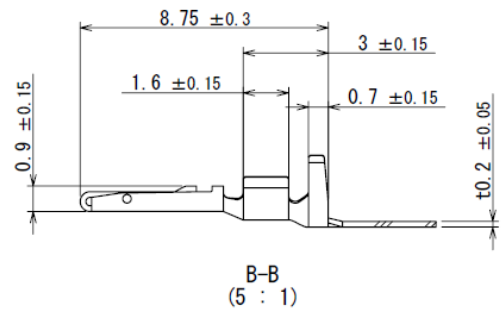
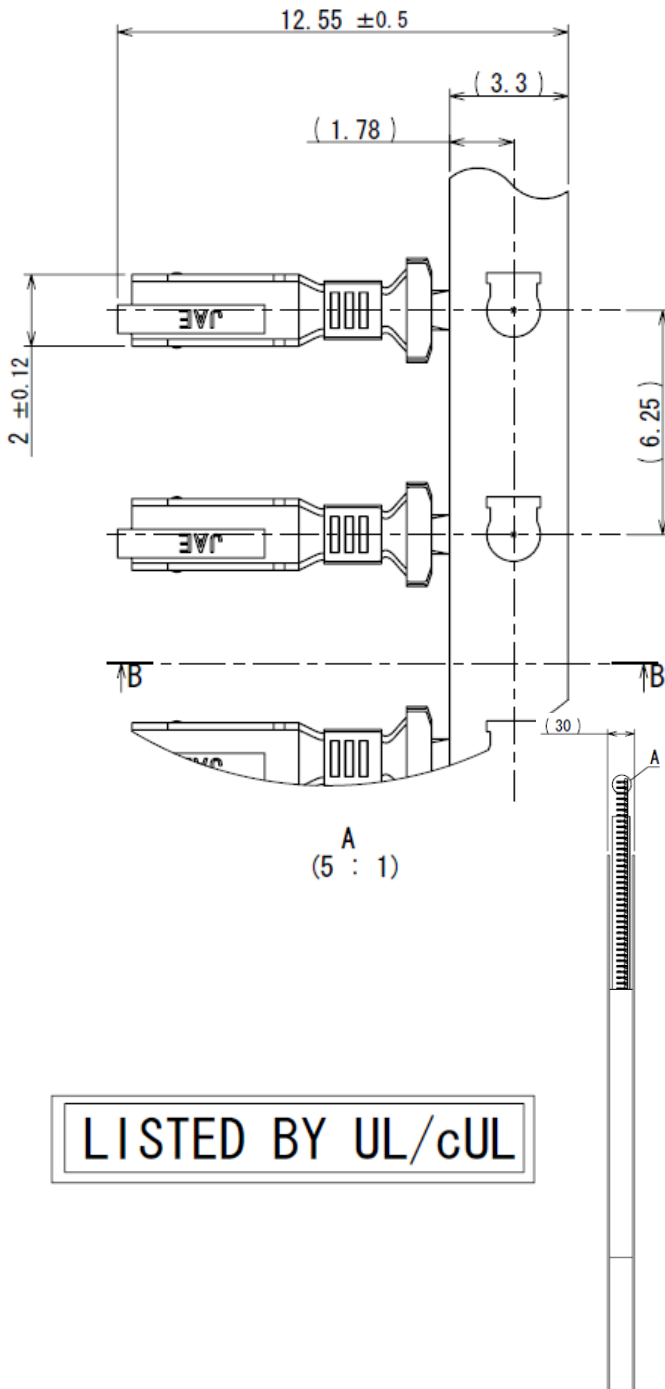
Applicable wire: 24AWG to 26AWG
Outer cable diameter: 1.6 to 0.9mm



Note 4) A label showing the necessary information for cULus products is placed in this area.

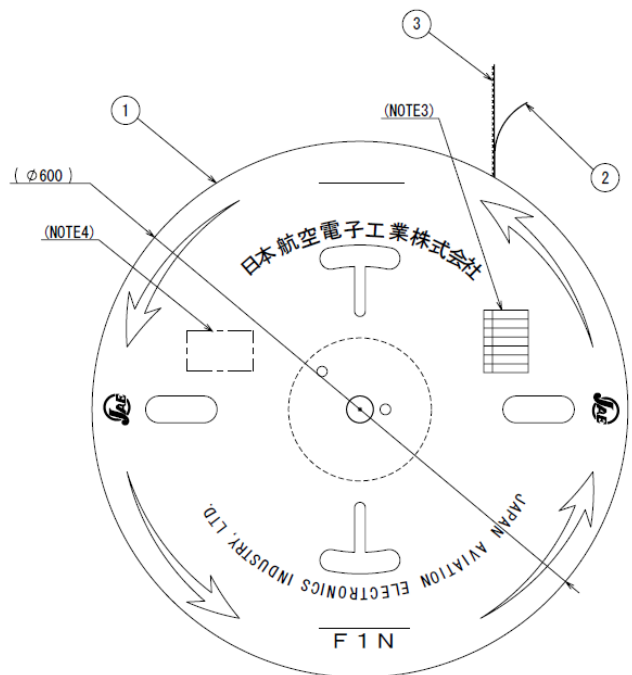
3	CONTACT	9000	COPPER ALLOY	LEAD-FREE TIN PLATING	
2	PAPER TAPE	1	PAPER		
1	REEL	1	PAPER		
符号 NO.	名称 DESCRIPTION	個数 QTY.	材料 MATERIAL	仕上 FINISH	備考 REMARKS

Part Number	ES5P09K4F2
Drawing No.	SJ113264



Applicable wire: 22AWG
Outer cable diameter: 1.6 to 0.9mm

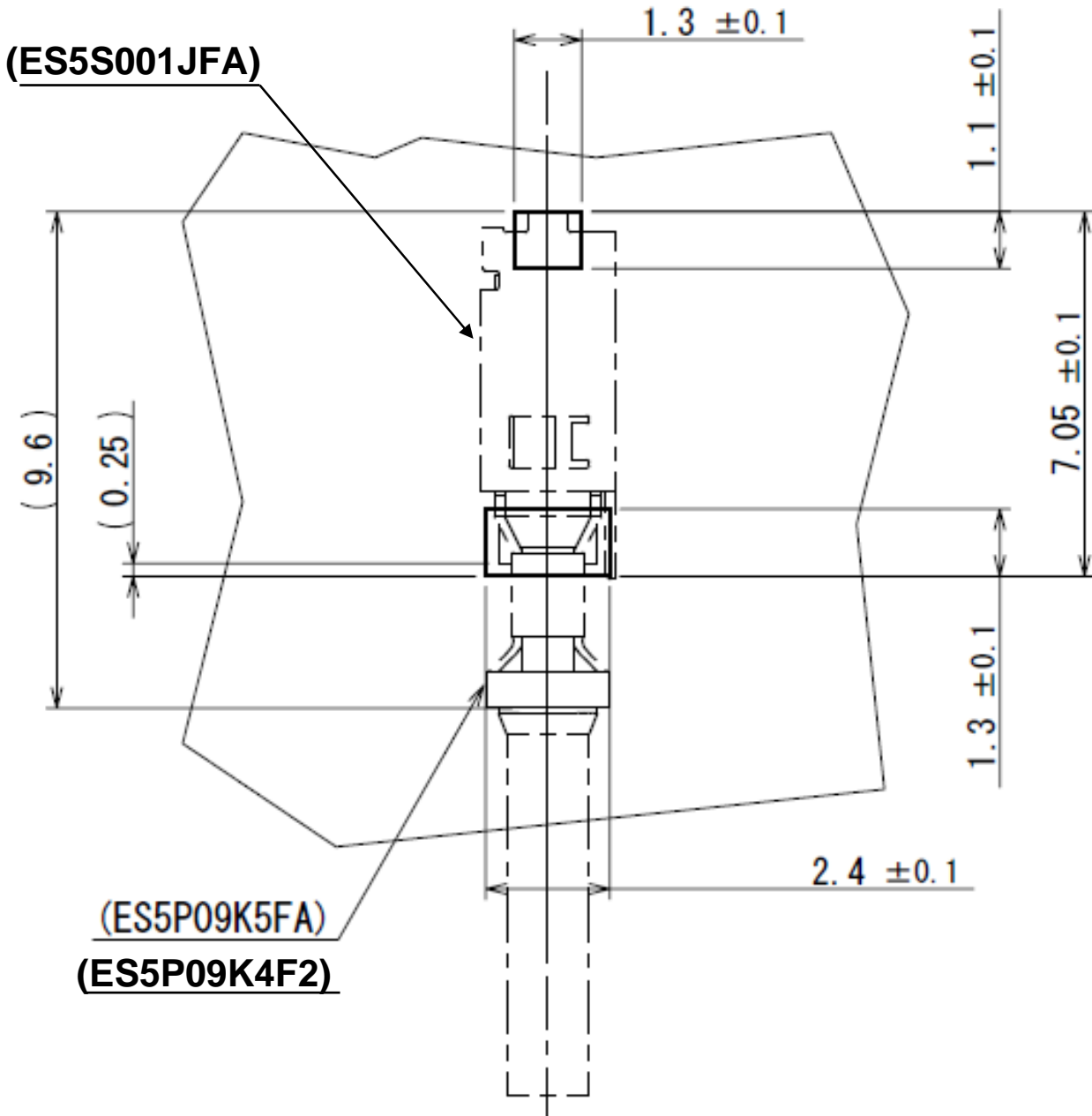
LISTED BY UL/cUL



Note 4) A label showing the necessary information for cULus products is placed in this area.

符号 NO.	名称 DESCRIPTION	個数 QTY.	材料 MATERIAL	仕上 FINISH	備考 REMARKS
3	CONTACT	9000	COPPER ALLOY	LEAD-FREE TIN PLATING	
2	PAPER TAPE	1	PAPER		
1	REEL	1	PAPER		

Applicable Board Dimensions (for reference)



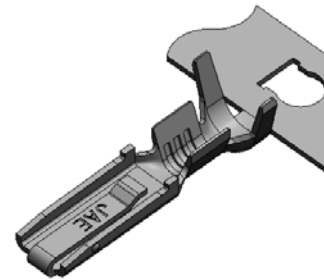
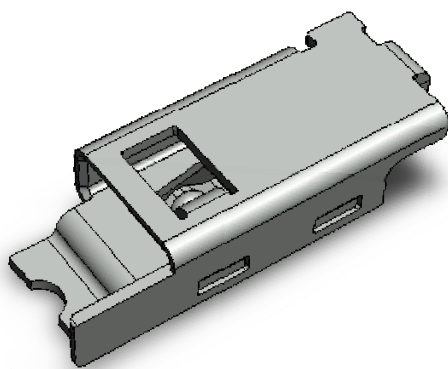
APPLICABLE P. C. B. DIMENSION (REF)
 適合基板寸法 (参考)
 (5 : 1)

ES5 Mating Combinations

cULus Certified Product

Crimp Terminal (Plug)

Board Side Terminal (Socket)

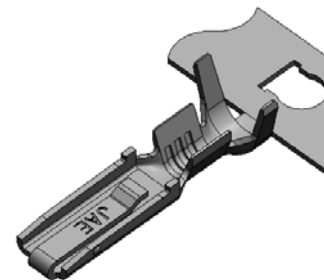


ES5P09K5FA
24 to 26AWG

cULus Certified Product 

ES5S001JFAR5500

cULus Certified Product 



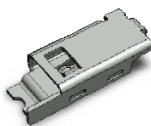
ES5P09K4F2
22AWG

cULus Certified Product 

Standard Product (cULus non-compliant)

Board Side Terminal (Socket)

Crimp Terminal (Plug)



ES5S001JF1R5500 (Note 1)

ES5P09K5F1 (Note 1)
24 to 28AWG

Note 1) For more information please refer to our brochure for the ES5 Series (Standard Product) (MB-0243-2).

Technical Documents	
	Technical Document No. (Contents of Document)
SJ Drawing	SJ112415 (ES5 socket, individual product) SJ112416 (ES5 socket, embossed packaging product) SJ112417 (ES5 plug, applicable wire: 24AWG to 26AWG) SJ113264 (ES5 plug, applicable wire: 22AWG)
Specifications	JACS-10914 (ES5, applicable wire: 24AWG to 26AWG) JACS-10946 (ES5, applicable wire: 22AWG)
Handling Instructions	JAHL-10914 (ES5, applicable wire: 24AWG to 26AWG) JAHL-10946 (ES5, applicable wire: 22AWG)
Crimp Applicator Handling Instructions	T703470 (for semi-automatic crimping machine) *Please contact us for handling instructions for full-automatic crimping machine.
Hand-crimp Tool Handling Instructions	T700316
Removal Jig Handling Instructions	T711179

Notice:

- The values specified in this brochure are only for reference. The products and their specifications are subject to change without notice. Contact our sales staff for further information before considering or ordering any of our products. For purchase, a product specification must be agreed upon.
- Users are requested to provide protection circuits and redundancy circuits to ensure safety of the equipment, and sufficiently review the suitability of JAE's products to the equipment.
- The products presented in this brochure are designed for the uses recommended below. We strongly suggest you contact our sales staff when considering use of any of the products in any other way than the recommended applications or for a specific use that requires an extremely high reliability.
 - Applications that require consultation:
 - Please contact us if you are considering use involving a quality assurance program that you specify or that is peculiar to the industry, such as:
Automotive electrical components, train control, telecommunications devices (mainline), traffic light control, electric power, combustion control, fire prevention or security systems, disaster prevention equipment, etc.
 - We may separately give you our support with a quality assurance program that you specify, when you think of a use such as:
Aviation or space equipment, submarine repeaters, nuclear power control systems, medical equipment for life support, etc.
 - Recommended applications include:
Computers, office appliances, telecommunications devices (terminals, mobile units), measuring equipment, audiovisual equipment, home electric appliances, factory automation equipment, etc

Japan Aviation Electronics Industry, Limited

Product Marketing Division
Aobadai Building, 3-1-19, Aobadai, Meguro-ku, Tokyo 153-8539
Phone: +81-3-3780-2882 FAX: +81-3-3780-2946

* The specifications in this brochure are subject to change without notice. Please contact JAE for information.