

# SMTD-500H

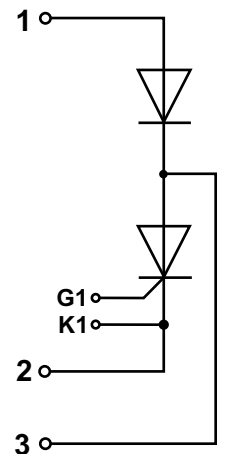
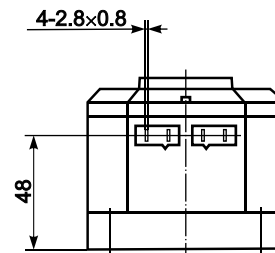
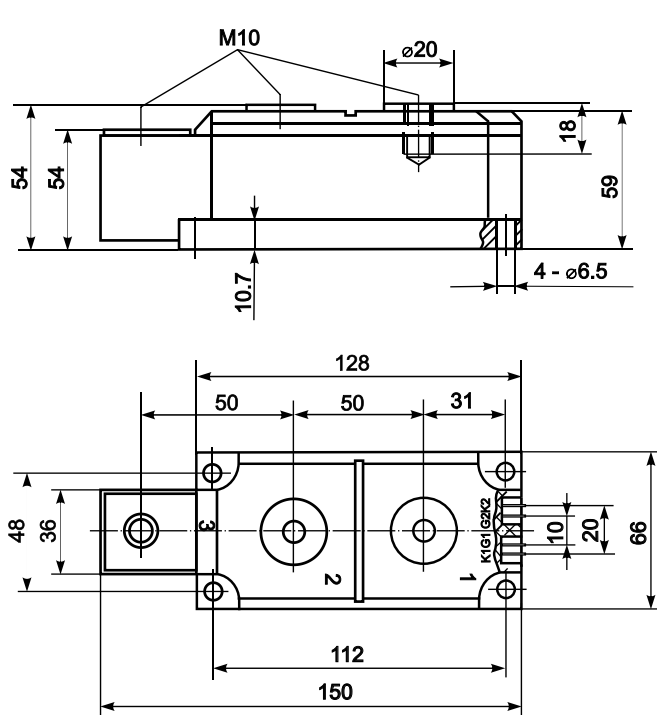


## Thyristor-Diode Module



Type	$V_{RSM}$	$V_{RRM}$ , $V_{DRM}$
SMTD-500H-08	1000	800
SMTD-500H-12	1400	1200
SMTD-500H-14	1600	1400
SMTD-500H-16	1800	1600
SMTD-500H-18	2000	1800
SMTD-500H-20	2200	2000
SMTD-500H-22	2400	2200
SMTD-500H-24	2600	2400

Type	$I_{TAVM}$ , $I_{FAVM}$	$I_{TRMS}$ , $I_{FRMS}$	$T_C$	$I_{TSM}^1$ , $I_{FSM}$	$(di/dt)_{cr}$	$(dv/dt)_{cr}$	$V_{TM}$	$I_{TM}$ , $I_{FM}$	$V_{TO}$	$r_T$	$t_q$	$V_{GT}$	$I_{GT}$	$T_{VJM}$	$V_{isol}$	$R_{thJC}$
	A	A	°C	kA	A/ $\mu$ s	V/ $\mu$ s	V	kA	V	m $\Omega$	$\mu$ s	V	mA	°C	V	K/W
SMTD-500H	500	800	85	16.0	100	800	1.44	1.5	0.85	0.38	350	3.0	300	125	2500	0.065



### Features:

- Industrial standard package
- Heat transfer through aluminium nitride ceramic isolated metal baseplate
- Precise internal pressure contacts for high reliability
- 2500V RMS isolation voltage

### Typical Applications:

- DC motor control
- AC motor soft starter
- Temperature control (e.g. for ovens, chemical processes)
- Lighting control