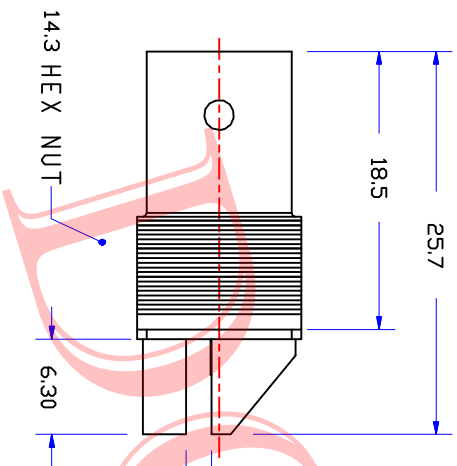
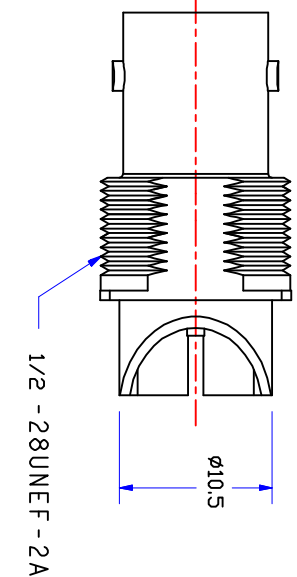
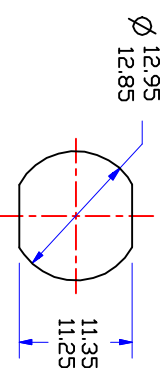
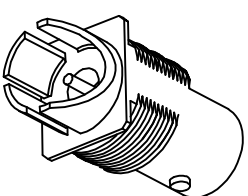




Product NO.		DOSIN-801-0074		
REV	DESCRIPTION	DMN	DATE	APPROVEN
A	First Issue	JTM	2012/11/02	John Kline



此卡板宽度1.75
+0.05/-0.05



RECOMMENDED
PANEL CUT-OUT

SCALE 2/1

Specifications

Impedance: 75 Ohms
 Frequency Range: DC~3G
 VSWR: 1.3MAX
 Working Voltage: 500V rms @ sea level
 Insulation Resistance: 5000 Ohms min
 Temperature Range: -55°C TO +155°C
 Relative Temperature: ≤95% (40° C ±2° C)
 Drawings products are in line with ROHS standards

3	801-074-BY-ZN-ZI	ZINC	NICKEL	1	DRAWN	Zelln. Zhang	2012/11/10	View	0-6 6-30 90-120 Angular ±2°	±0.10 ±0.20 ±0.40	MM	1:1	Name:	BNC CONNECTOR		REV	
2	801-074-PN-CJ-AU	Brass	GOLD	1	CHECKED			UNT					SIZE	Product NO.	DOSIN-801-0074	B	
1	801-074-IN-PK-WE	POM	White	1	APPROVALS	JOHN	12/04.2012	SCALE					DATE			1 OF 1	
ND	DESCRIPTION	MATERIAL	FINISH	QTY	KING								DATE	2012/11/02	CAD FILE	D/company drawings/RD	SHEET:

NOTE:

DOSIN
 Dosing Industrial(H.K.)Co.,Ltd
 Dosing Hardware Electronics Co.,Ltd
 E-mail: dosin@20099168.com
 dosin2009@dosing-hk.com
 dosin2009@dosing-hk.com
 Web: http://www.dosin.com
 TEL: (0086) 769-81153905
 FAX: (0086) 769-81878836